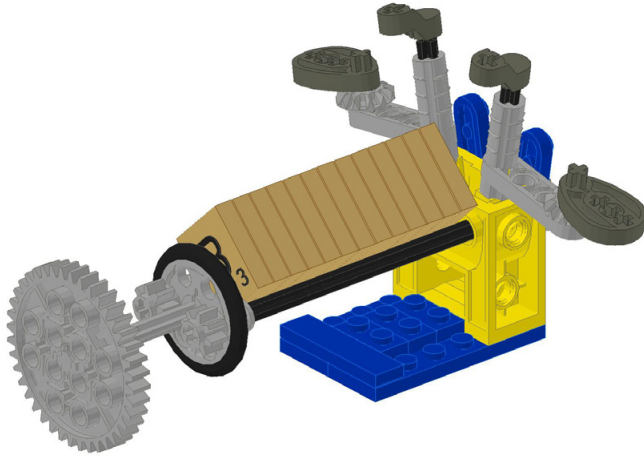
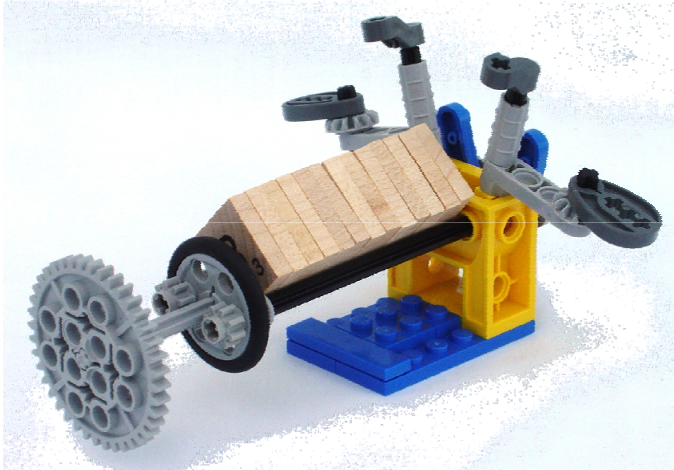


Potter Carrier

1	2	3	4																																																																								
<p>Parts List</p> <table border="1"> <thead> <tr> <th>Step</th> <th>Qty</th> <th>Description</th> </tr> </thead> <tbody> <tr><td>1</td><td>2</td><td>Plate 2x6</td></tr> <tr><td>2</td><td>1</td><td>Tile 1x4</td></tr> <tr><td>2</td><td>3</td><td>Plate 1x2</td></tr> <tr><td>3</td><td>2</td><td>Axle 12</td></tr> <tr><td>3</td><td>2</td><td>Bevel Gear - 12 tooth</td></tr> <tr><td>4</td><td>2</td><td>Rotor 1x5</td></tr> <tr><td>5</td><td>2</td><td>90 degree - axle</td></tr> <tr><td>5</td><td>2</td><td>Liftarm 1x4</td></tr> <tr><td>6</td><td>1</td><td>Gearbox 2x4x3.3</td></tr> <tr><td>7</td><td>2</td><td>Axle Joiner</td></tr> <tr><td>7</td><td>2</td><td>Axle 2 - notched</td></tr> <tr><td>7</td><td>2</td><td>Crankshaft</td></tr> <tr><td>8</td><td>2</td><td>Axle 2 - notched</td></tr> <tr><td>8</td><td>2</td><td>Bevel Gear - 12 tooth</td></tr> <tr><td>8</td><td>2</td><td>Cam - axle</td></tr> <tr><td>9</td><td>2</td><td>Bushing - 1/2</td></tr> <tr><td>10</td><td>1</td><td>Wheel - thin</td></tr> <tr><td>10</td><td>1</td><td>Tire - thin wheel</td></tr> <tr><td>10</td><td>2</td><td>Gear - 8 tooth</td></tr> <tr><td>11</td><td>1</td><td>Axle 5</td></tr> <tr><td>12</td><td>1</td><td>Gear - 40 tooth</td></tr> <tr><td>13</td><td>13</td><td>Scrabble® Tile</td></tr> </tbody> </table>				Step	Qty	Description	1	2	Plate 2x6	2	1	Tile 1x4	2	3	Plate 1x2	3	2	Axle 12	3	2	Bevel Gear - 12 tooth	4	2	Rotor 1x5	5	2	90 degree - axle	5	2	Liftarm 1x4	6	1	Gearbox 2x4x3.3	7	2	Axle Joiner	7	2	Axle 2 - notched	7	2	Crankshaft	8	2	Axle 2 - notched	8	2	Bevel Gear - 12 tooth	8	2	Cam - axle	9	2	Bushing - 1/2	10	1	Wheel - thin	10	1	Tire - thin wheel	10	2	Gear - 8 tooth	11	1	Axle 5	12	1	Gear - 40 tooth	13	13	Scrabble® Tile		5	6
Step	Qty	Description																																																																									
1	2	Plate 2x6																																																																									
2	1	Tile 1x4																																																																									
2	3	Plate 1x2																																																																									
3	2	Axle 12																																																																									
3	2	Bevel Gear - 12 tooth																																																																									
4	2	Rotor 1x5																																																																									
5	2	90 degree - axle																																																																									
5	2	Liftarm 1x4																																																																									
6	1	Gearbox 2x4x3.3																																																																									
7	2	Axle Joiner																																																																									
7	2	Axle 2 - notched																																																																									
7	2	Crankshaft																																																																									
8	2	Axle 2 - notched																																																																									
8	2	Bevel Gear - 12 tooth																																																																									
8	2	Cam - axle																																																																									
9	2	Bushing - 1/2																																																																									
10	1	Wheel - thin																																																																									
10	1	Tire - thin wheel																																																																									
10	2	Gear - 8 tooth																																																																									
11	1	Axle 5																																																																									
12	1	Gear - 40 tooth																																																																									
13	13	Scrabble® Tile																																																																									
13			7																																																																								
12	11	10	9																																																																								