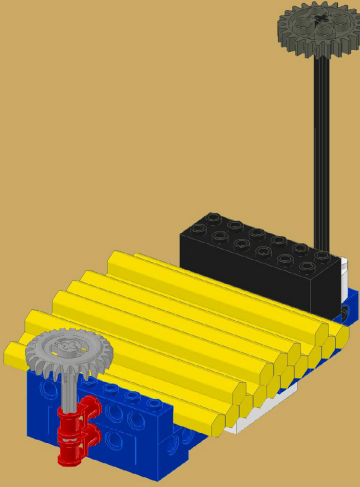
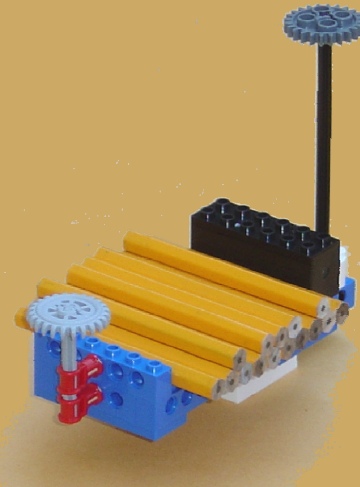
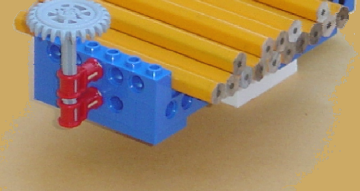
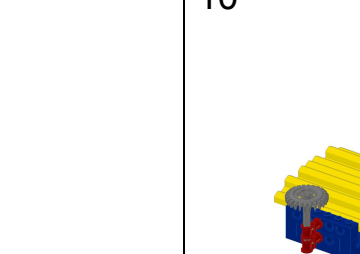
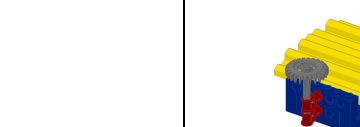


# Cherry Carrier

1	2	3	4																																																									
<p><b>Parts List</b></p> <table border="1"> <thead> <tr> <th>Step</th> <th>Qty</th> <th>Description</th> </tr> </thead> <tbody> <tr><td>1</td><td>1</td><td>Brick 1x8 - holes</td></tr> <tr><td>1</td><td>2</td><td>Pin</td></tr> <tr><td>2</td><td>1</td><td>Brick 1x8 - holes</td></tr> <tr><td>3</td><td>1</td><td>Brick 2x4</td></tr> <tr><td>3</td><td>1</td><td>Round Brick 2x2</td></tr> <tr><td>4</td><td>1</td><td>Axle 12</td></tr> <tr><td>4</td><td>1</td><td>Gear - 24 tooth</td></tr> <tr><td>5</td><td>2</td><td>Plate 2x6</td></tr> <tr><td>6</td><td>2</td><td>Brick 1x12 - holes</td></tr> <tr><td>6</td><td>1</td><td>Plate 2x6</td></tr> <tr><td>7</td><td>1</td><td>Weight 2x6x2</td></tr> <tr><td>8</td><td>1</td><td>Brick 1x4 - holes</td></tr> <tr><td>8</td><td>1</td><td>Brick 1x6 - holes</td></tr> <tr><td>8</td><td>2</td><td>Axle Pin</td></tr> <tr><td>9</td><td>2</td><td>Connector - double axle 90 degree</td></tr> <tr><td>9</td><td>1</td><td>Axle 5</td></tr> <tr><td>9</td><td>1</td><td>Crown Gear - 24 tooth</td></tr> <tr><td>10</td><td>15</td><td>EARLY Wood</td></tr> </tbody> </table>		Step	Qty	Description	1	1	Brick 1x8 - holes	1	2	Pin	2	1	Brick 1x8 - holes	3	1	Brick 2x4	3	1	Round Brick 2x2	4	1	Axle 12	4	1	Gear - 24 tooth	5	2	Plate 2x6	6	2	Brick 1x12 - holes	6	1	Plate 2x6	7	1	Weight 2x6x2	8	1	Brick 1x4 - holes	8	1	Brick 1x6 - holes	8	2	Axle Pin	9	2	Connector - double axle 90 degree	9	1	Axle 5	9	1	Crown Gear - 24 tooth	10	15	EARLY Wood		5
Step	Qty	Description																																																										
1	1	Brick 1x8 - holes																																																										
1	2	Pin																																																										
2	1	Brick 1x8 - holes																																																										
3	1	Brick 2x4																																																										
3	1	Round Brick 2x2																																																										
4	1	Axle 12																																																										
4	1	Gear - 24 tooth																																																										
5	2	Plate 2x6																																																										
6	2	Brick 1x12 - holes																																																										
6	1	Plate 2x6																																																										
7	1	Weight 2x6x2																																																										
8	1	Brick 1x4 - holes																																																										
8	1	Brick 1x6 - holes																																																										
8	2	Axle Pin																																																										
9	2	Connector - double axle 90 degree																																																										
9	1	Axle 5																																																										
9	1	Crown Gear - 24 tooth																																																										
10	15	EARLY Wood																																																										
			6																																																									
			7																																																									
			8																																																									
			9																																																									
			10																																																									