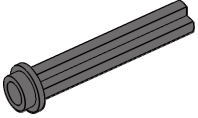
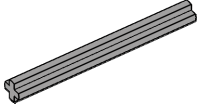
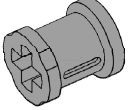

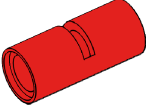
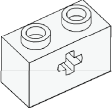
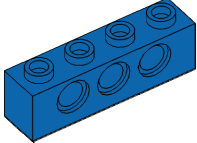
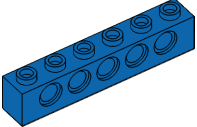

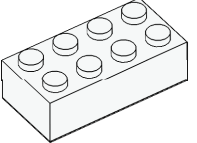
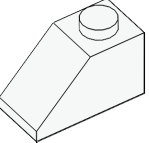
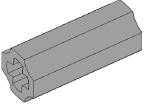
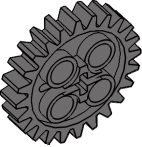
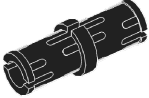
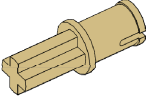
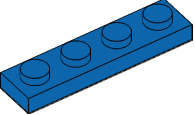
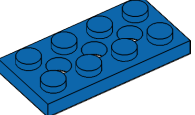
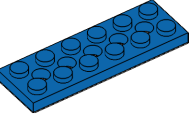
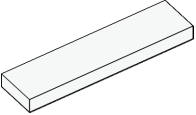

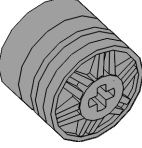

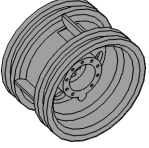




Trench Carrier



Trench Carrier

<p>2x</p>  <p>Axle 3 Stud Dark Gray</p>	<p>2x</p>  <p>Axle 5 Light Gray</p>	<p>2x</p>  <p>Bushing Light Gray</p>	<p>2x</p>  <p>Bushing 1/2 Yellow</p>	<p>2x</p>  <p>Bushing Spacer Red</p>				
<p>2x</p>  <p>Brick 1x2 Axle Hole White</p>	<p>2x</p>  <p>Brick 1x4 Holes Blue</p>	<p>1x</p>  <p>Brick 1x6 Holes Blue</p>	<p>2x</p>  <p>Brick 1x16 Holes Blue</p>	<p>2x</p>  <p>Brick 2x4 White</p>	<p>2x</p>  <p>Brick Slope 1x2 White</p>	<p>1x</p>  <p>Connector Union Light Gray</p>		
<p>1x</p>  <p>Gear - 24 Tooth Dark Gray</p>	<p>2x</p>  <p>Pin Slots Black</p>	<p>2x</p>  <p>Pin - Axle Tan</p>	<p>4x</p>  <p>Plate 1x4 Blue</p>	<p>3x</p>  <p>Plate 2x4 Holes Blue</p>	<p>7x</p>  <p>Plate 2x6 Holes Blue</p>	<p>1x</p>  <p>Plate 1x4 Tile White</p>	<p>1x</p>  <p>Steering Arm Black</p>	
<p>2x</p>  <p>Wheel - Rim Small Light Gray</p>	<p>2x</p>  <p>Wheel - Tire Small Black</p>	<p>2x</p>  <p>Wheel - Rim Large Light Gray</p>	<p>2x</p>  <p>Wheel - Tire Large Black</p>	<p>10x</p>  <p>SeaBot White</p>				

Trench Carrier

1
of 15

3x

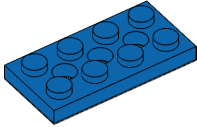


Plate 2x4
Holes
Blue

1x

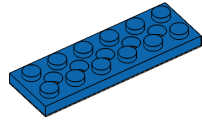
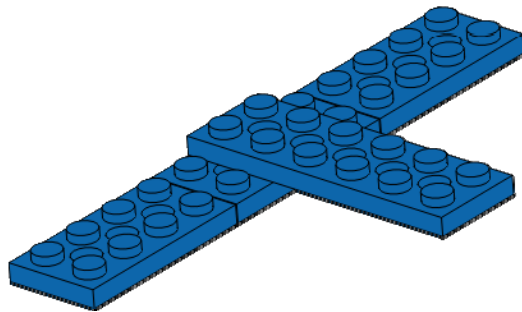


Plate 2x6
Holes
Blue



Trench Carrier

2
of 15

6x

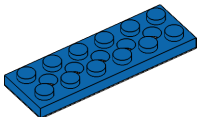
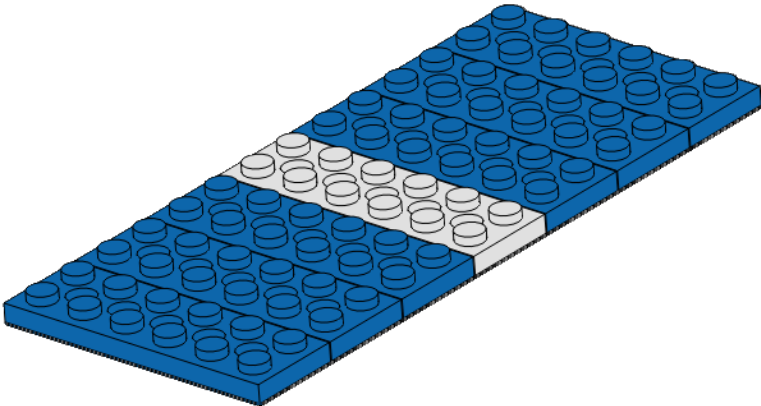
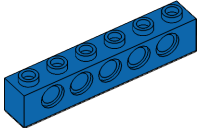
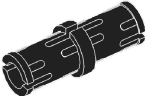
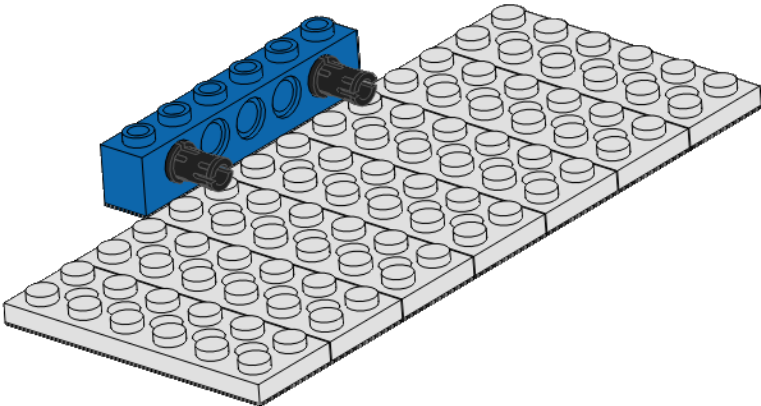


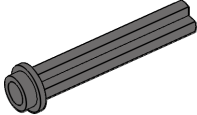


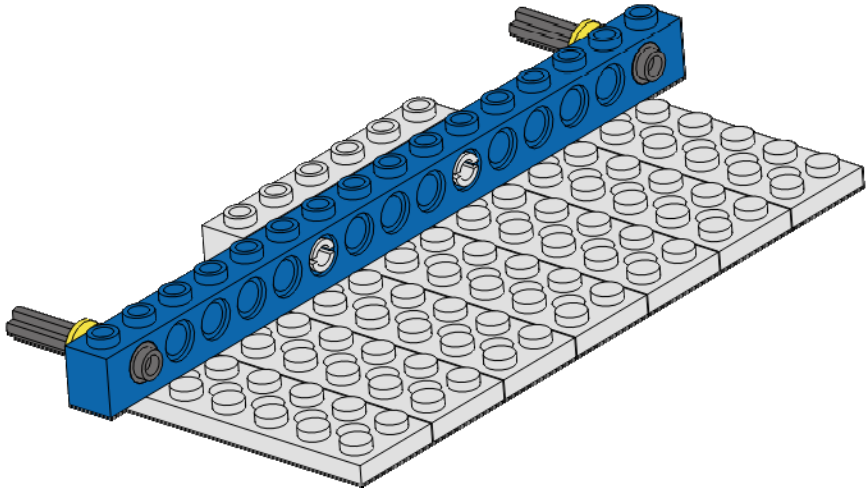
Plate 2x6
Holes
Blue



Trench Carrier

<p>3 of 15</p>	<p>1x</p>  <p>Brick 1x6 Holes Blue</p>	<p>2x</p>  <p>Pin Slots Black</p>	
			

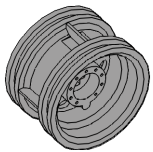
Trench Carrier

<p>4 of 15</p>	<p>2x</p>  <p>Axle 3 Stud Dark Gray</p>	<p>1x</p>  <p>Brick 1x16 Holes Blue</p>	<p>2x</p>  <p>Bushing 1/2 Yellow</p>	
				

Trench Carrier

5
of 15

2x

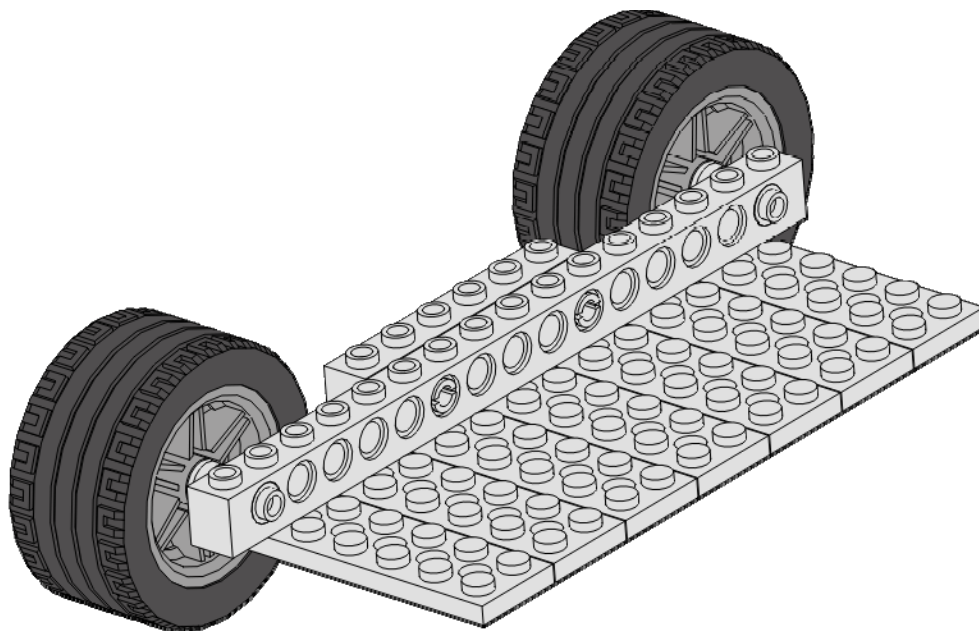


Wheel - Rim
Large
Light Gray

2x



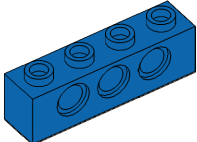
Wheel - Tire
Large
Black



Trench Carrier

6
of 15

2x



Brick 1x4
Holes
Blue

2x

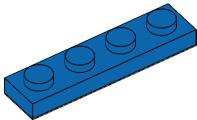
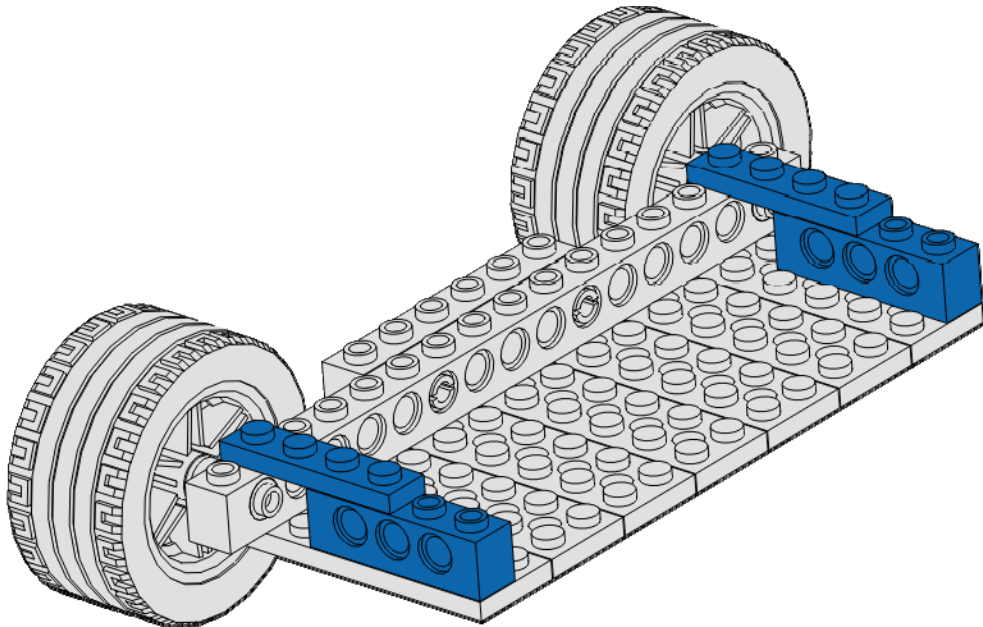
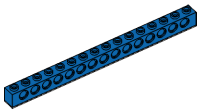
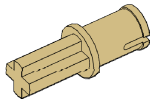
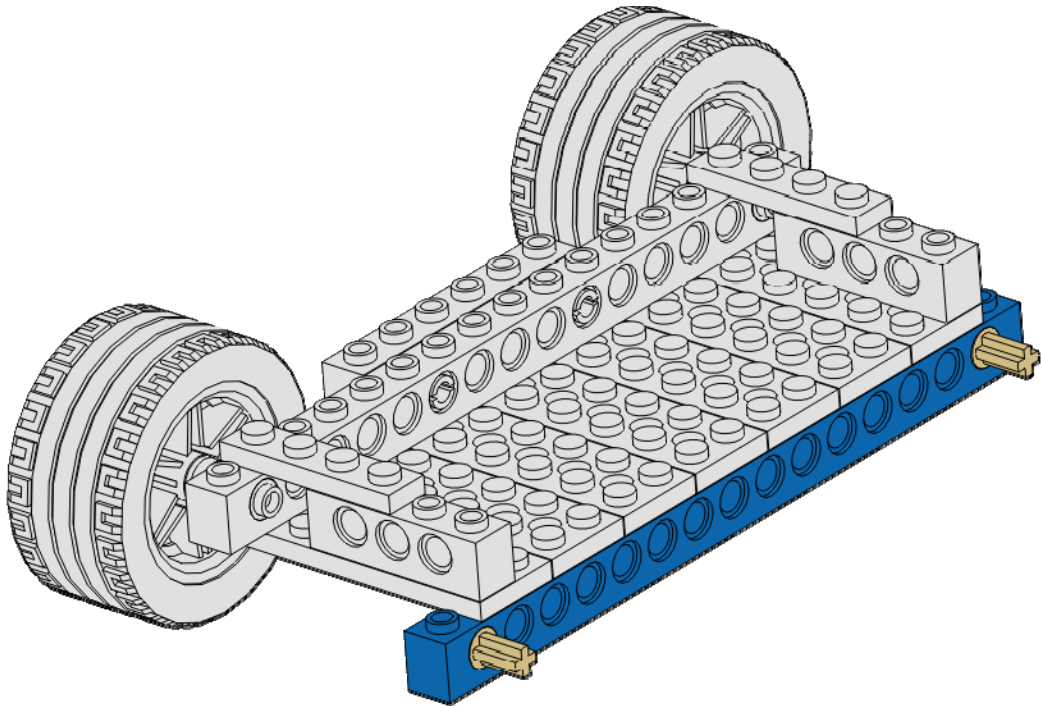


Plate 1x4
Blue



Trench Carrier

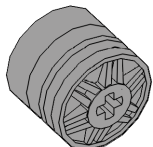
<p>7 of 15</p>	<p>1x</p>  <p>Brick 1x16 Holes Blue</p>	<p>2x</p>  <p>Pin - Axle Tan</p>	
--------------------	--	---	--



Trench Carrier

8
of 15

2x

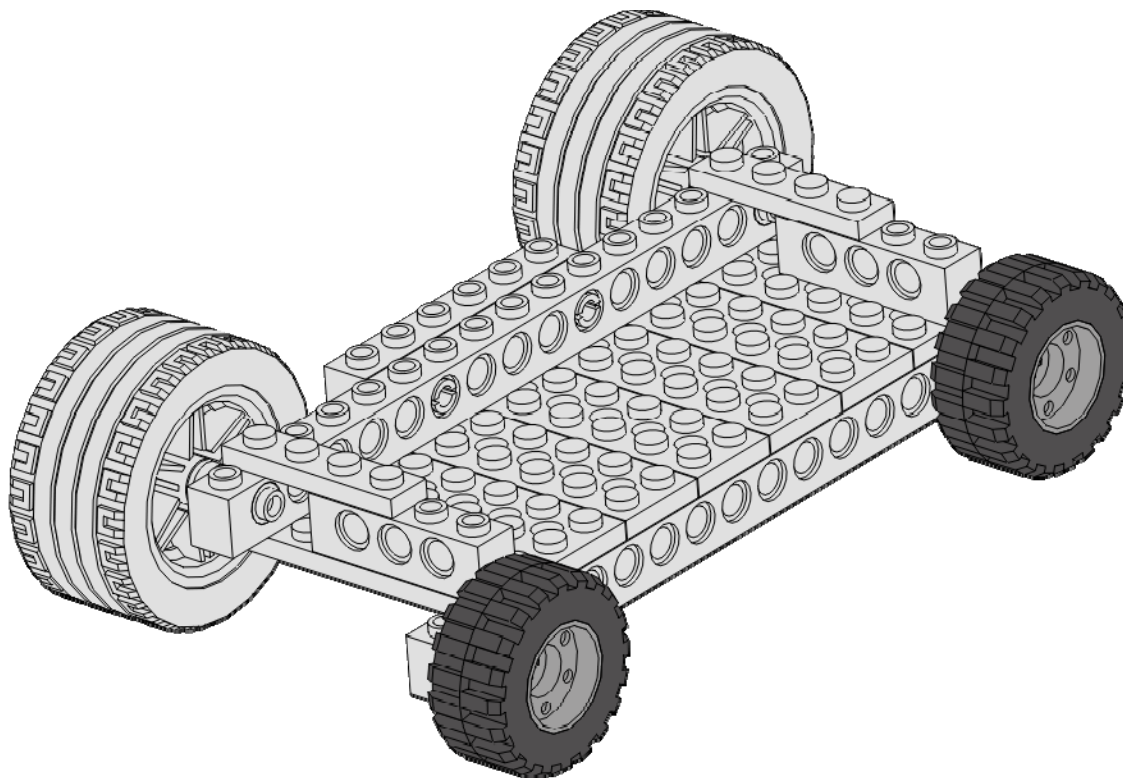


Wheel - Rim
Small
Light Gray

2x



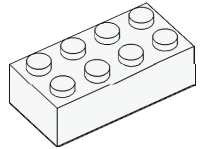
Wheel - Tire
Small
Black



Trench Carrier

9
of 15

2x



Brick 2x4

White

2x

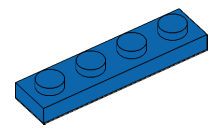
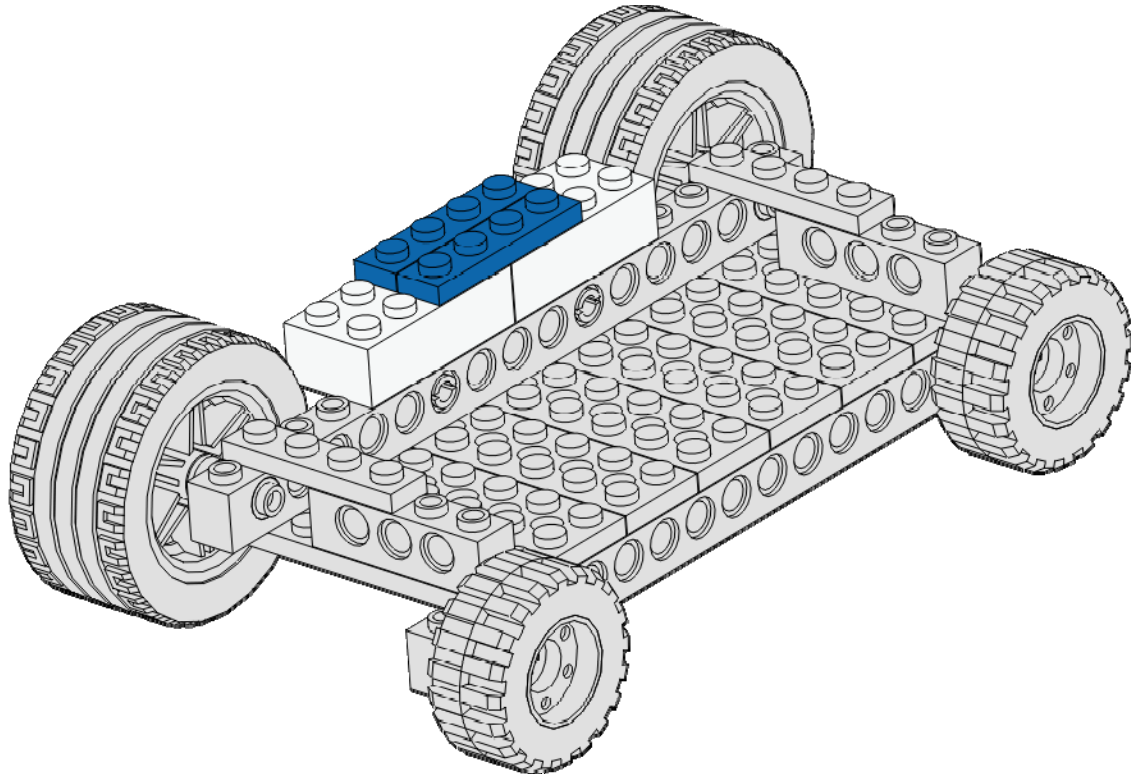


Plate 1x4

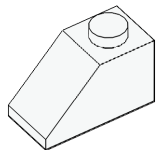
Blue



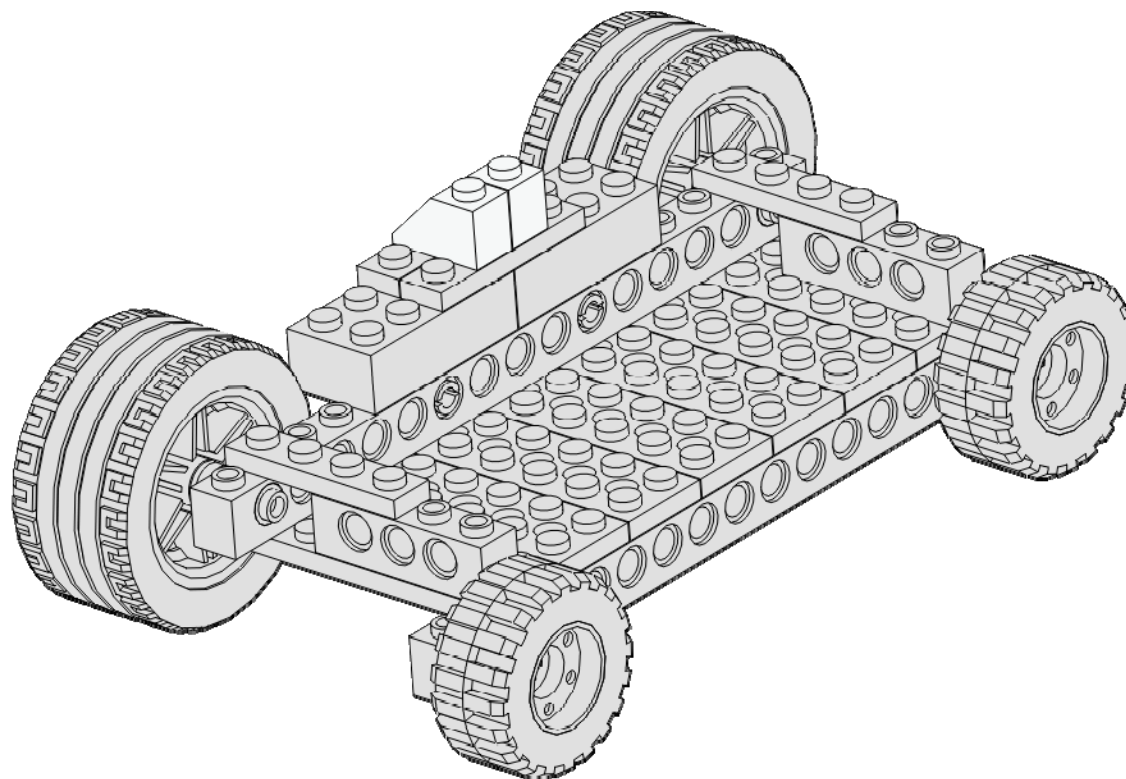
Trench Carrier

10
of 15

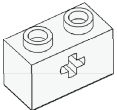
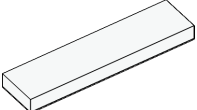
2x

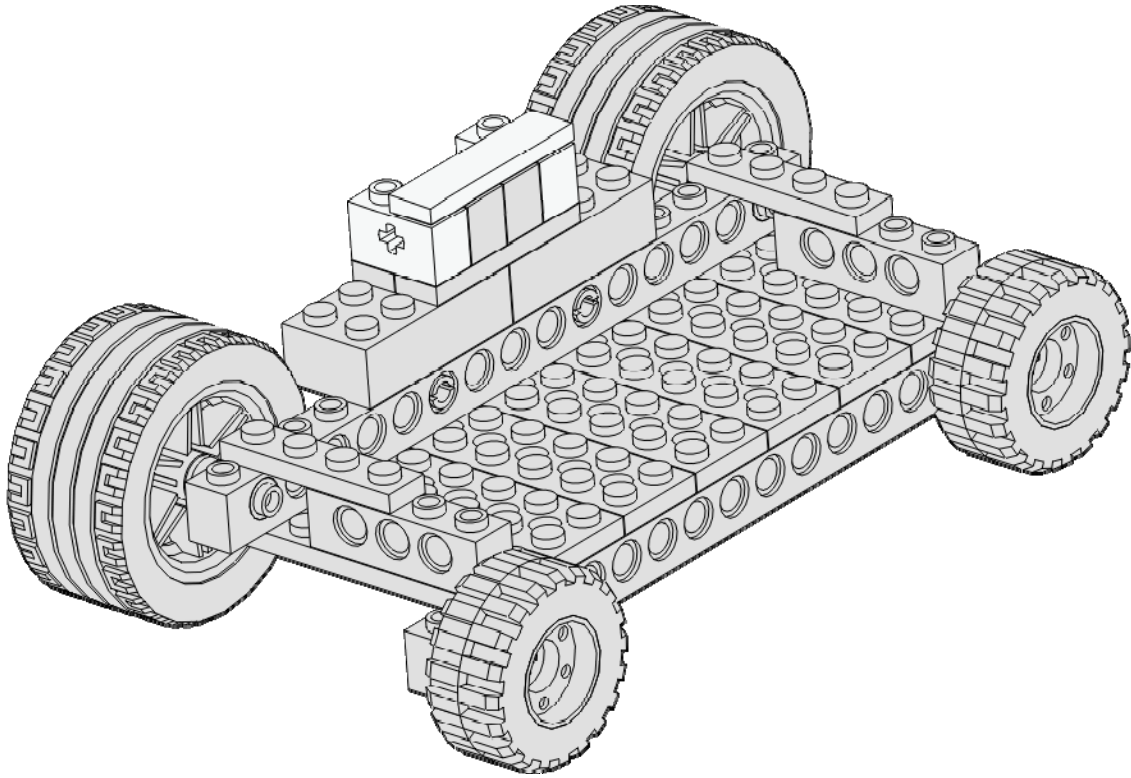


Brick
Slope 1x2
White



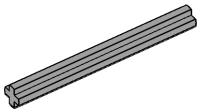
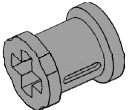
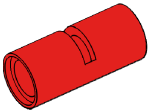

Trench Carrier

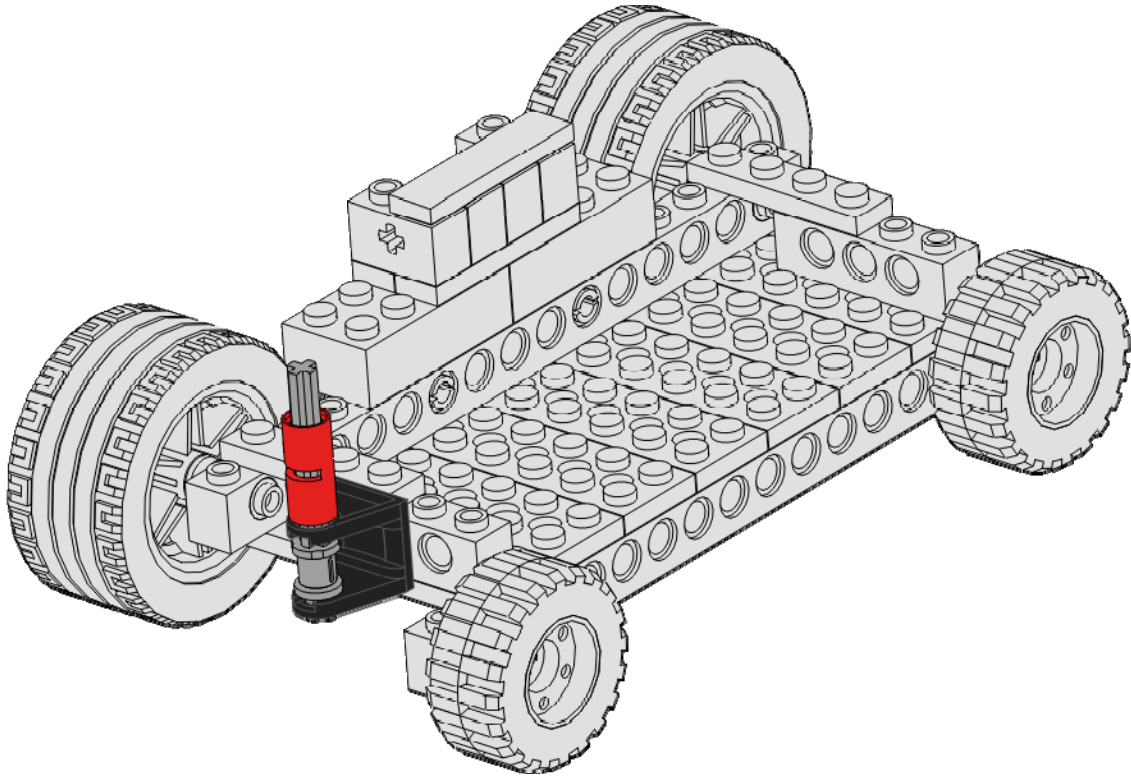
<p>11 of 15</p>	<p>2x</p>  <p>Brick 1x2 Axle Hole White</p>	<p>1x</p>  <p>Plate 1x4 Tile White</p>	
----------------------------	--	---	--



The diagram shows a 3D perspective view of a LEGO assembly. The base is a 1x10 Technic plate. A 1x4 Technic tile is placed on top of the plate, spanning from the 3rd to the 6th hole from the left. A 1x2 Technic brick with axle holes is placed on top of the 1x4 tile, spanning from the 3rd to the 4th hole. Two large treaded wheels are mounted on the front axle (holes 1 and 2), and two smaller treaded wheels are mounted on the back axle (holes 9 and 10). The assembly is shown from a three-quarter perspective.

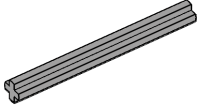
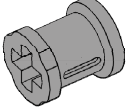
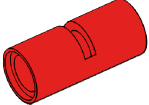
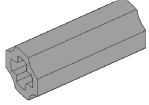
Trench Carrier

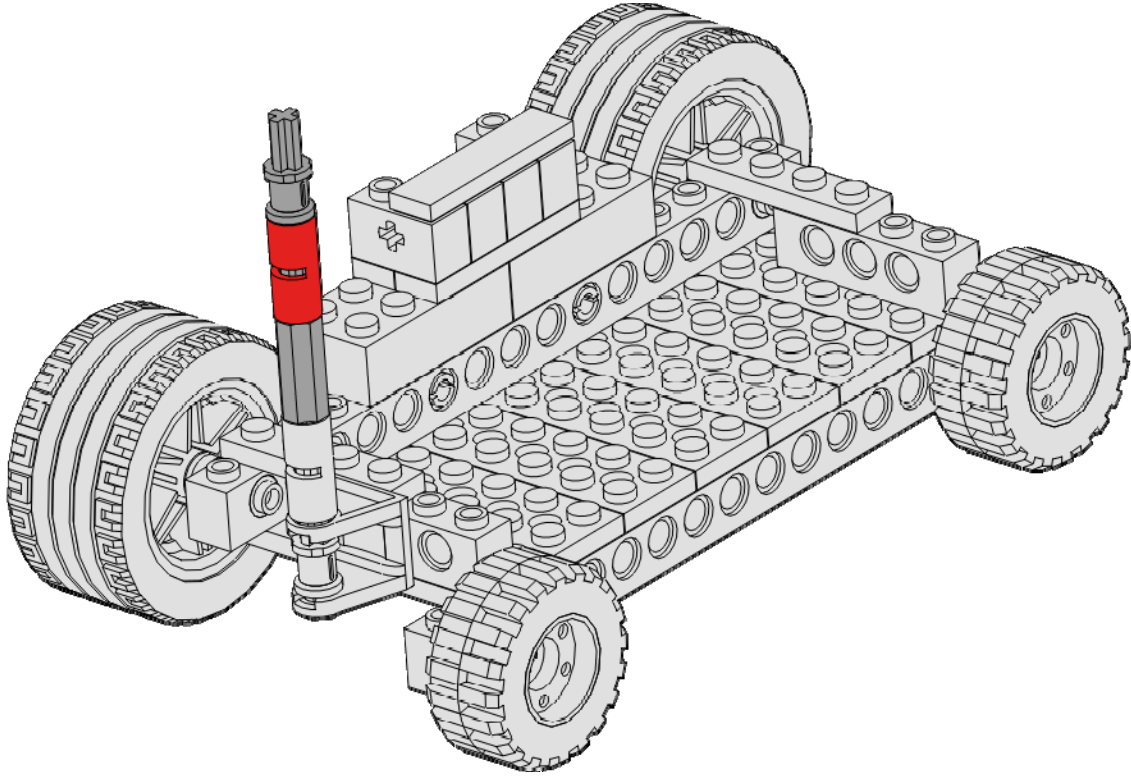
<p>12 of 15</p>	<p>1x</p>  <p>Axle 5 Light Gray</p>	<p>1x</p>  <p>Bushing Light Gray</p>	<p>1x</p>  <p>Bushing Spacer Red</p>	<p>1x</p>  <p>Steering Arm Black</p>	
---------------------	--	---	--	---	--



The diagram illustrates the assembly step for the steering arm. A red bushing spacer is being inserted onto a light gray axle. A light gray bushing is already attached to the axle. A black steering arm is being positioned to be attached to the end of the axle. The carrier is built on a base of light gray Technic bricks and has four large, treaded tires. The steering arm is being attached to the front-left wheel's axle.

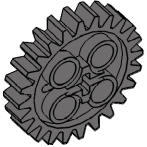
Trench Carrier

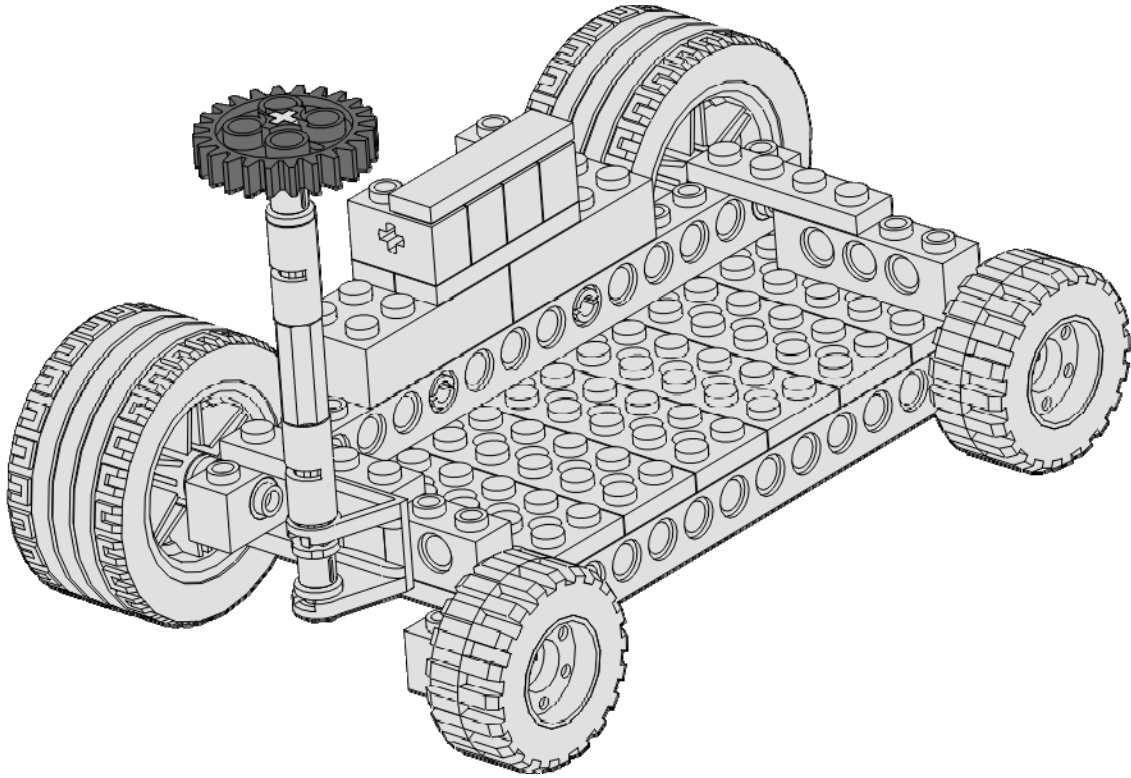
<p>13 of 15</p>	<p>1x  Axle 5 Light Gray</p>	<p>1x  Bushing Light Gray</p>	<p>1x  Bushing Spacer Red</p>	<p>1x  Connector Union Light Gray</p>	
---------------------	---	--	---	--	--



The diagram shows a 3D perspective view of the Trench Carrier chassis. The chassis is built on a base of light gray Technic bricks. A central axle is shown with a red bushing spacer and a light gray bushing. The axle is connected to a light gray connector union. The chassis has four wheels with a tread pattern. The wheels are mounted on a frame of light gray Technic bricks. The chassis is shown from a side-on perspective, highlighting the placement of the axle and the various components listed in the parts list above.

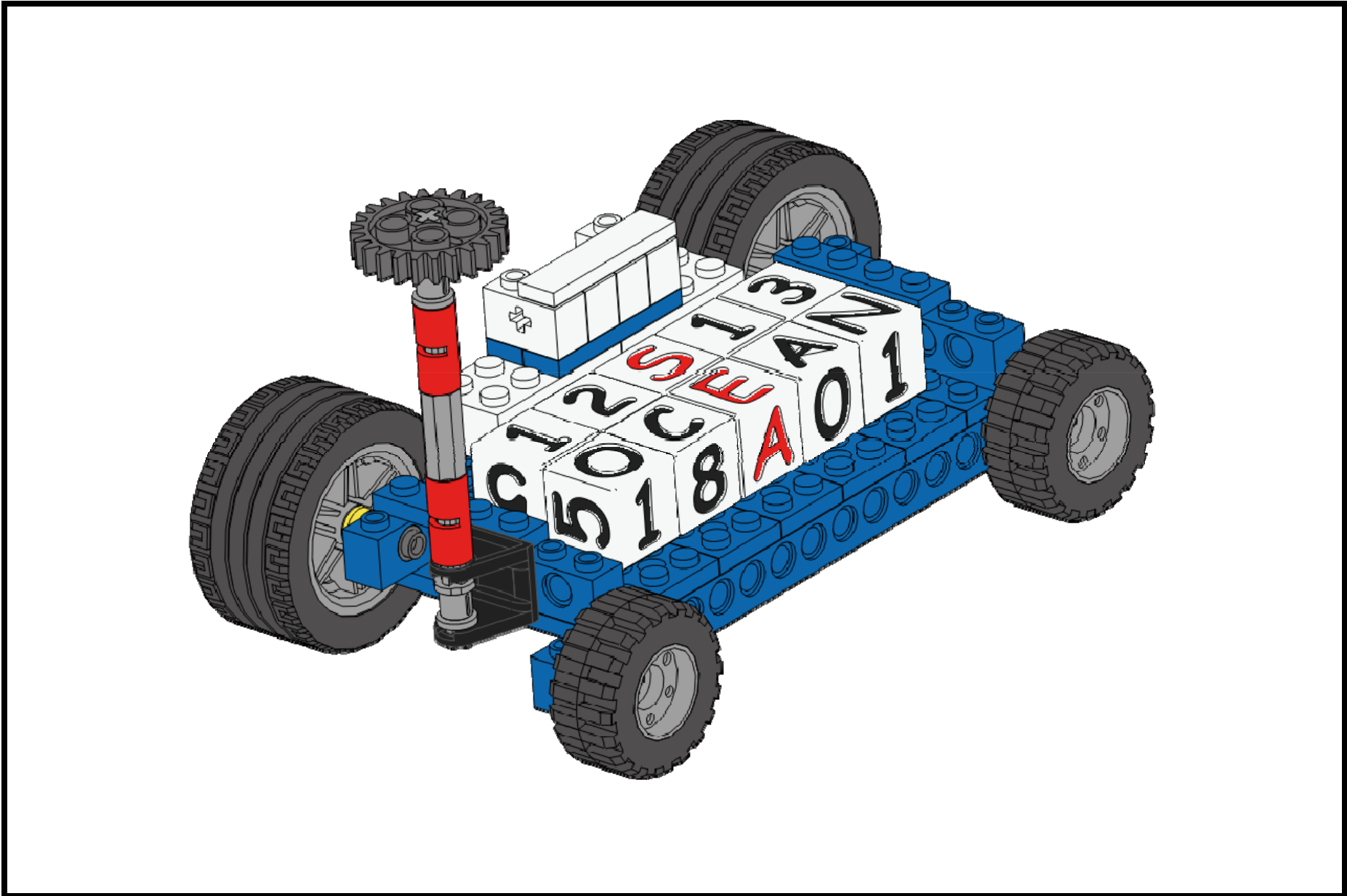
Trench Carrier

<p>14 of 15</p>	<p>1x</p>  <p>Gear - 24 Tooth</p> <p>Dark Gray</p>		
---------------------	---	--	--

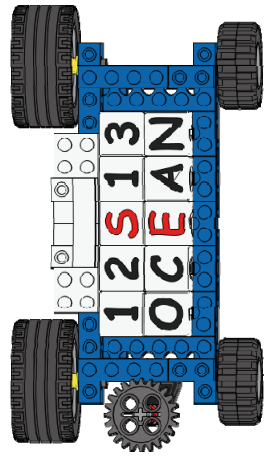


The diagram shows a LEGO trench carrier assembly in an exploded view. The main body is constructed from a 1x10 Technic brick with a 1x5 Technic brick on top. A vertical axle is inserted through the 5th hole from the left of the top brick. A 24-tooth gear is shown being attached to this axle. The carrier has four wheels: a large treaded wheel on the left, a smaller treaded wheel on the right, and two smaller treaded wheels at the front. A large treaded wheel is also shown in an exploded position above the main assembly.

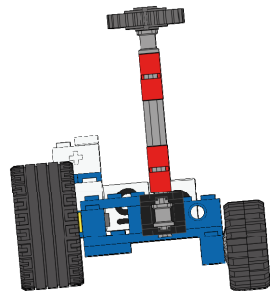
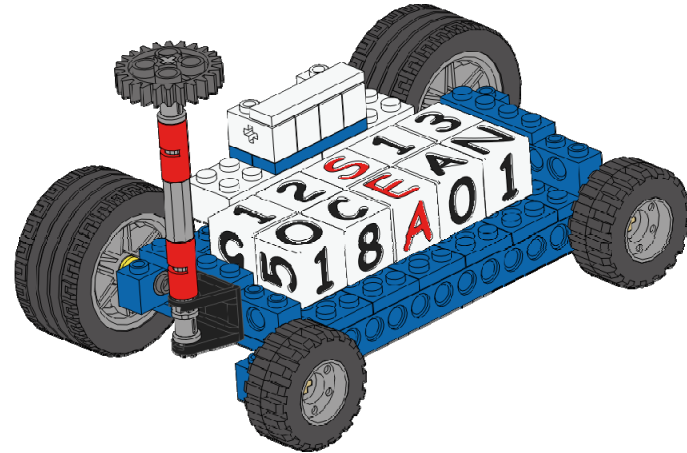
Trench Carrier



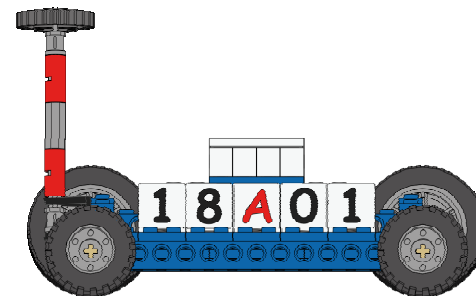
Trench Carrier



Top View



Front View



Side View