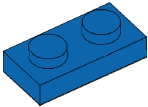
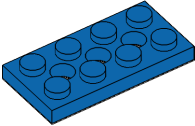
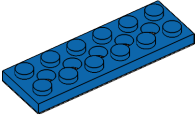
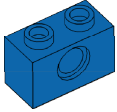
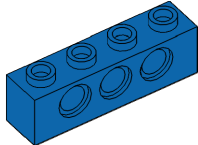
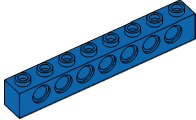
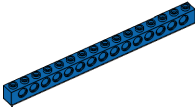
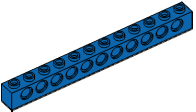
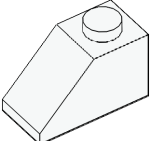
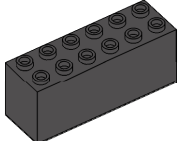
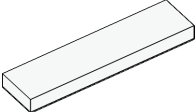
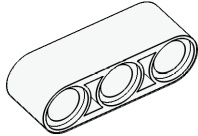

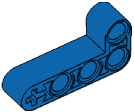
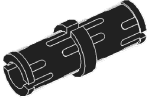
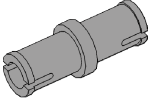
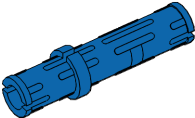
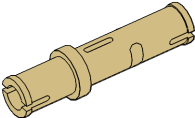
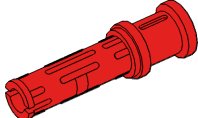
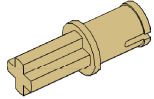
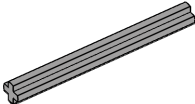

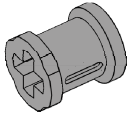


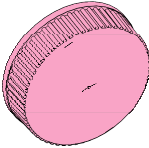
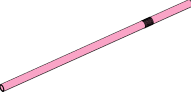


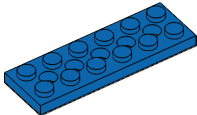
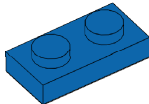
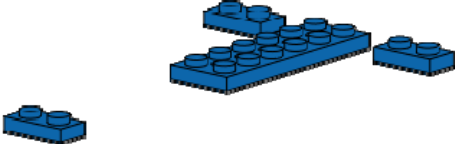
Mississippi Carrier



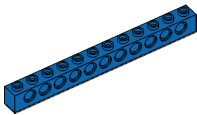
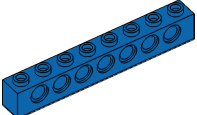
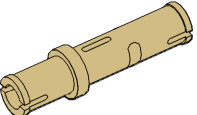
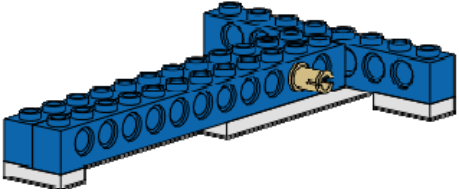
Mississippi Carrier

<p>4x</p>  <p>Plate 1x2 Blue</p>	<p>3x</p>  <p>Plate 2x4 Holes Blue</p>	<p>4x</p>  <p>Plate 2x6 Holes Blue</p>	<p>2x</p>  <p>Brick 1x2 Hole Blue</p>	<p>1x</p>  <p>Brick 1x4 Holes Blue</p>	<p>2x</p>  <p>Brick 1x8 Holes Blue</p>	<p>2x</p>  <p>Brick 1x16 Holes Blue</p>	
<p>4x</p>  <p>Brick 1x12 Holes Blue</p>	<p>2x</p>  <p>Brick Slope 1x2 White</p>	<p>1x</p>  <p>Weight 2x6x2 Black</p>	<p>2x</p>  <p>Plate 1x4 Tile White</p>	<p>2x</p>  <p>Liftarm 1x3 White</p>	<p>1x</p>  <p>Liftarm 1x15 White</p>	<p>3x</p>  <p>Liftarm 1x2x4 90 deg bend Blue</p>	
<p>4x</p>  <p>Pin Slots Black</p>	<p>2x</p>  <p>Pin Light Gray</p>	<p>2x</p>  <p>Pin - Long Slots Blue</p>	<p>1x</p>  <p>Pin - Long Tan</p>	<p>2x</p>  <p>Pin - Long Axle Hole Red</p>	<p>2x</p>  <p>Pin - Axle Tan</p>	<p>2x</p>  <p>Axle 5 Light Gray</p>	
<p>2x</p>  <p>Bushing 1/2 Yellow</p>	<p>1x</p>  <p>Bushing Light Gray</p>		<p>1x</p>  <p>Minifigure Girl</p>	<p>1x</p>  <p>Minifigure Boy</p>		<p>10x</p>  <p>Pump</p>	<p>10x</p>  <p>Pipe</p>

Mississippi Carrier

<p>1 of 20</p>	<p>1x</p>  <p>Plate 2x6 Holes Blue</p>	<p>3x</p>  <p>Plate 1x2 Blue</p>	
			

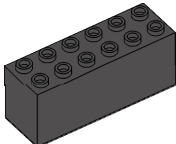
Mississippi Carrier

<p>2 of 20</p>	<p>2x</p>  <p>Brick 1x12 Holes Blue</p>	<p>1x</p>  <p>Brick 1x8 Holes Blue</p>	<p>1x</p>  <p>Pin - Long Tan</p>	
				

Mississippi Carrier

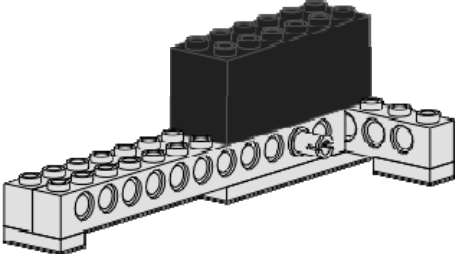
3
of 20

1x

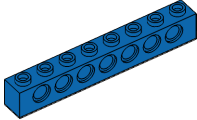
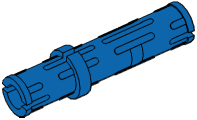
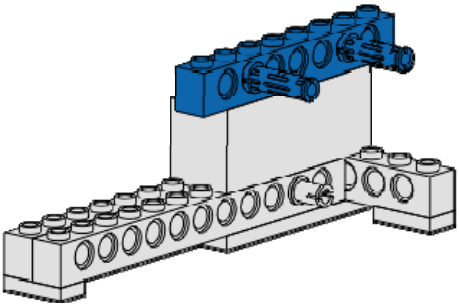


Weight 2x6x2


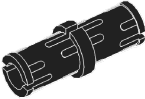
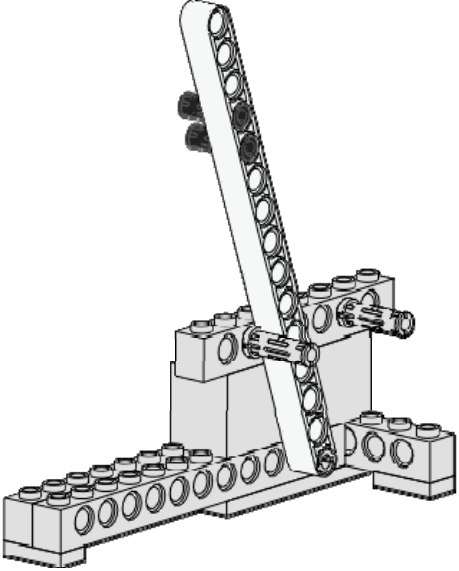
Black



Mississippi Carrier

<p>4 of 20</p>	<p>1x</p>  <p>Brick 1x8 Holes Blue</p>	<p>2x</p>  <p>Pin - Long Slots Blue</p>	
			

Mississippi Carrier

<p>5 of 20</p>	<p>1x</p>  <p>Liftarm 1x15 White</p>	<p>2x</p>  <p>Pin Slots Black</p>	
			

Mississippi Carrier

6
of 20

1x

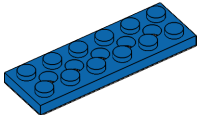
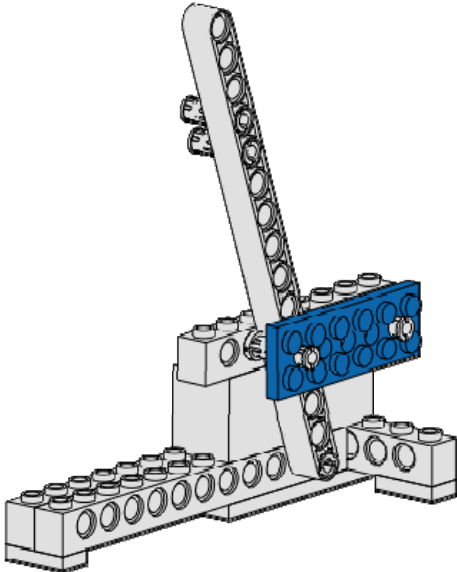
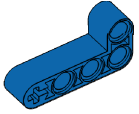
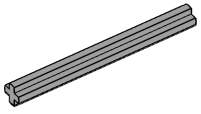
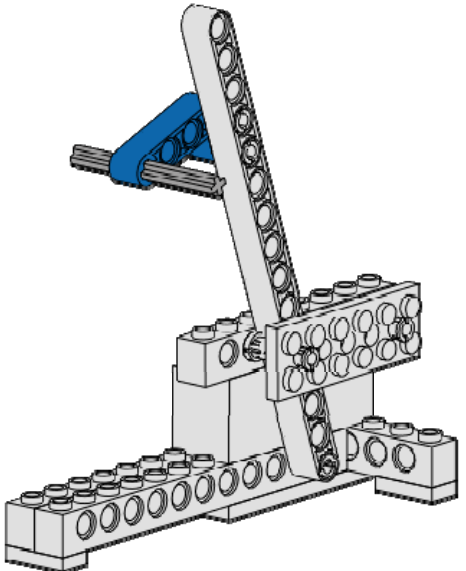


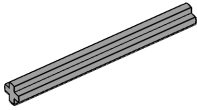
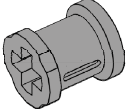
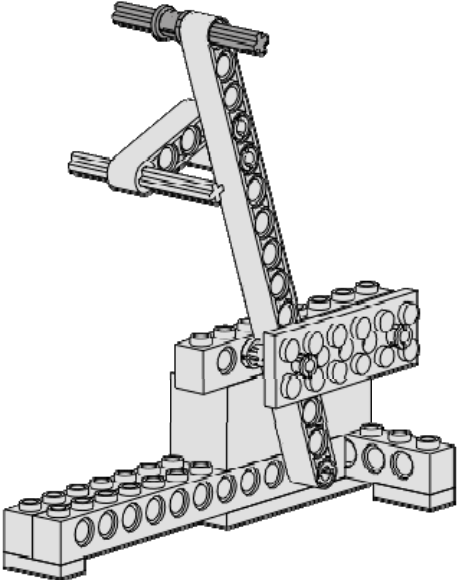
Plate 2x6
Holes
Blue



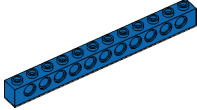
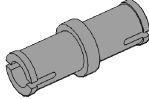
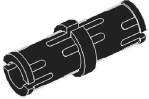
Mississippi Carrier

<p>7 of 20</p>	<p>1x</p>  <p>Liftarm 1x2x4 90 deg bend Blue</p>	<p>1x</p>  <p>Axle 5 Light Gray</p>	
			

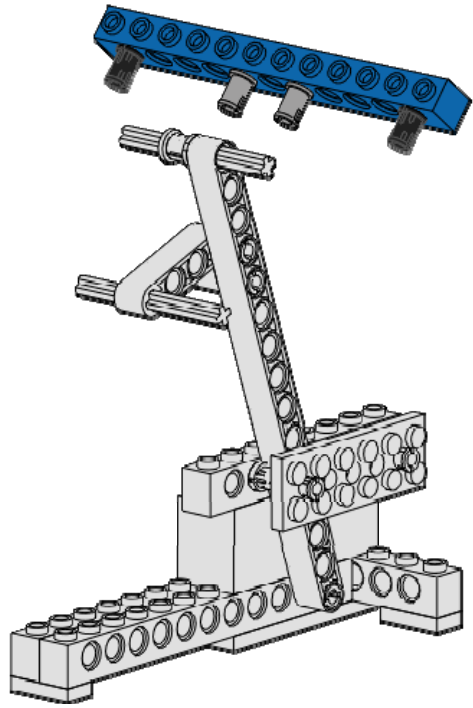
Mississippi Carrier

<p>8 of 20</p>	<p>1x</p>  <p>Axle 5 Light Gray</p>	<p>1x</p>  <p>Bushing Light Gray</p>	
			

Mississippi Carrier

9 of 20	1x  Brick 1x12 Holes Blue	2x  Pin Light Gray	2x  Pin Slots Black	
------------	--	--	---	--

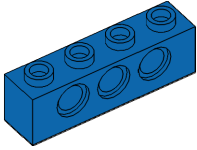
Beginning of assembly
that will be connected
in Step 13.



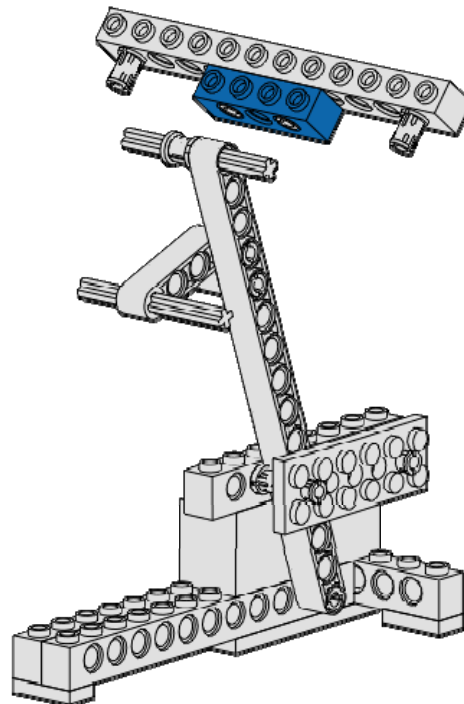
Mississippi Carrier

10
of 20

1x



Brick 1x4
Holes
Blue



Mississippi Carrier

11
of 20

1x

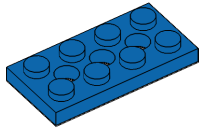


Plate 2x4
Holes
Blue

2x

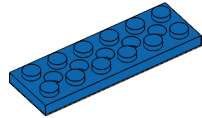
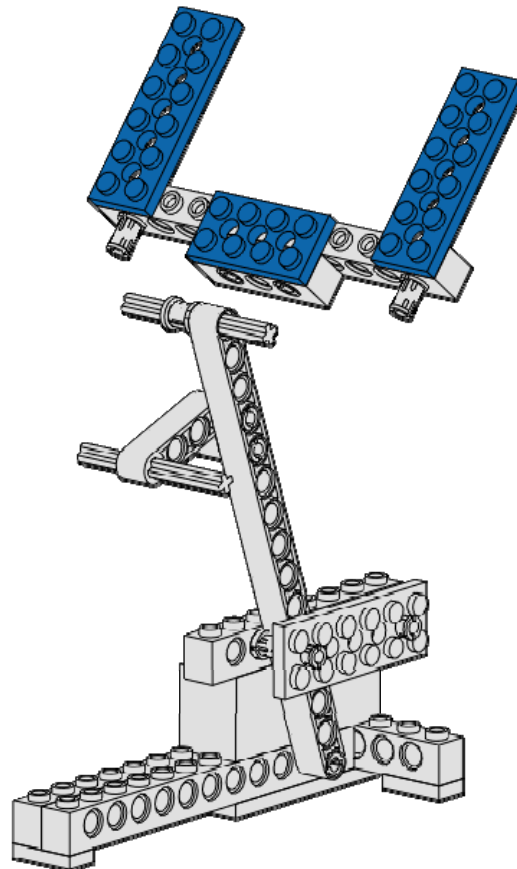


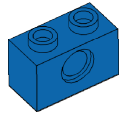
Plate 2x6
Holes
Blue



Mississippi Carrier

12
of 20

2x



Brick 1x2
Hole
Blue

2x

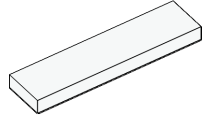
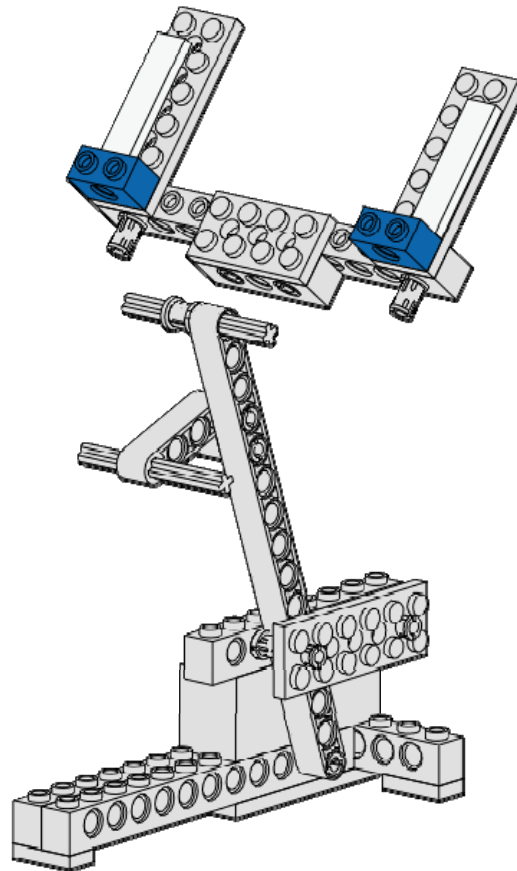


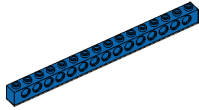
Plate 1x4
Tile
White



Mississippi Carrier

13
of 20

2x

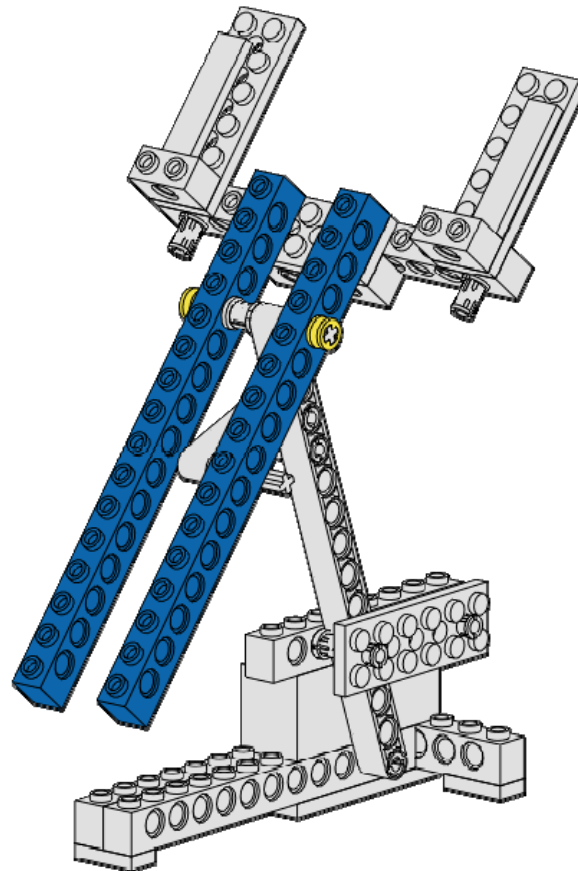


Brick 1x16
Holes
Blue

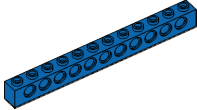
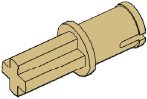
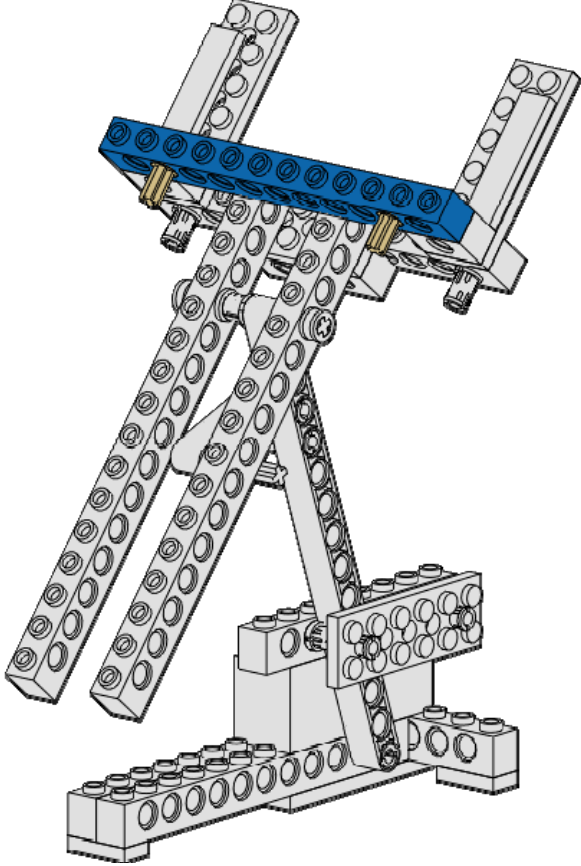
2x



Bushing
1/2
Yellow



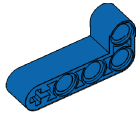
Mississippi Carrier

<p>14 of 20</p>	<p>1x</p>  <p>Brick 1x12 Holes Blue</p>	<p>2x</p>  <p>Pin - Axle Tan</p>	
			

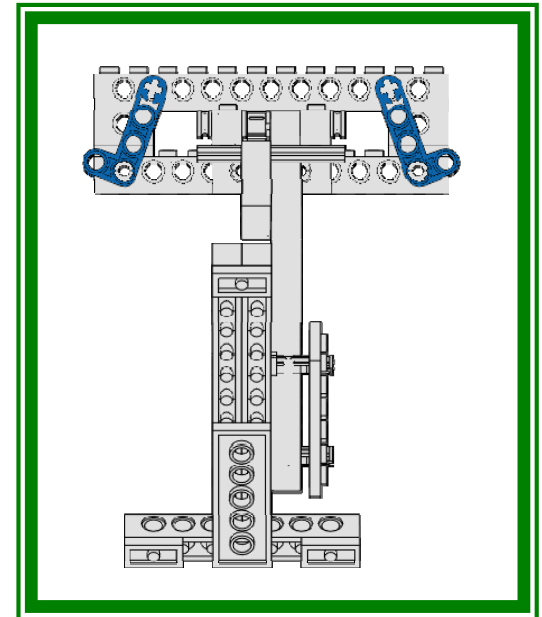
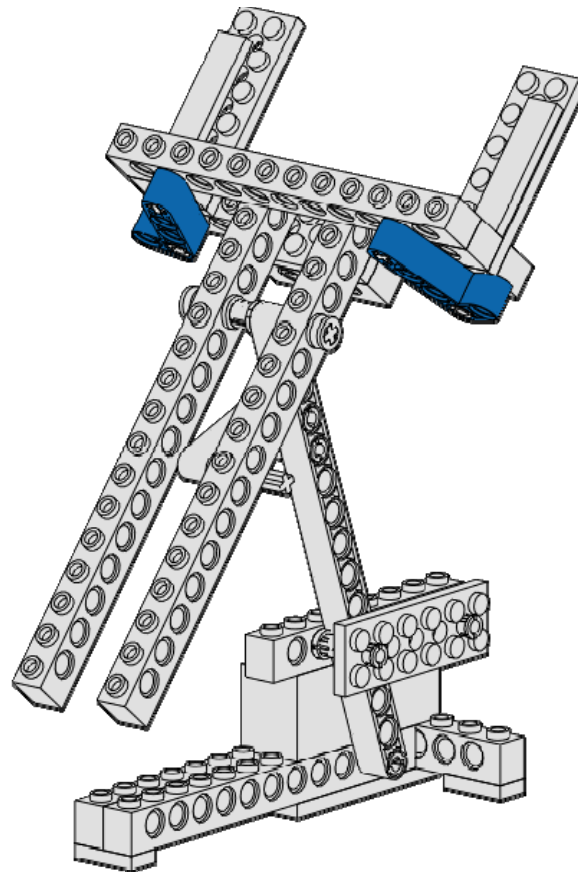
Mississippi Carrier

15
of 20

2x



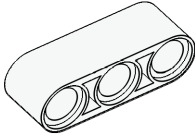
Liftarm 1x2x4
90 deg bend
Blue



Mississippi Carrier

16
of 20

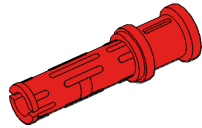
2x



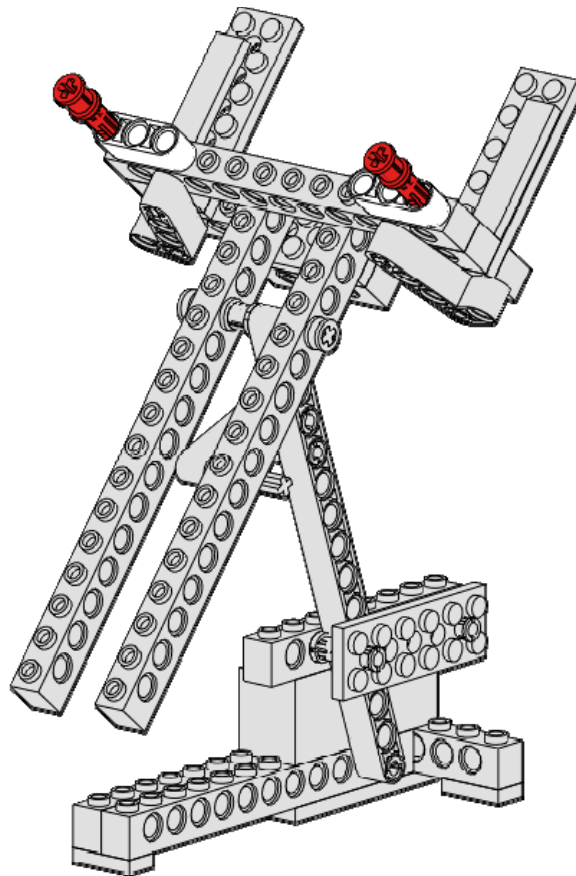
Liftarm 1x3

White

2x



Pin - Long
Axle Hole
Red



Mississippi Carrier

17
of 20

2x

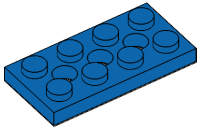
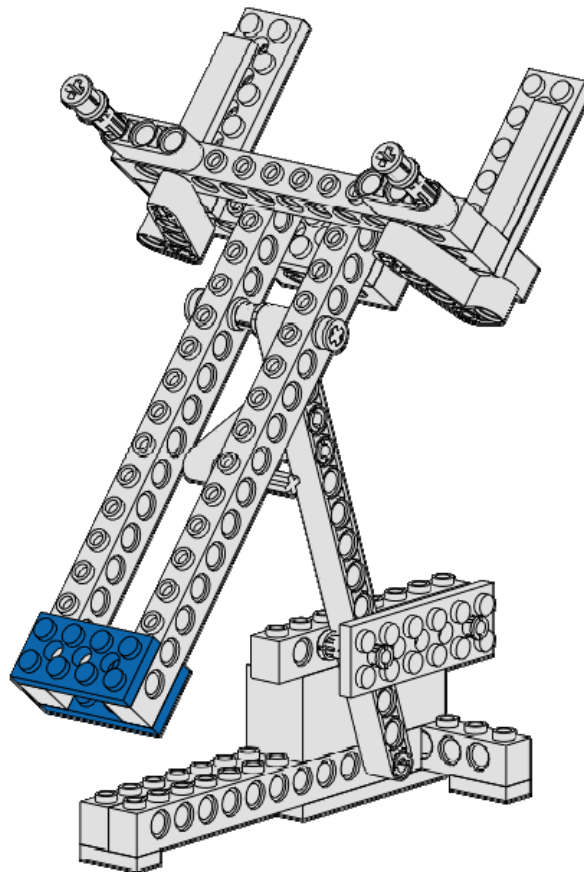


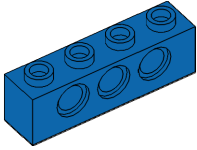
Plate 2x4
Holes
Blue



Mississippi Carrier

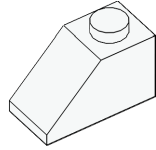
18
of 20

1x



Brick 1x4
Holes
Blue

2x



Brick
Slope 1x2
White

1x

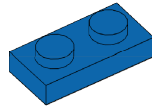
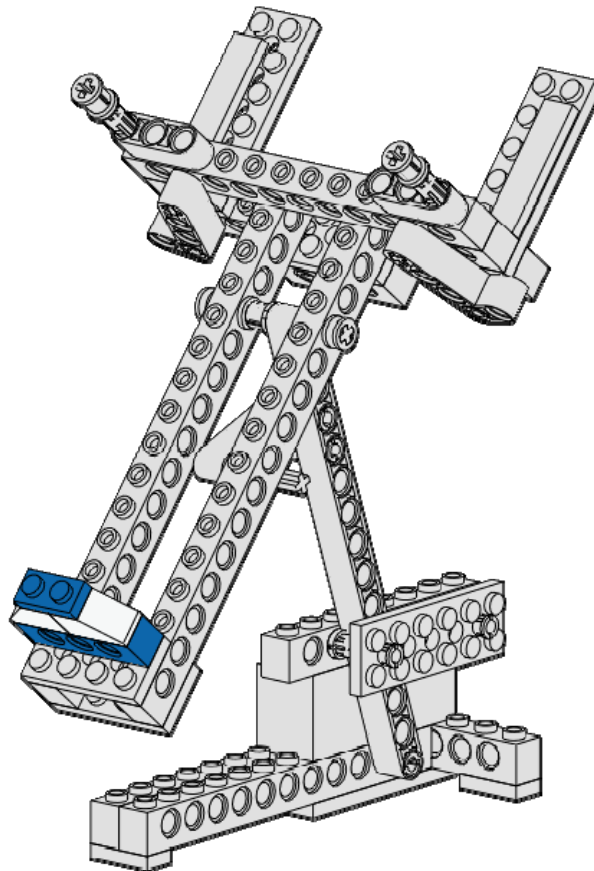


Plate 1x2
Blue



Mississippi Carrier

19
of 20

1x

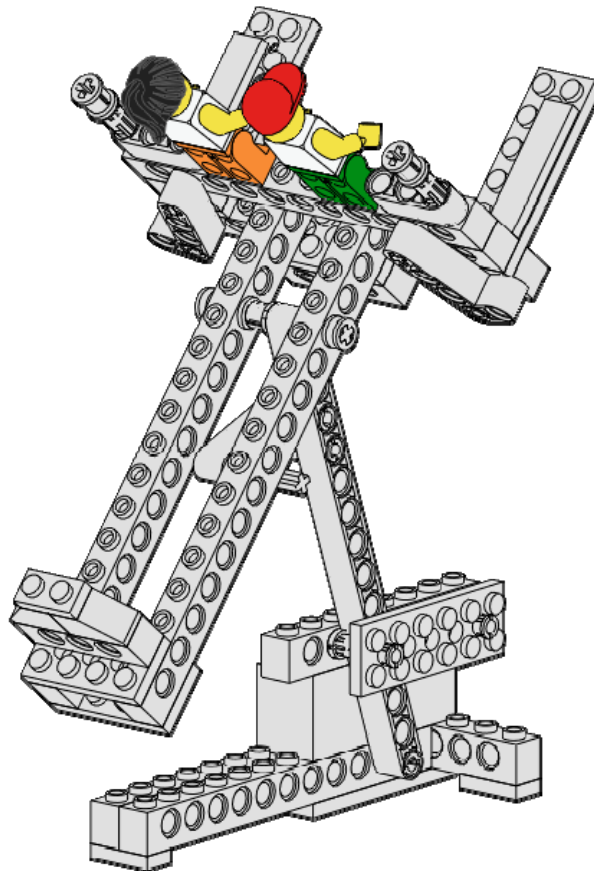


Minifigure
Girl

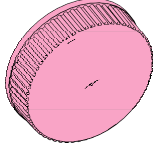
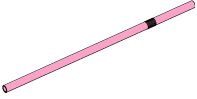
1x

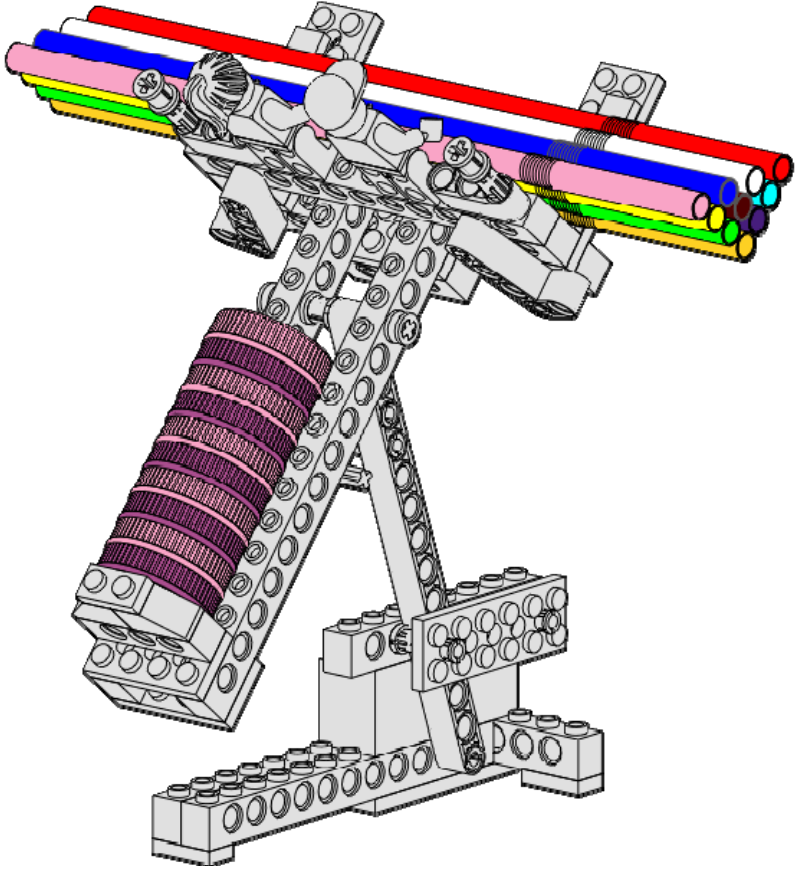


Minifigure
Boy



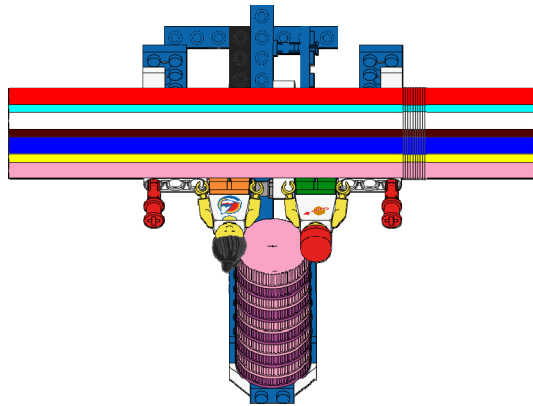
Mississippi Carrier

<p>20 of 20</p>	<p>10x</p>  <p>Pump</p>	<p>10x</p>  <p>Pipe</p>	
---------------------	--	--	--

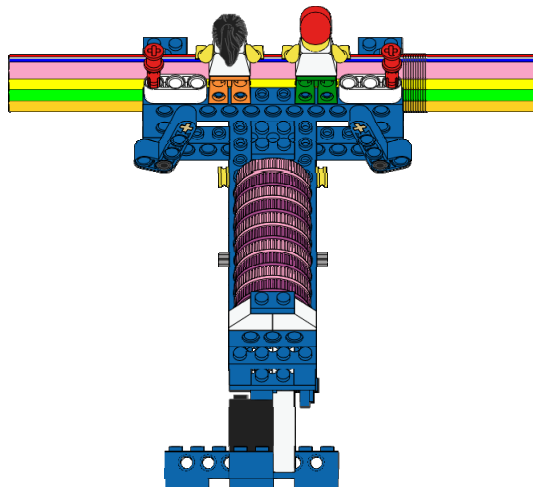
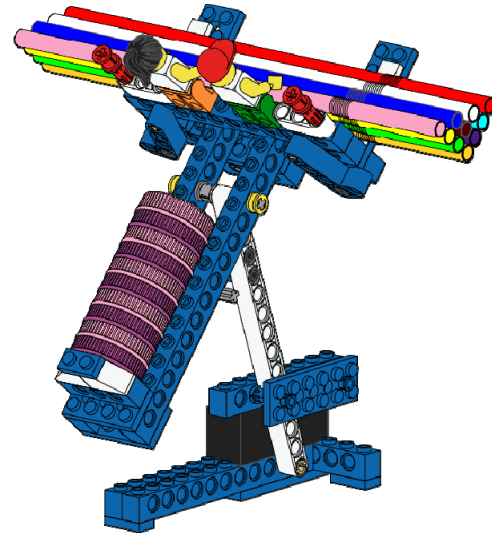


The diagram shows a LEGO assembly for the Mississippi Carrier. It features a grey base with a central vertical support. A long, multi-colored pipe (red, blue, yellow, green, pink) is mounted horizontally across the top. A pink pump is attached to the pipe, and a pink pipe is also visible. The assembly is supported by a grey frame with a central vertical support and a base.

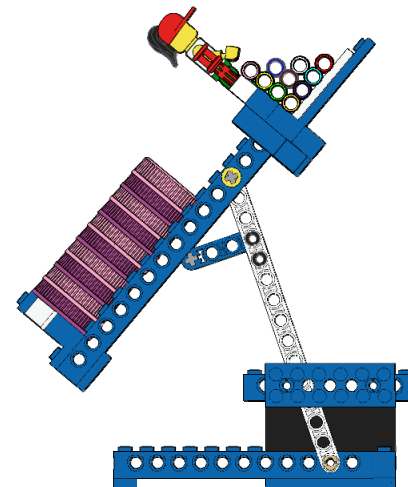
Mississippi Carrier



Top View



Front View



Side View