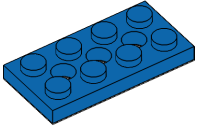
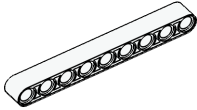

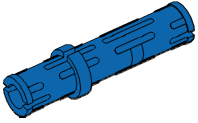
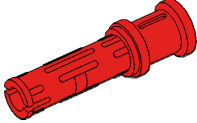
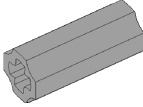

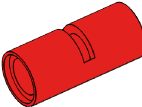
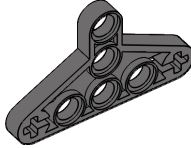
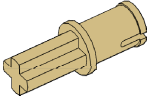
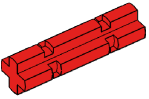
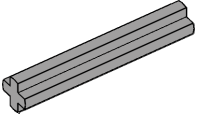

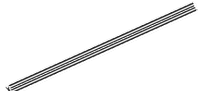




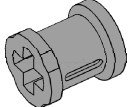
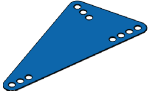
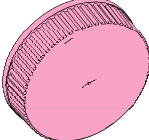
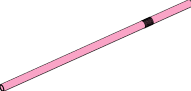


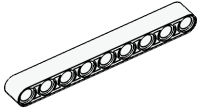
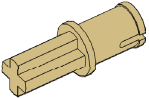
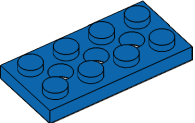
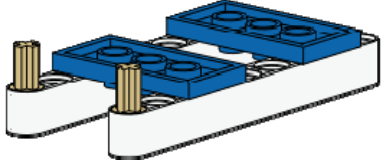
Jordan Carrier




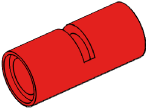
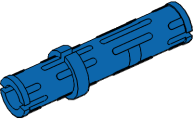
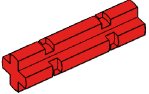
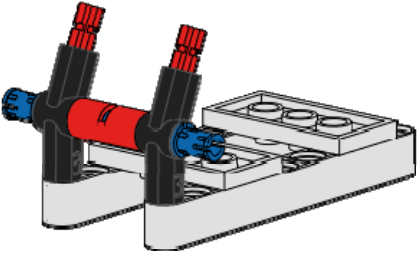
Jordan Carrier

<p>2x</p>  <p>Plate 2x4 Holes Blue</p>	<p>2x</p>  <p>Liftarm 1x9 White</p>	<p>1x</p>  <p>Liftarm 1x15 White</p>					
<p>2x</p>  <p>Pin - Long Slots Blue</p>	<p>8x</p>  <p>Pin - Long Axle Hole Red</p>	<p>4x</p>  <p>Connector Union Light Gray</p>	<p>4x</p>  <p>Connector 30 Degree Black</p>	<p>2x</p>  <p>Bushing Spacer Red</p>	<p>2x</p>  <p>Brace 3x5 Dark Gray</p>		
<p>4x</p>  <p>Pin - Axle Tan</p>	<p>4x</p>  <p>Axle 2 Notched Red</p>	<p>4x</p>  <p>Axle 3 Light Gray</p>	<p>4x</p>  <p>Axle 4 Black</p>	<p>2x</p>  <p>Axle 12 Black</p>	<p>2x</p>  <p>Gear - 12 Tooth Double Bevel Black</p>	<p>2x</p>  <p>Gear - 20 Tooth Double Bevel Tan</p>	<p>2x</p>  <p>Gear - 40 Tooth Light Gray</p>
<p>2x</p>  <p>Bushing 1/2 Yellow</p>	<p>2x</p>  <p>Bushing Light Gray</p>		<p>2x</p>  <p>Flexible Triangle Small Light Blue</p>			<p>10x</p>  <p>Pump</p>	<p>10x</p>  <p>Pipe</p>


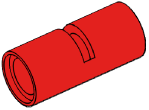
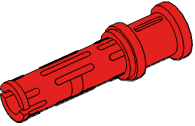
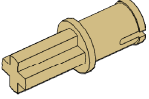
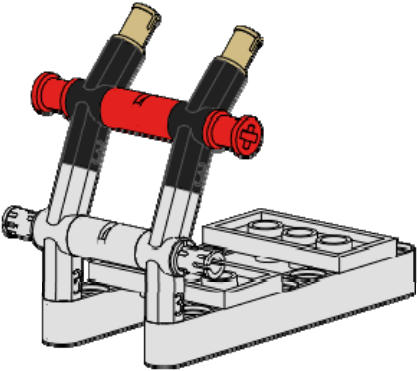
Jordan Carrier

<p>1 of 11</p>	<p>2x</p>  <p>Liftarm 1x9 White</p>	<p>2x</p>  <p>Pin - Axle Tan</p>	<p>2x</p>  <p>Plate 2x4 Holes Blue</p>	
				

Jordan Carrier

<p>2 of 11</p>	<p>2x</p>  <p>Connector 30 Degree Black</p>	<p>1x</p>  <p>Bushing Spacer Red</p>	<p>2x</p>  <p>Pin - Long Slots Blue</p>	<p>2x</p>  <p>Axle 2 Notched Red</p>	
					

Jordan Carrier

<p>3 of 11</p>	<p>2x</p>  <p>Connector 30 Degree Black</p>	<p>1x</p>  <p>Bushing Spacer Red</p>	<p>2x</p>  <p>Pin - Long Axle Hole Red</p>	<p>2x</p>  <p>Pin - Axle Tan</p>	
					

Jordan Carrier

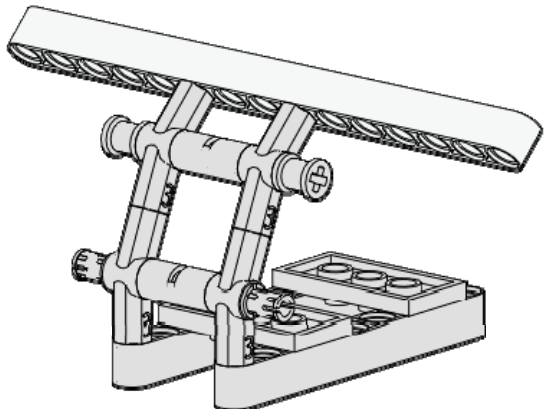
4
of 11

1x



Liftarm 1x15

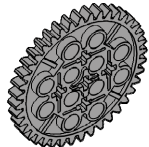
White



Jordan Carrier

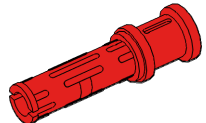
5
of 11

2x

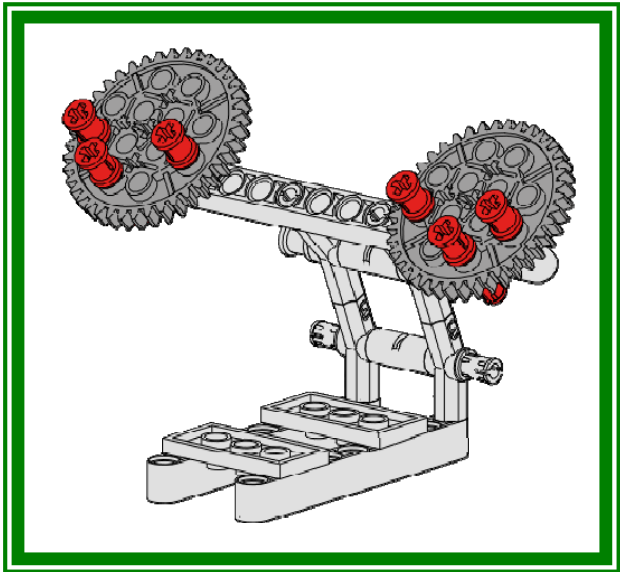
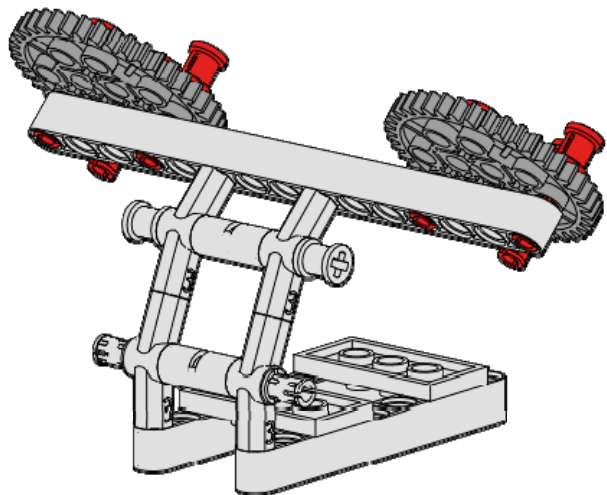


Gear - 40 Tooth
Light Gray

6x



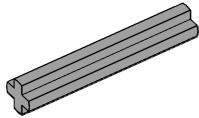
Pin - Long
Axle Hole
Red



Jordan Carrier

6
of 11

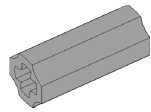
4x



Axle 3

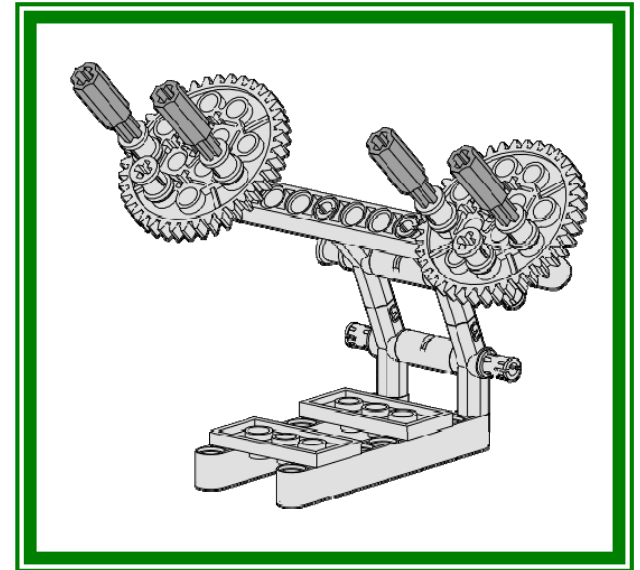
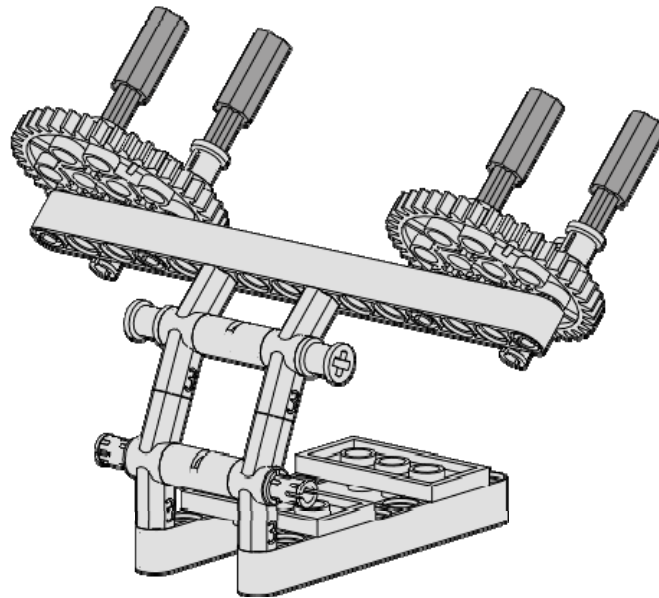
Light Gray

4x




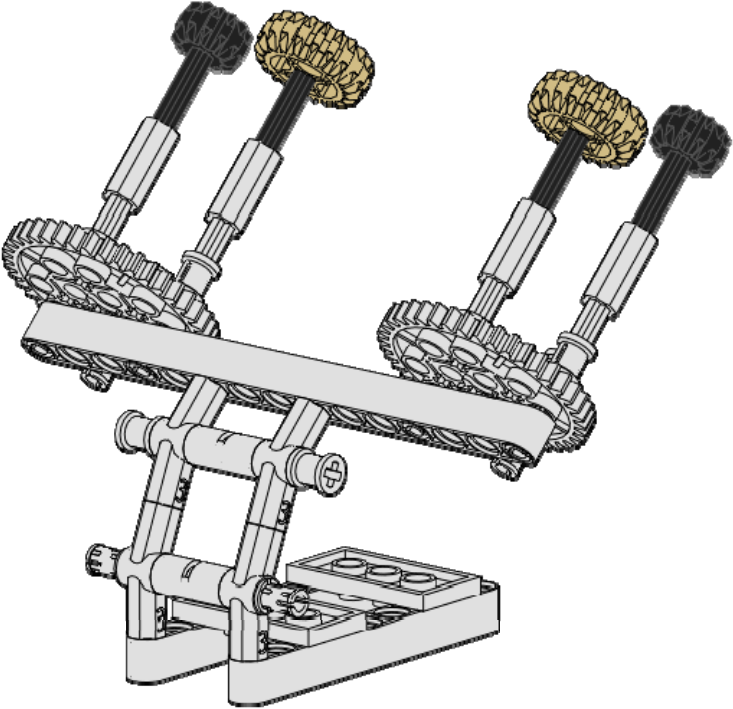


Connector
Union

Light Gray



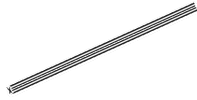
Jordan Carrier

<p>7 of 11</p>	<p>4x</p>  <p>Axle 4 Black</p>	<p>2x</p>  <p>Gear - 12 Tooth Double Bevel Black</p>	<p>2x</p>  <p>Gear - 20 Tooth Double Bevel Tan</p>	
				

Jordan Carrier

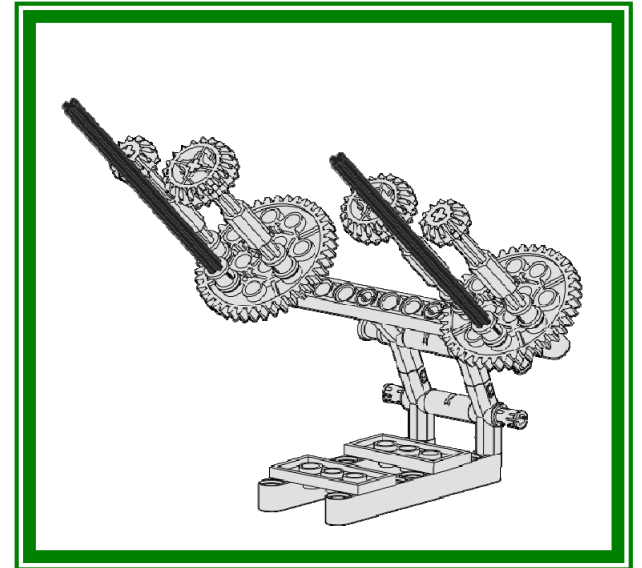
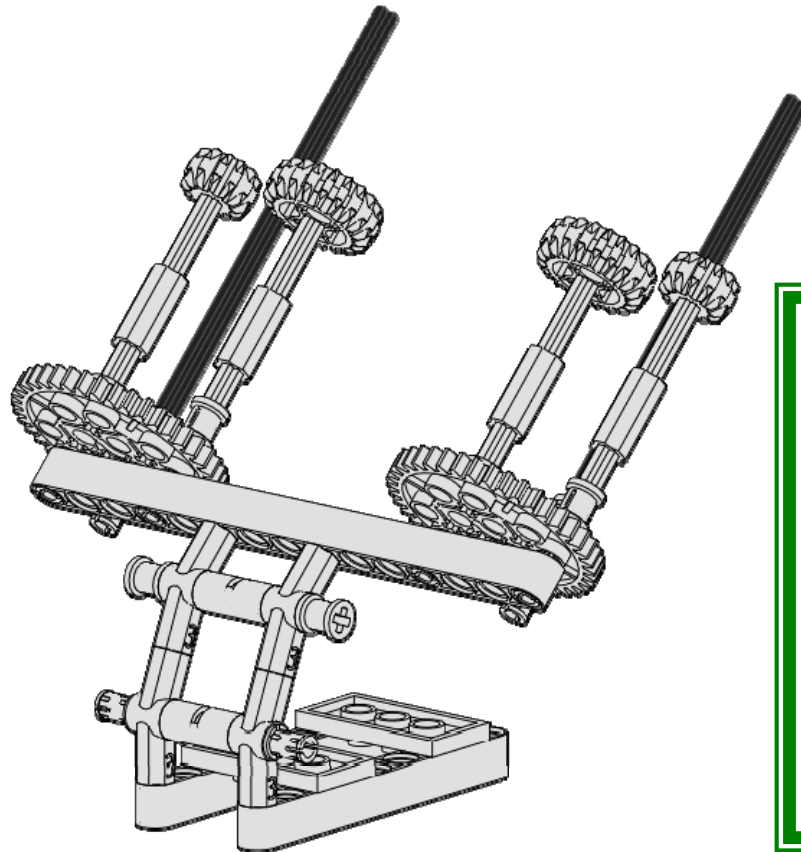
8
of 11

2x

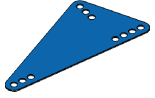
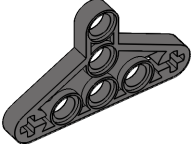
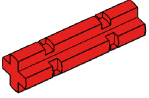


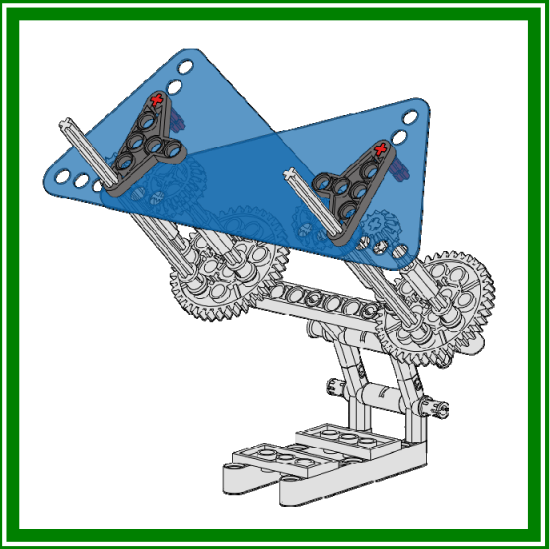
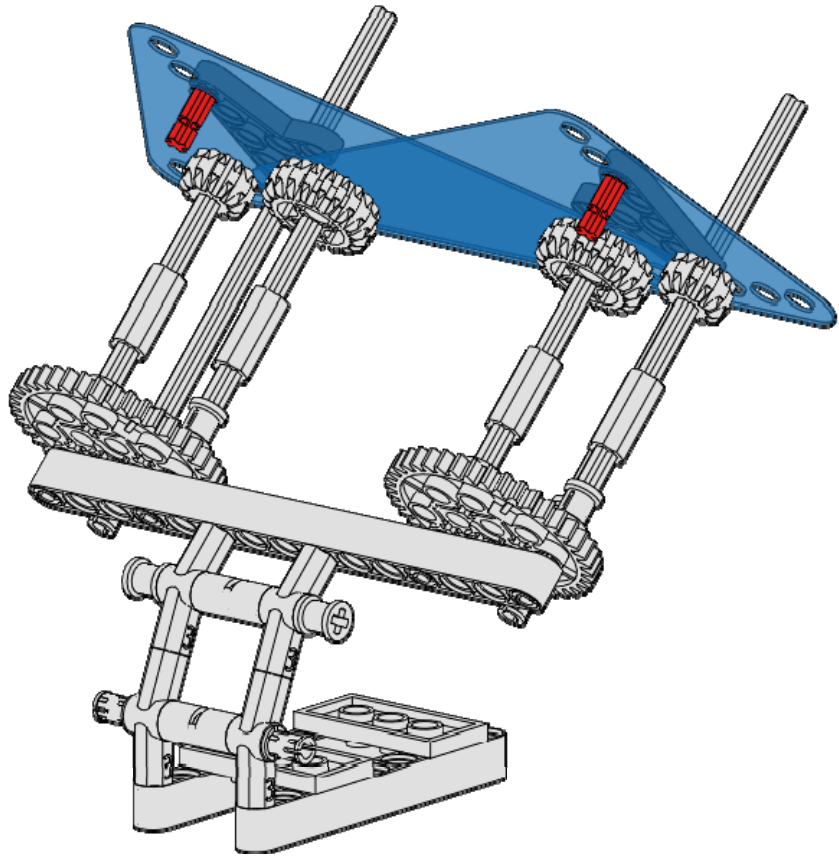
Axle 12

Black



Jordan Carrier

<p>9 of 11</p>	<p>2x</p>  <p>Flexible Triangle Small Light Blue</p>	<p>2x</p>  <p>Brace 3x5 Dark Gray</p>	<p>2x</p>  <p>Axle 2 Notched Red</p>	
--------------------	---	--	--	--



Jordan Carrier

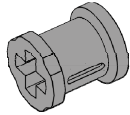
10
of 11

2x

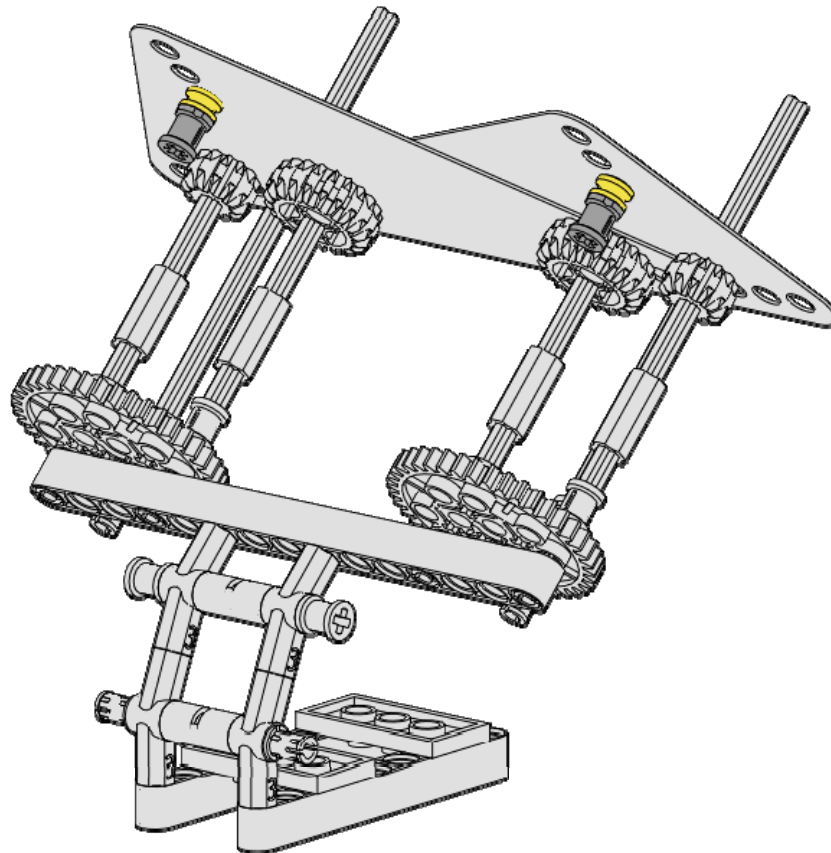


Bushing
1/2
Yellow

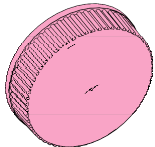
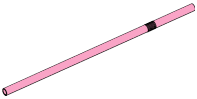
2x

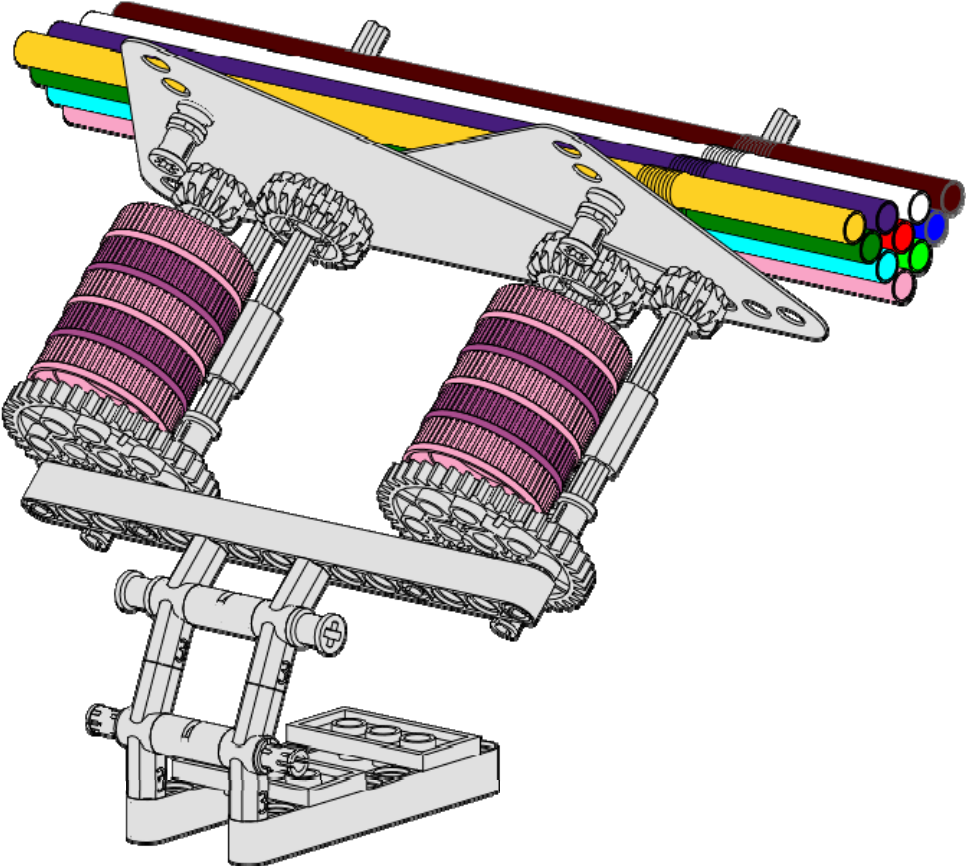


Bushing
Light Gray



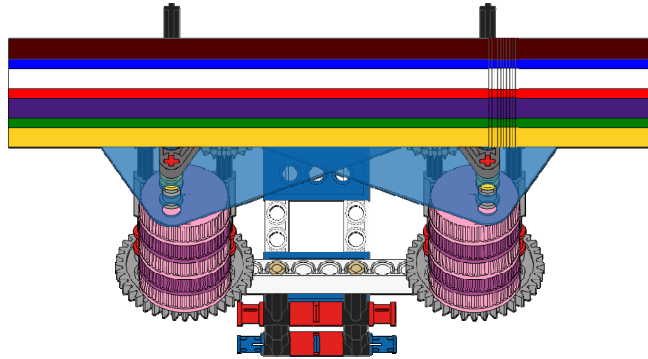
Jordan Carrier

<p>11 of 11</p>	<p>10x</p>  <p>Pump</p>	<p>10x</p>  <p>Pipe</p>	
---------------------	--	--	--

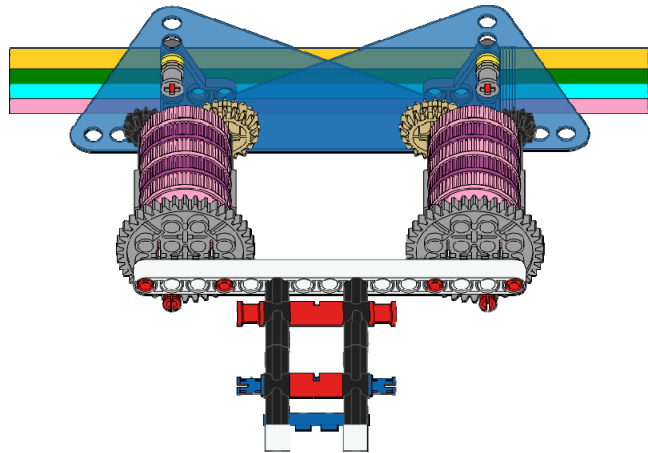
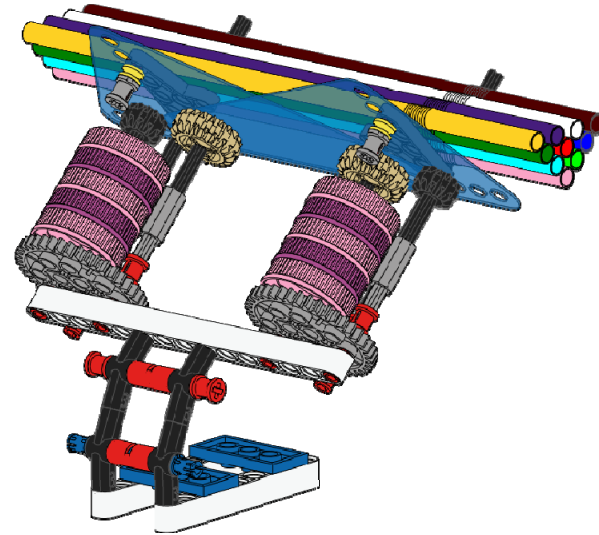


The diagram shows a 3D perspective view of the Jordan Carrier assembly. It features a grey metal frame with two large, cylindrical, pink-painted rollers. Each roller is mounted on a vertical shaft that is connected to a horizontal shaft. This horizontal shaft is part of a gear train that includes several gears of different sizes. The entire mechanism is supported by a base structure that includes a grey rectangular block with four circular indentations. At the top of the assembly, there is a horizontal bar with several colored pipes (yellow, green, blue, red, purple) attached to it. The rollers appear to be designed to grip and move these pipes.

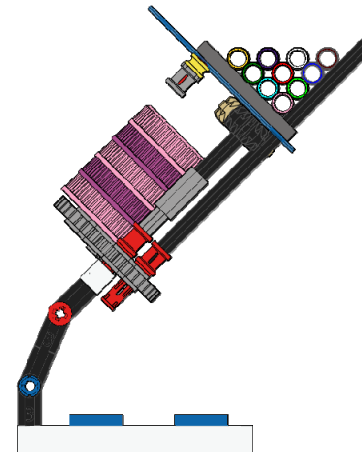
Jordan Carrier



Top View



Front View



Side View