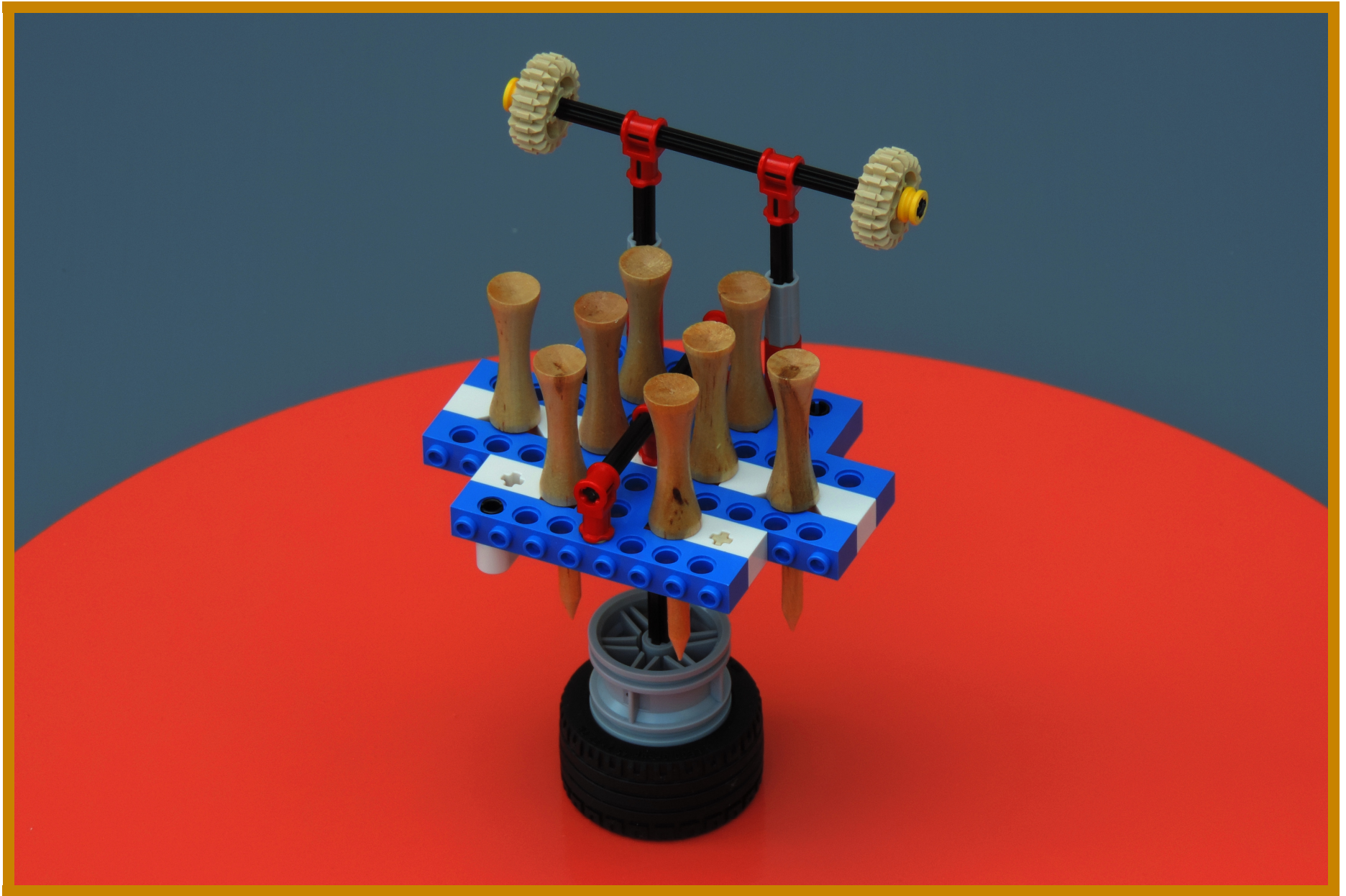
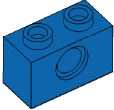
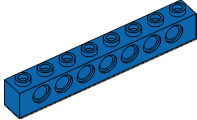
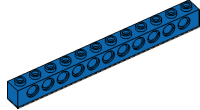
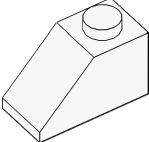
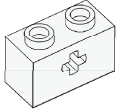
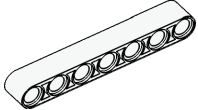
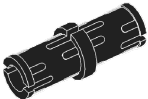
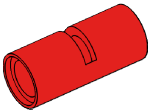

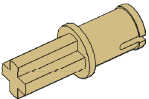
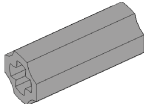
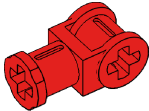


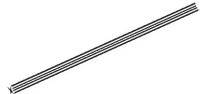

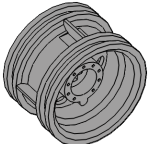

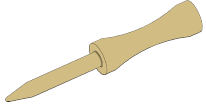


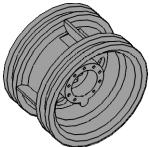

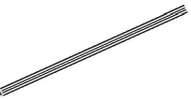
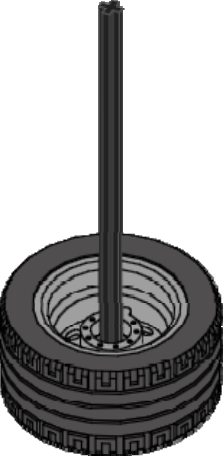
# Kepler Carrier



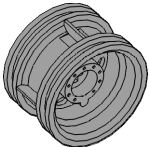
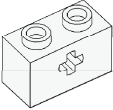
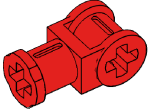
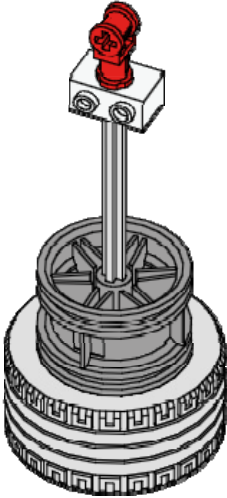
# Kepler Carrier

|   |   |  |   |  |   |  |
|---|---|--|---|--|---|--|
| <p>4x</p>  <p>Brick 1x2<br/>Hole<br/>Blue</p>            | <p>2x</p>  <p>Brick 1x8<br/>Holes<br/>Blue</p>       | <p>2x</p>  <p>Brick 1x12<br/>Holes<br/>Blue</p> | <p>4x</p>  <p>Brick<br/>Slope 1x2<br/>White</p> | <p>3x</p>  <p>Brick 1x2<br/>Axle Hole<br/>White</p>         | <p>2x</p>  <p>Liftarm 1x7<br/>White</p>              |  |
| <p>5x</p>  <p>Pin<br/>Slots<br/>Black</p>                | <p>2x</p>  <p>Bushing<br/>Spacer<br/>Red</p>         |  | <p>2x</p>  <p>Bushing<br/>1/2<br/>Yellow</p>     | <p>5x</p>  <p>Pin - Axle<br/>Tan</p>                        | <p>2x</p>  <p>Connector<br/>Union<br/>Light Gray</p> | <p>5x</p>  <p>Connector 1x2<br/>90 Degree<br/>Red</p> |
| <p>2x</p>  <p>Axle 4<br/>Black</p>                       | <p>1x</p>  <p>Axle 8<br/>Black</p>                   | <p>2x</p>  <p>Axle 12<br/>Black</p>             |   | <p>2x</p>  <p>Gear - 20 Tooth<br/>Double Bevel<br/>Tan</p> |   |  |
| <p>2x</p>  <p>Wheel - Rim<br/>Large<br/>Light Gray</p> | <p>1x</p>  <p>Wheel - Tire<br/>Large<br/>Black</p> |  |   |  |   | <p>8x</p>  <p>TEE<br/>Wood</p>                      |

# Kepler Carrier

|   |   |   |   |  |
|---|---|---|---|--|
| <p><b>1</b><br/>of 16</p>   | <p>1x</p>  <p>Wheel - Rim<br/>Large<br/>Light Gray</p> | <p>1x</p>  <p>Wheel - Tire<br/>Large<br/>Black</p> | <p>1x</p>  <p>Axle 12<br/>Black</p> |  |
|  |   |   |   |  |

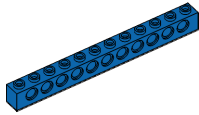
# Kepler Carrier

|   |   |  |   |  |
|---|---|--|---|--|
| <p>2<br/>of 16</p>  | <p>1x</p>  <p>Wheel - Rim<br/>Large<br/>Light Gray</p> | <p>1x</p>  <p>Brick 1x2<br/>Axle Hole<br/>White</p> | <p>1x</p>  <p>Connector 1x2<br/>90 Degree<br/>Red</p> |  |
|  |   |  |   |  |

# Kepler Carrier

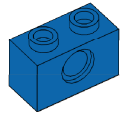
3  
of 16

1x

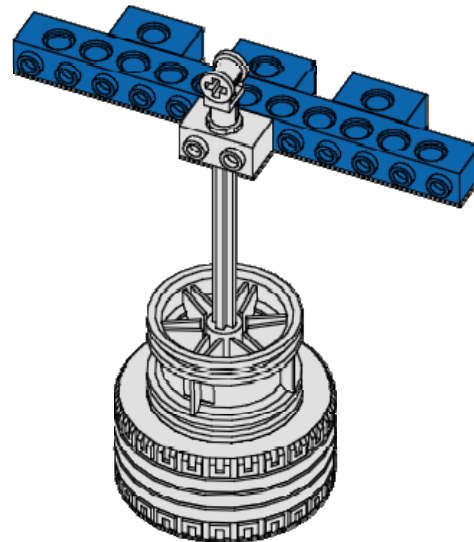


Brick 1x12  
Holes  
Blue

3x



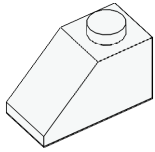
Brick 1x2  
Hole  
Blue



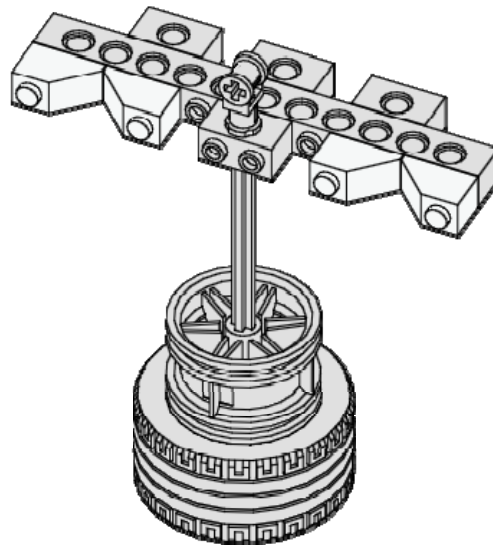
# Kepler Carrier

4  
of 16

4x



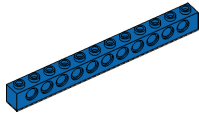
Brick  
Slope 1x2  
White



# Kepler Carrier

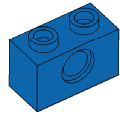
5  
of 16

1x



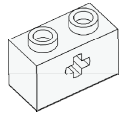
Brick 1x12  
Holes  
Blue

1x

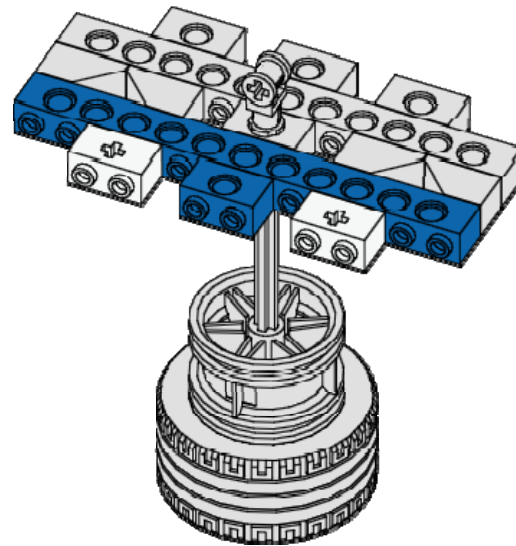


Brick 1x2  
Hole  
Blue

2x



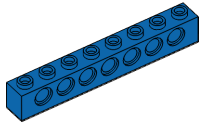
Brick 1x2  
Axle Hole  
White



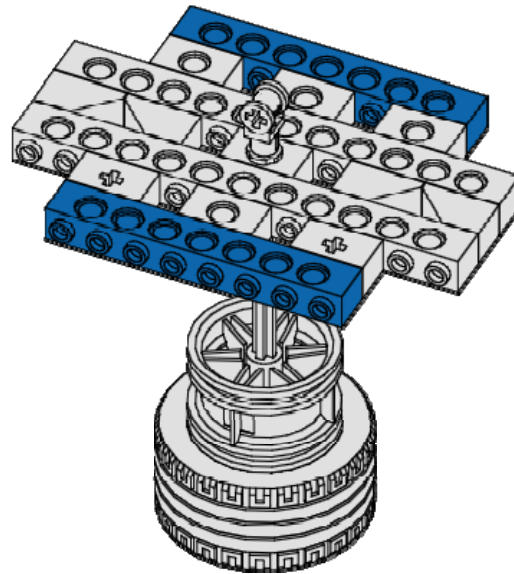
# Kepler Carrier

6  
of 16

2x

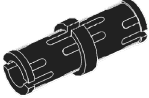
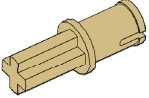


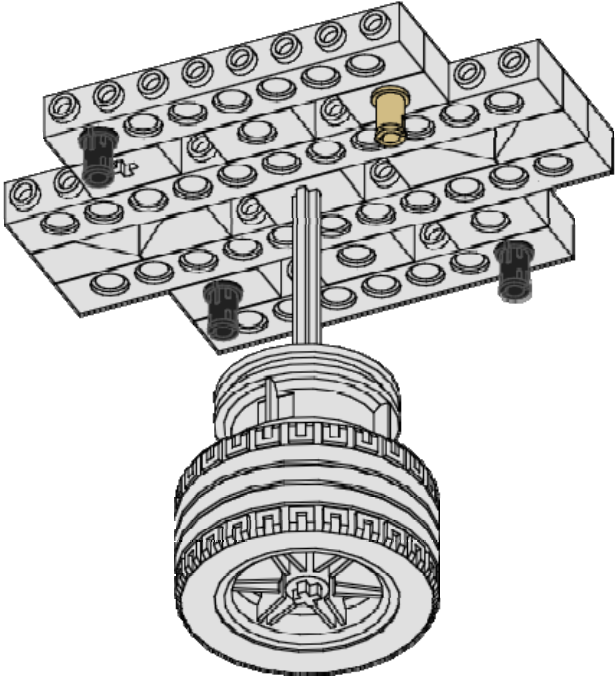
Brick 1x8  
Holes  
Blue





# Kepler Carrier

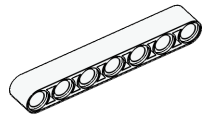
|                    |  |   |  |
|--------------------|--|---|--|
| <p>7<br/>of 16</p> | <p>3x</p>  <p>Pin Slots<br/>Black</p> | <p>1x</p>  <p>Pin - Axle<br/>Tan</p> |  |
|--------------------|--|---|--|



# Kepler Carrier

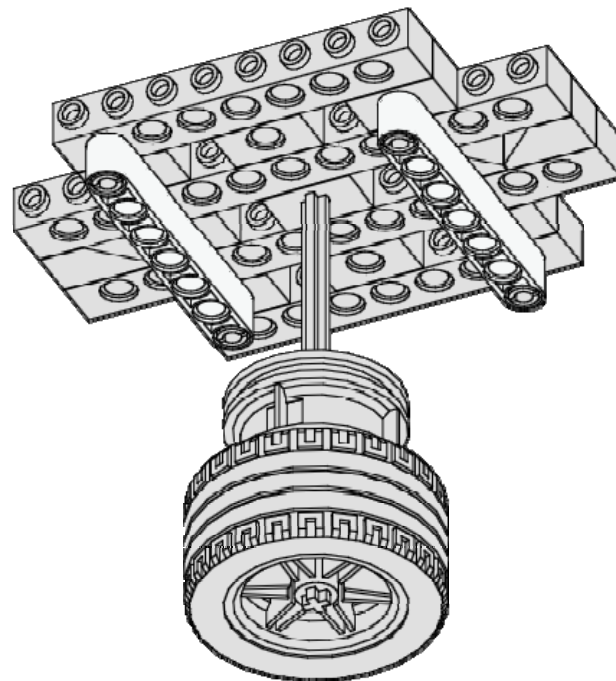
8  
of 16

2x



Liftarm 1x7

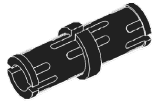
White



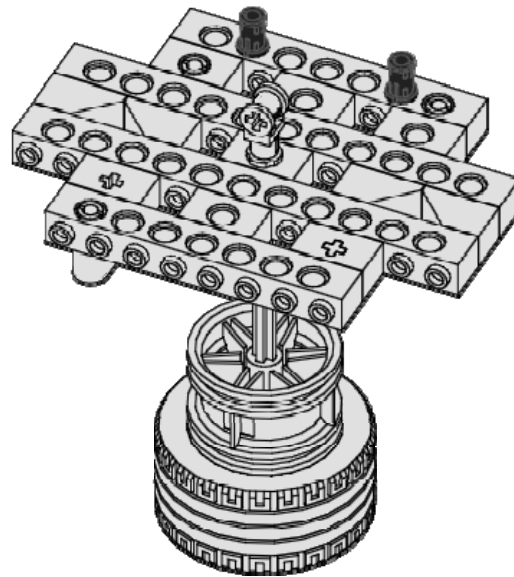
# Kepler Carrier

9  
of 16

2x



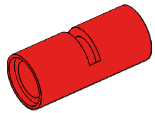
Pin  
Slots  
Black



# Kepler Carrier

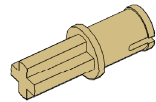
10  
of 16

2x

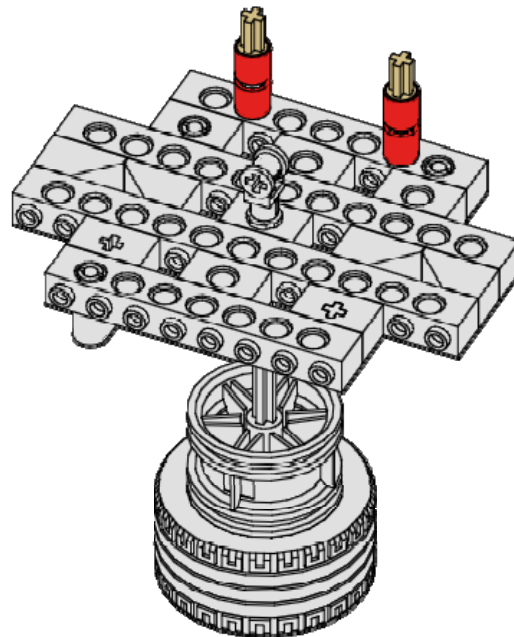


Bushing  
Spacer  
Red

2x



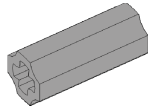
Pin - Axle  
Tan



# Kepler Carrier

11  
of 16

2x

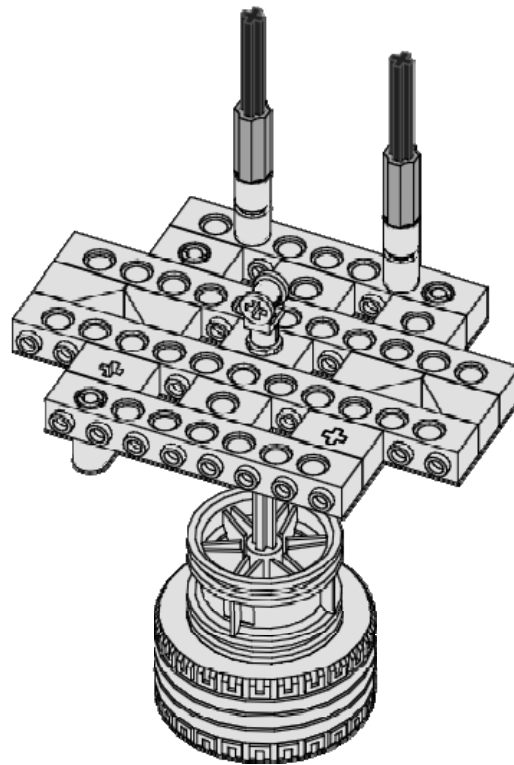


Connector  
Union  
Light Gray

2x



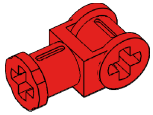
Axle 4  
Black



# Kepler Carrier

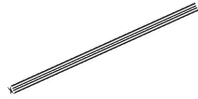
12  
of 16

2x

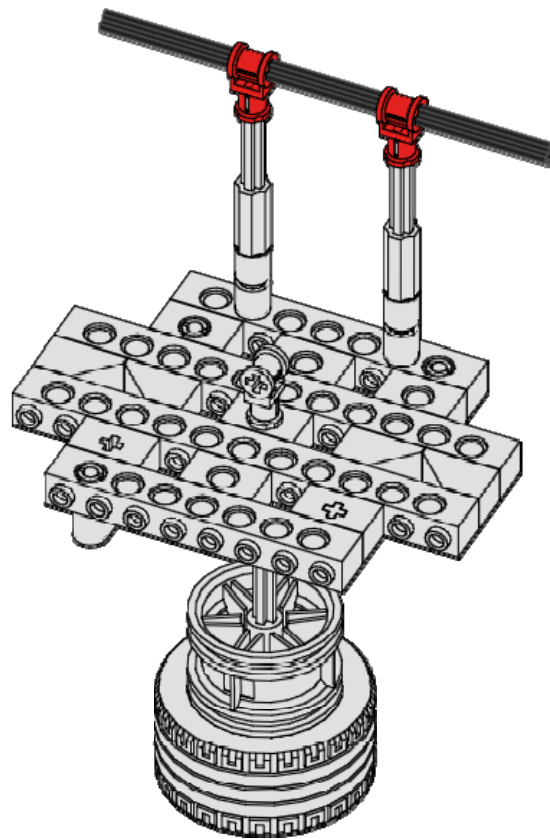


Connector 1x2  
90 Degree  
Red

1x



Axle 12  
Black



# Kepler Carrier

13  
of 16

2x

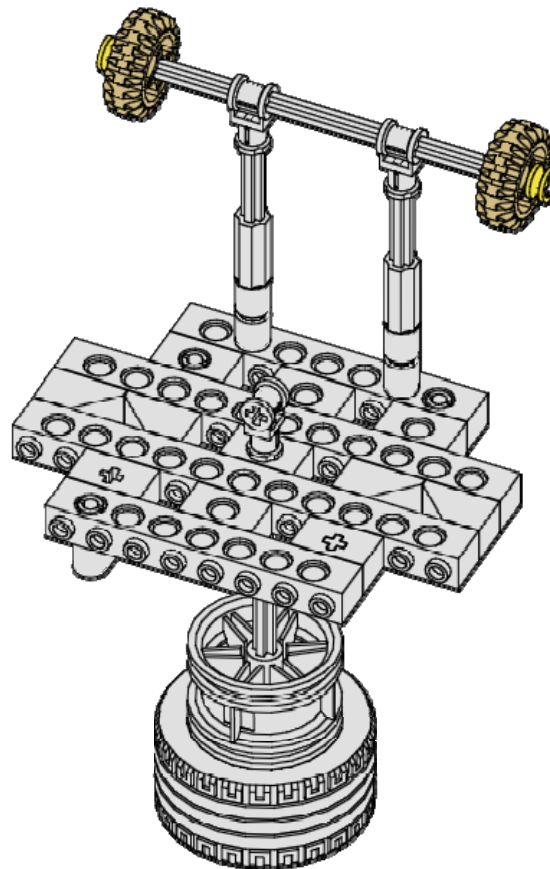


Gear - 20 Tooth  
Double Bevel  
Tan

2x



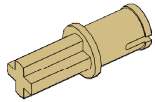
Bushing  
1/2  
Yellow



# Kepler Carrier

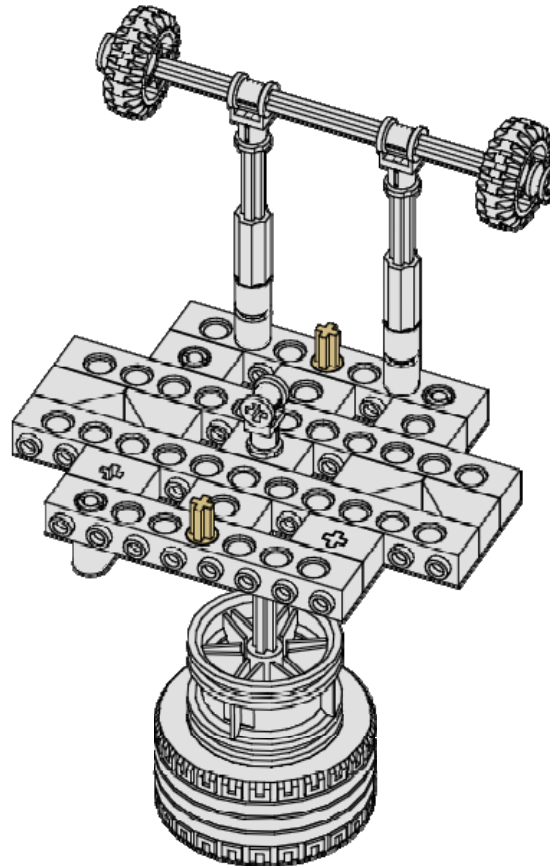
14  
of 16

2x



Pin - Axle

Tan

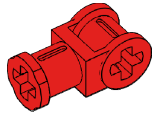




# Kepler Carrier

15  
of 16

2x

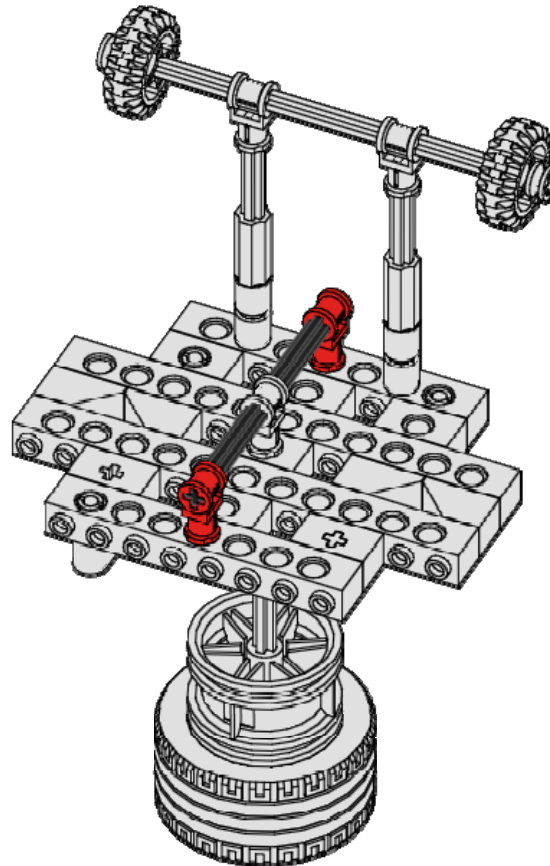


Connector 1x2  
90 Degree  
Red

1x



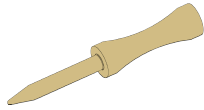
Axle 8  
Black



# Kepler Carrier

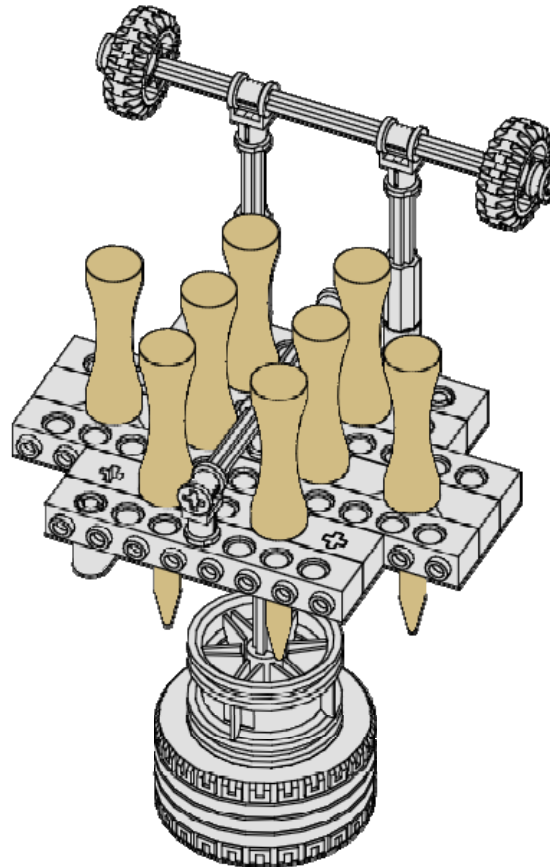
16  
of 16

8x

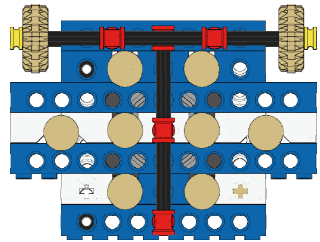


TEE

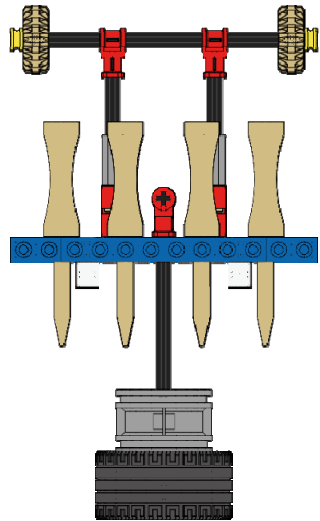
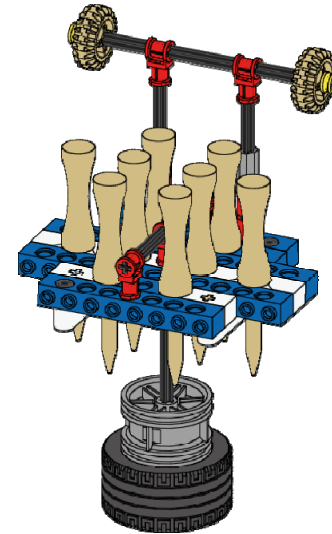
Wood



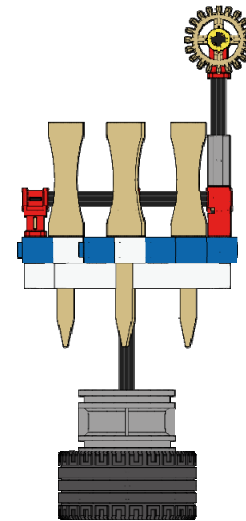
# Kepler Carrier



Top View



Front View



Side View