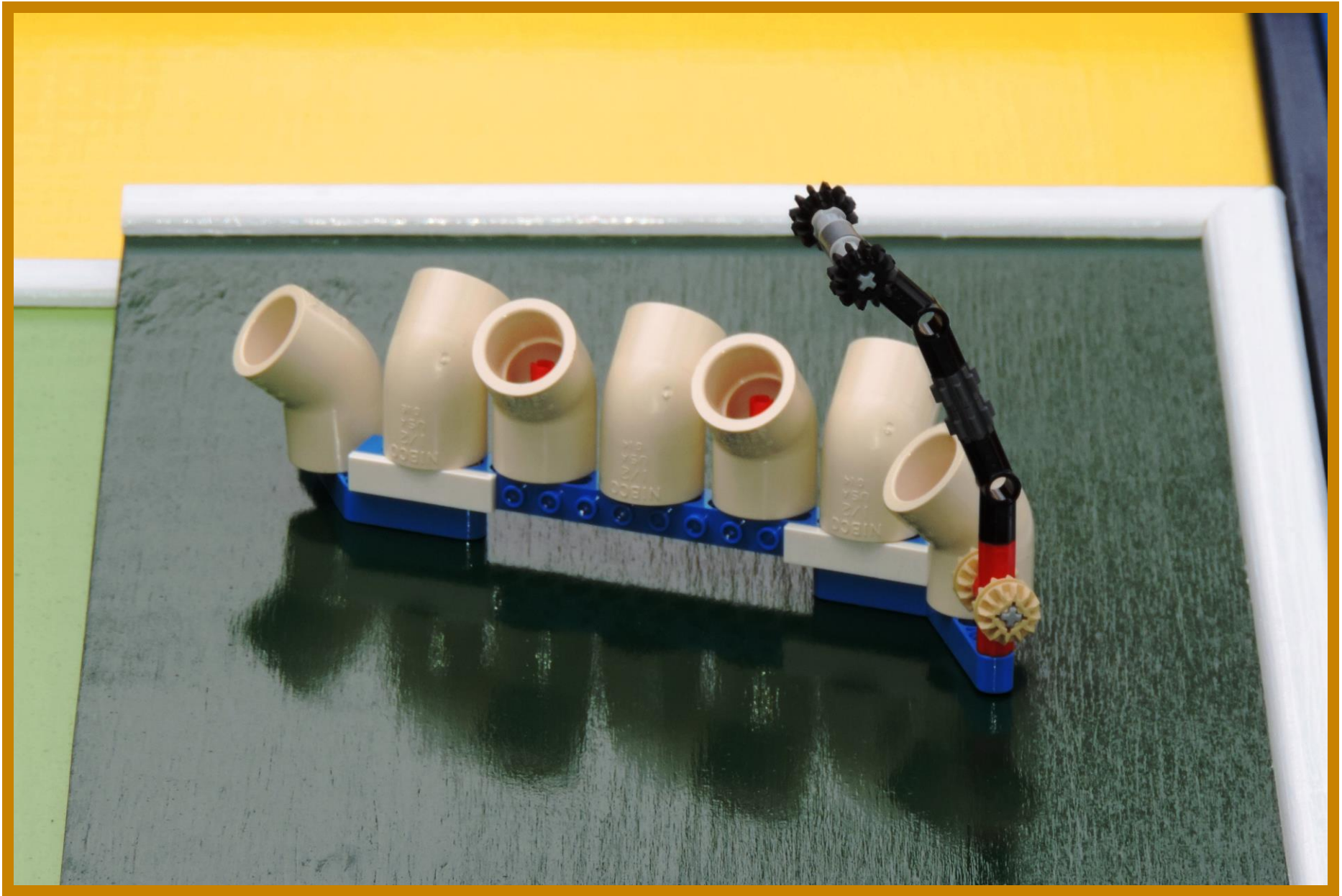

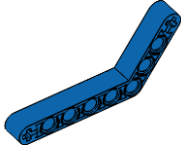
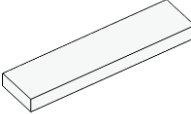
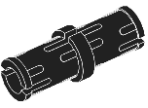
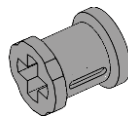
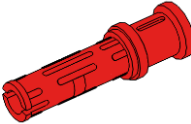
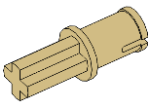
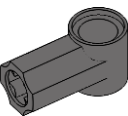
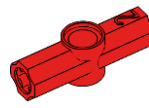
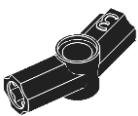
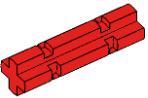
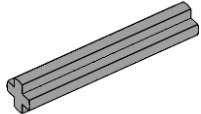

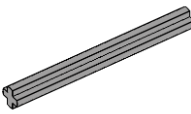

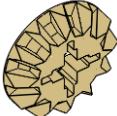




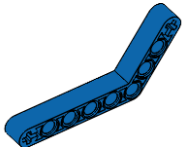
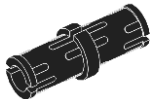
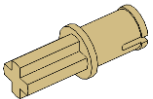

Big Bend Carrier




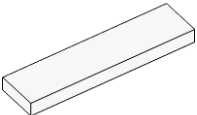
Big Bend Carrier

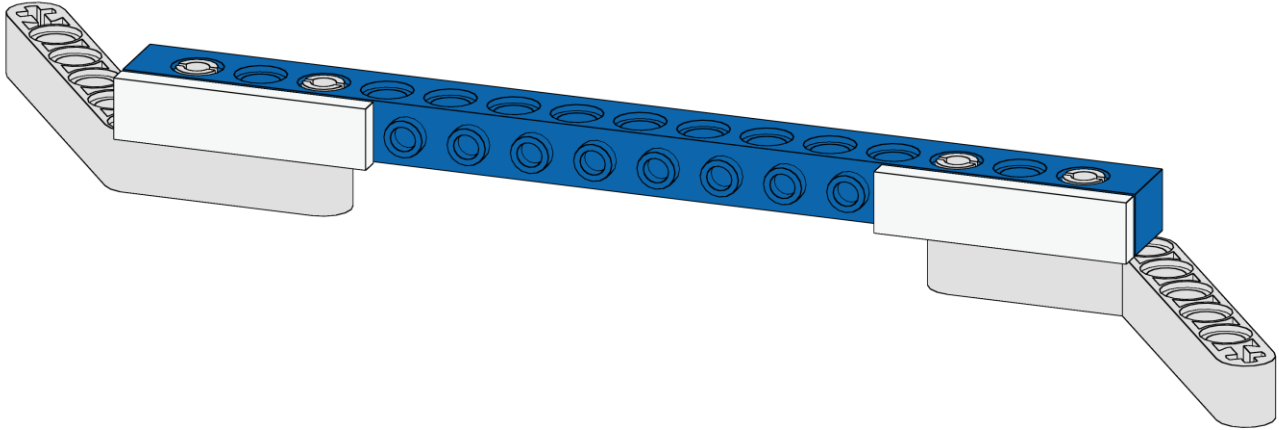
1x  Brick 1x16 Holes Blue	2x  Liftarm 1x4x6 Blue		2x  Plate 1x4 Tile White				
2x  Pin Slots Black		2x  Bushing Light Gray	7x  Pin - Long Axle Hole Red	9x  Pin - Axle Tan	1x  Connector 1x2 90 Degree Dark Gray	1x  Connector Union - Hole Red	2x  Connector 30 Degree Black
3x  Axle 2 Notched Red	1x  Axle 3 Light Gray	1x  Axle 4 Black	1x  Axle 5 Light Gray				
2x  Gear - 8 Tooth Dark Gray	4x  Gear - 12 Tooth Bevel Tan	2x  Gear - 12 Tooth Double Bevel Black					7x  Robomole Tan

Big Bend Carrier

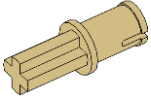
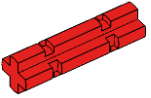
<p>1 of 12</p>	<p>2x</p>  <p>Liftarm 1x4x6 Blue</p>	<p>2x</p>  <p>Pin Slots Black</p>	<p>2x</p>  <p>Pin - Axle Tan</p>	
				

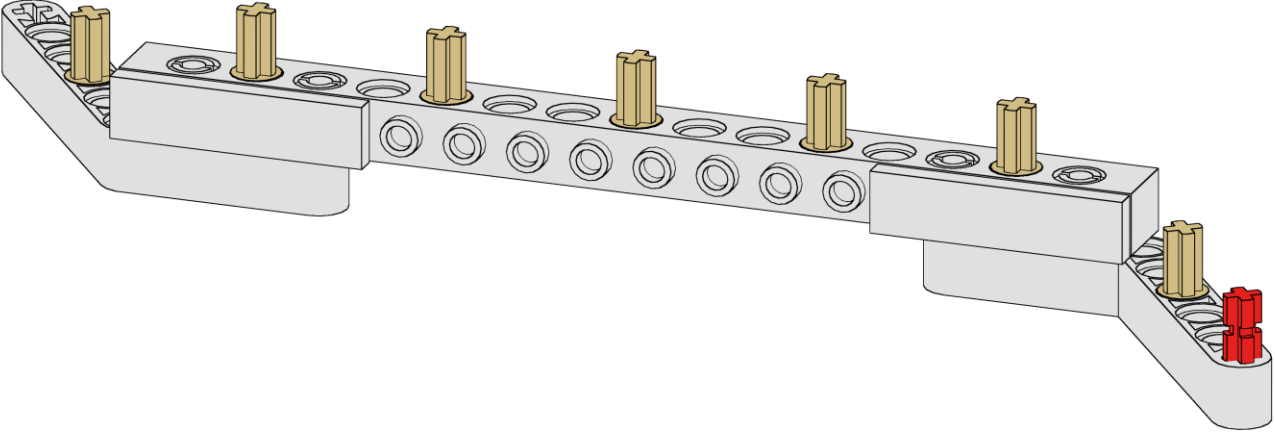
Big Bend Carrier

<p>2 of 12</p>	<p>1x</p>  <p>Brick 1x16 Holes Blue</p>	<p>2x</p>  <p>Plate 1x4 Tile White</p>	
--------------------	--	---	--



Big Bend Carrier

<p>3 of 12</p>	<p>7x</p>  <p>Pin - Axle Tan</p>	<p>1x</p>  <p>Axle 2 Notched Red</p>	
--------------------	---	---	--

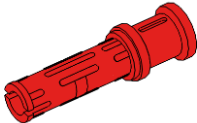


The diagram shows a grey Technic beam assembly with a 90-degree bend. Seven tan pin-axles are inserted into the top holes of the beam. At the end of the bent section, a red axle 2 notched is inserted into the top hole, and a red axle 2 notched is inserted into the bottom hole of the same hole.

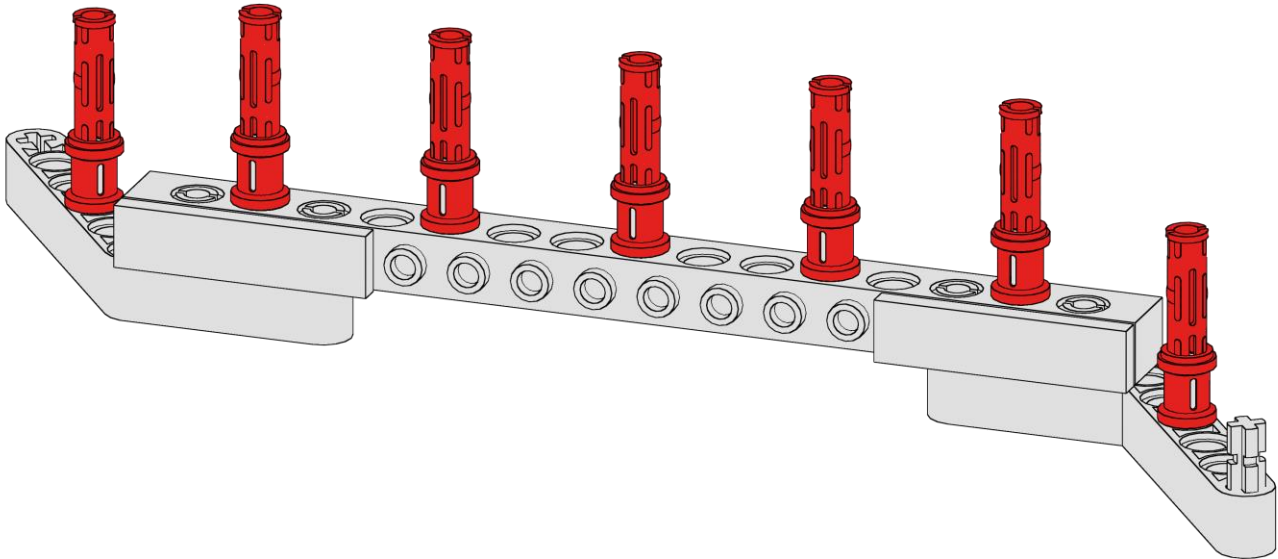
Big Bend Carrier

4
of 12

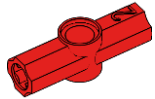
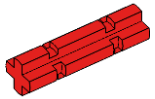
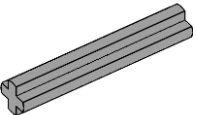
7x

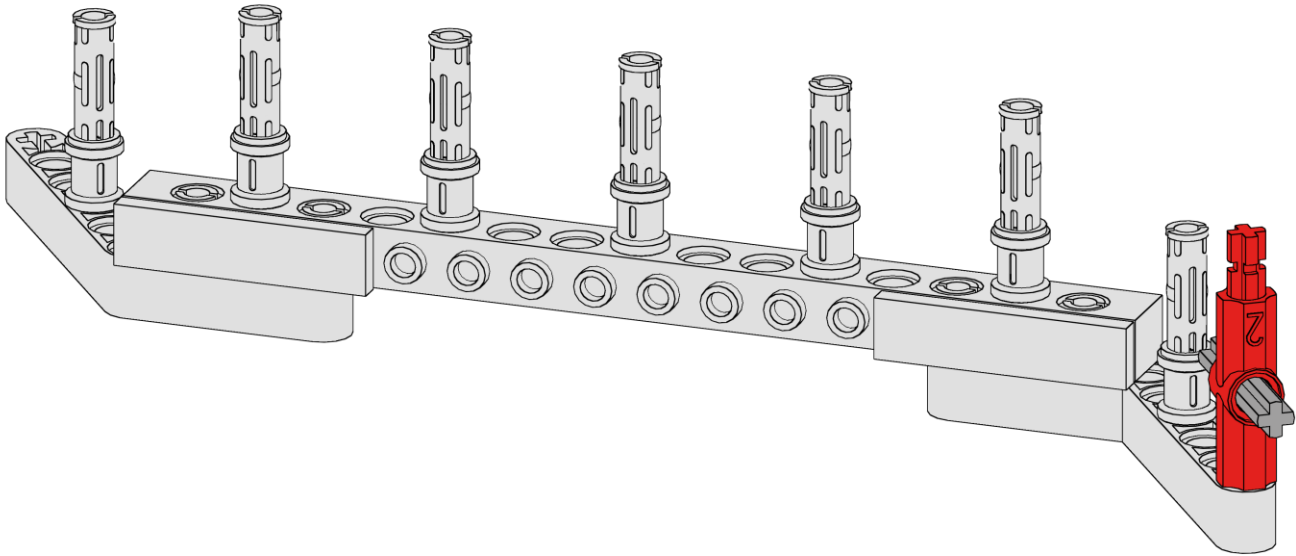


Pin - Long
Axle Hole
Red



Big Bend Carrier

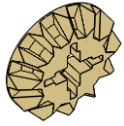
<p>5 of 12</p>	<p>1x</p>  <p>Connector Union - Hole Red</p>	<p>1x</p>  <p>Axle 2 Notched Red</p>	<p>1x</p>  <p>Axle 3 Light Gray</p>	
--------------------	---	---	---	--



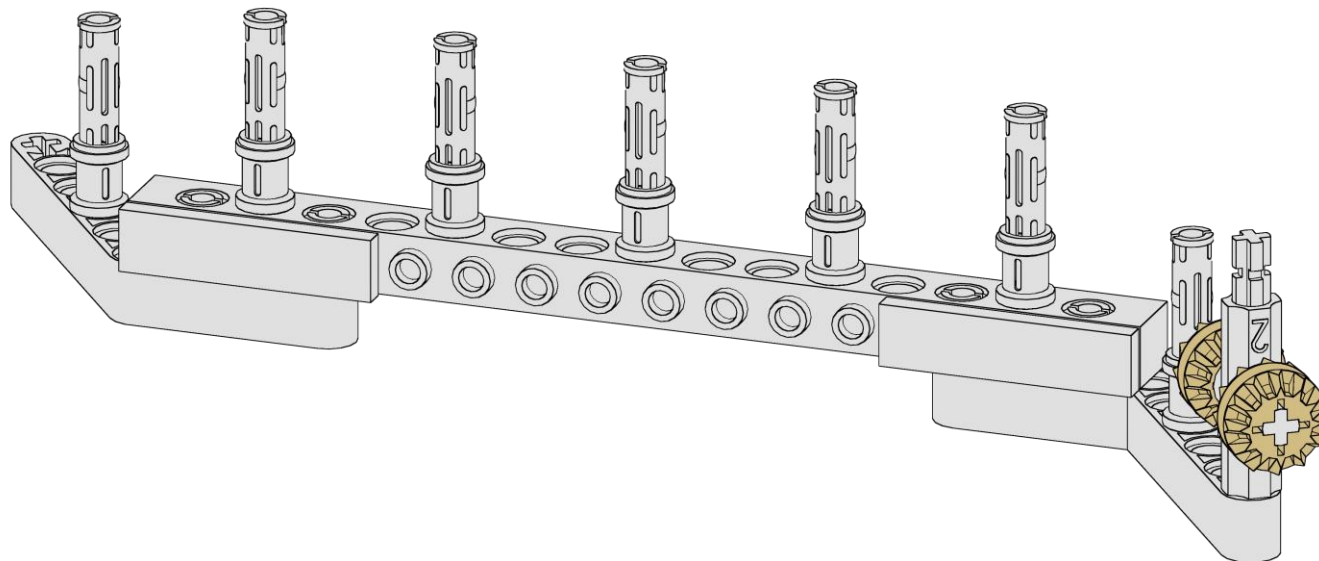
Big Bend Carrier

6
of 12



4x

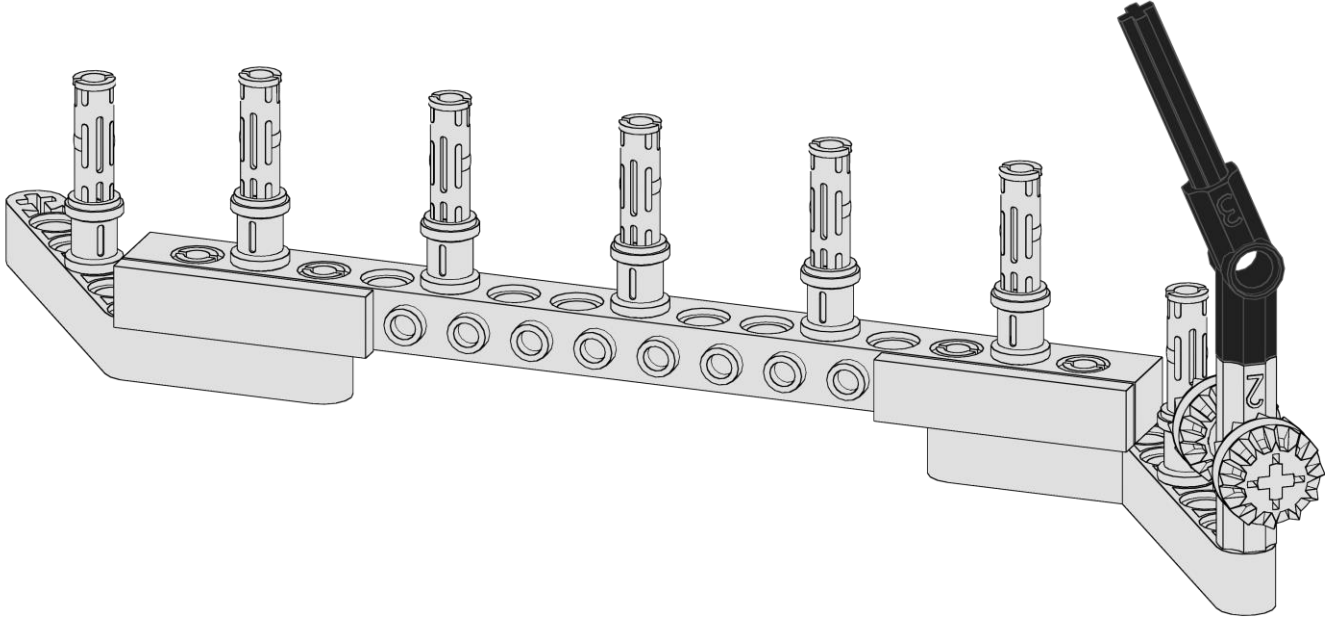


Gear - 12 Tooth
Bevel
Tan



Big Bend Carrier

<p>7 of 12</p>	<p>1x</p>  <p>Connector 30 Degree Black</p>	<p>1x</p>  <p>Axle 4 Black</p>	
--------------------	--	---	--



Big Bend Carrier

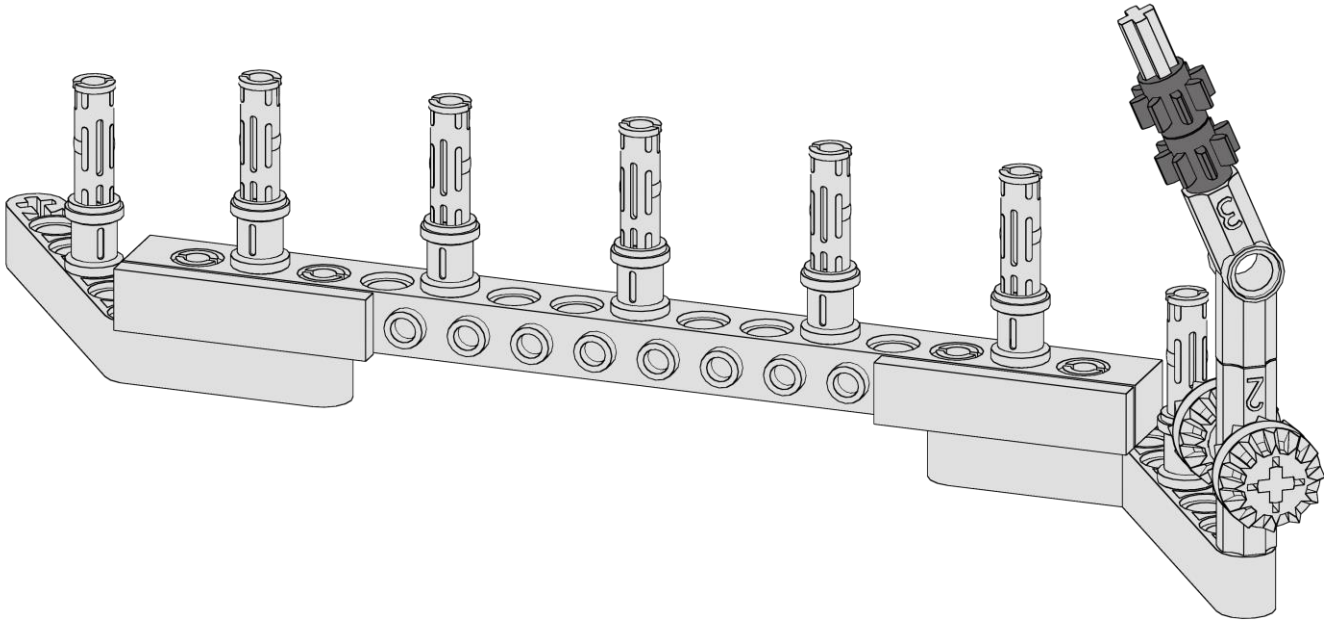
8
of 12

2x


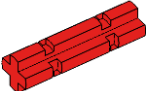


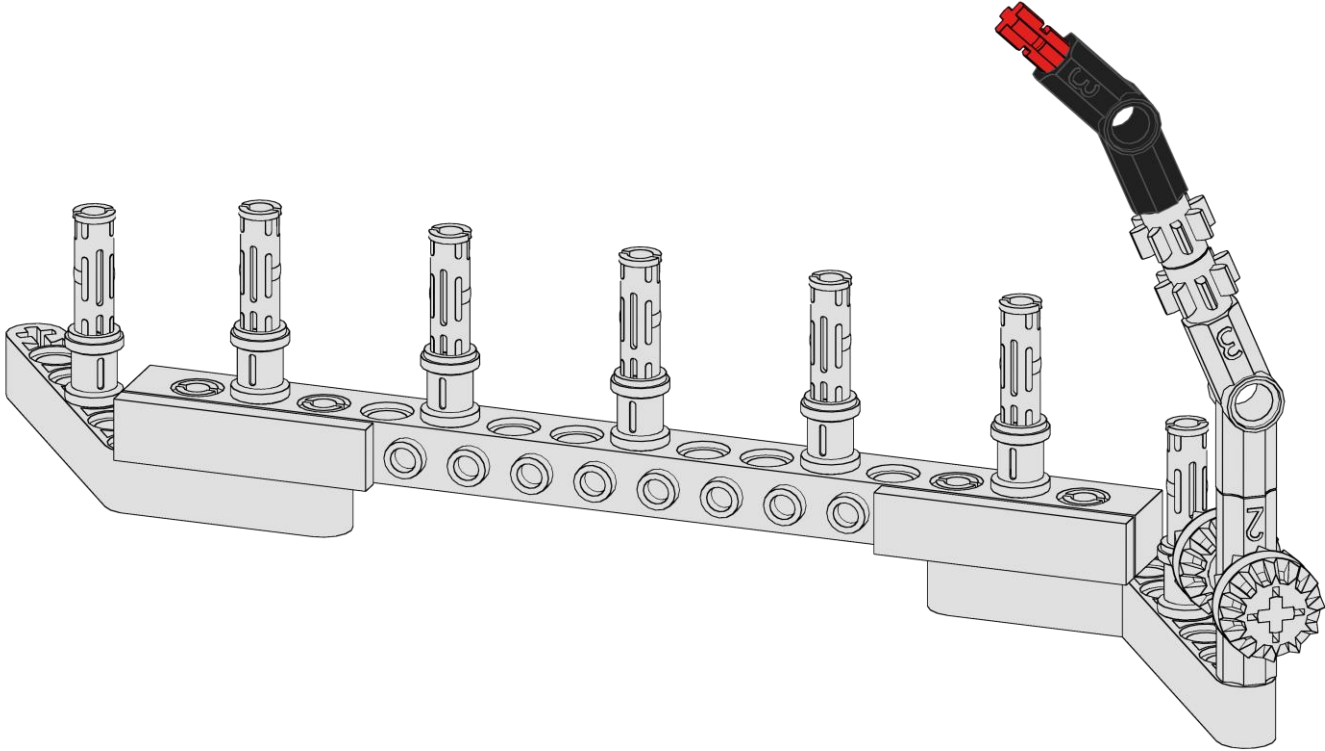
Gear - 8 Tooth

Dark Gray



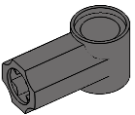
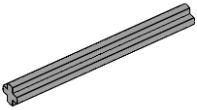
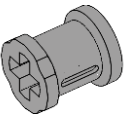
Big Bend Carrier

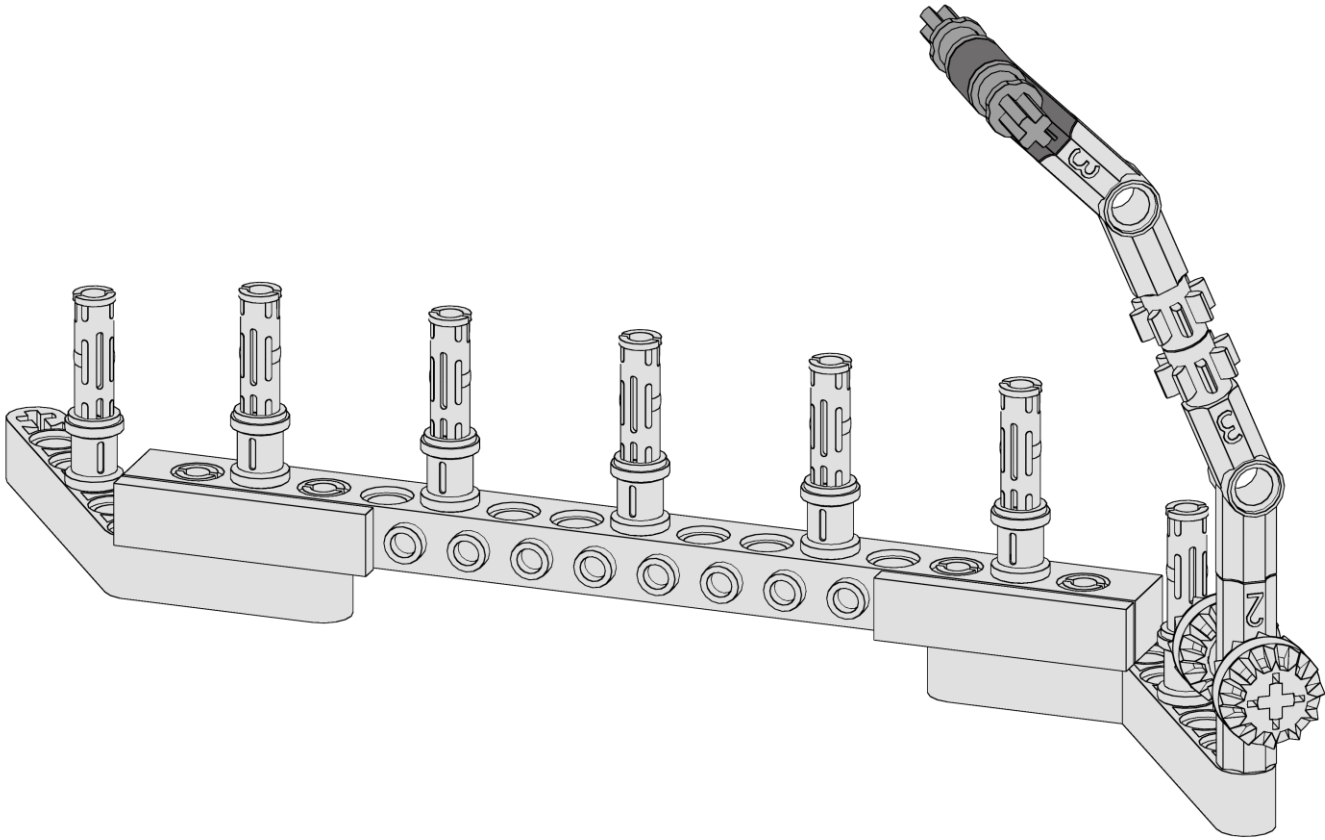
<p>9 of 12</p>	<p>1x</p>  <p>Connector 30 Degree Black</p>	<p>1x</p>  <p>Axle 2 Notched Red</p>	
--------------------	--	---	--



The diagram illustrates the assembly of the 'Big Bend Carrier'. It shows a grey carrier assembly consisting of a long horizontal beam with several vertical pins. On the right side, a black 30-degree connector is being attached to the end of the beam. A red axle 2 notched piece is being inserted into the connector. The carrier assembly is shown in a perspective view, highlighting its L-shaped structure and the various components it holds.

Big Bend Carrier

<p>10 of 12</p>	<p>1x</p>  <p>Connector 1x2 90 Degree Dark Gray</p>	<p>1x</p>  <p>Axle 5 Light Gray</p>	<p>2x</p>  <p>Bushing Light Gray</p>	
---------------------	--	--	--	--



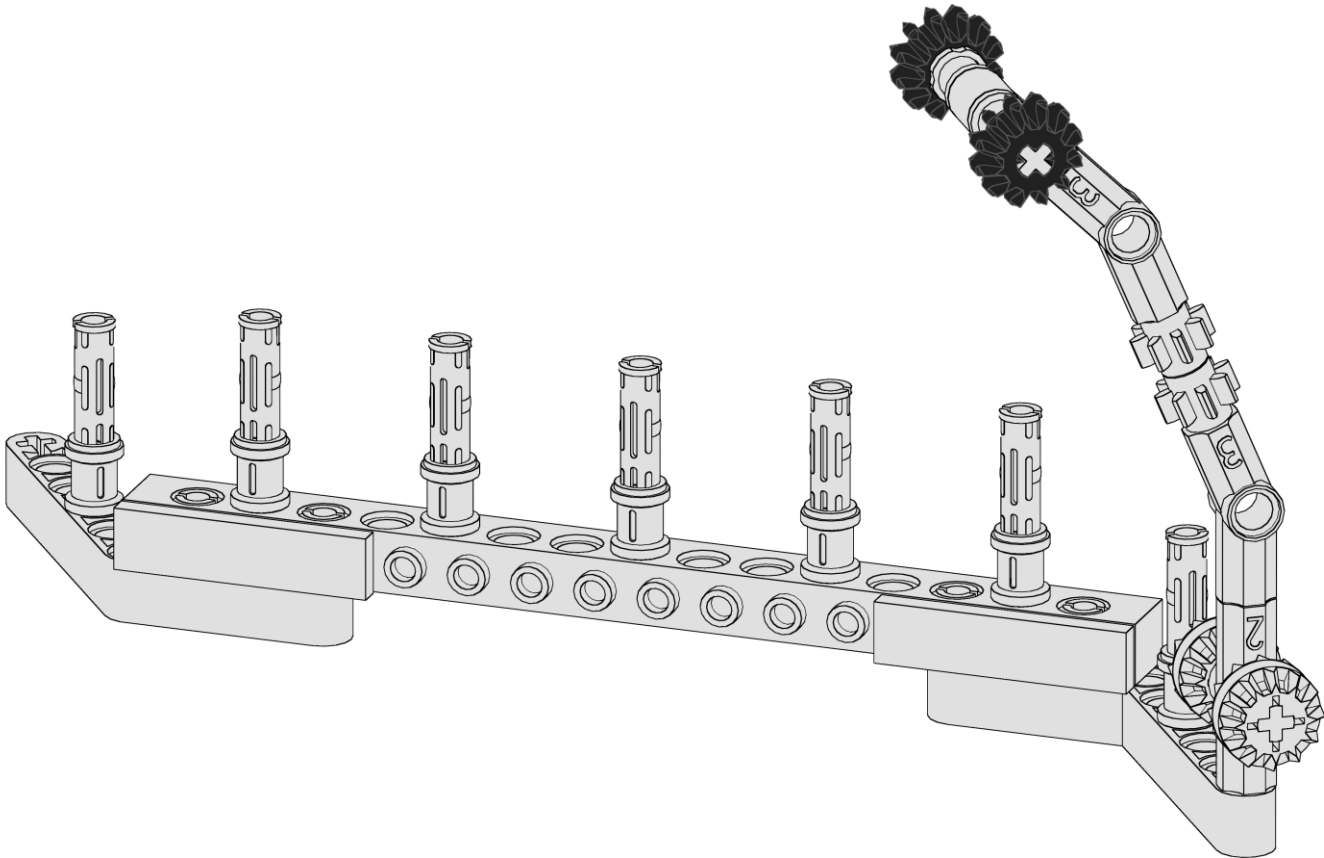
Big Bend Carrier

11
of 12

2x



Gear - 12 Tooth
Double Bevel
Black



Big Bend Carrier

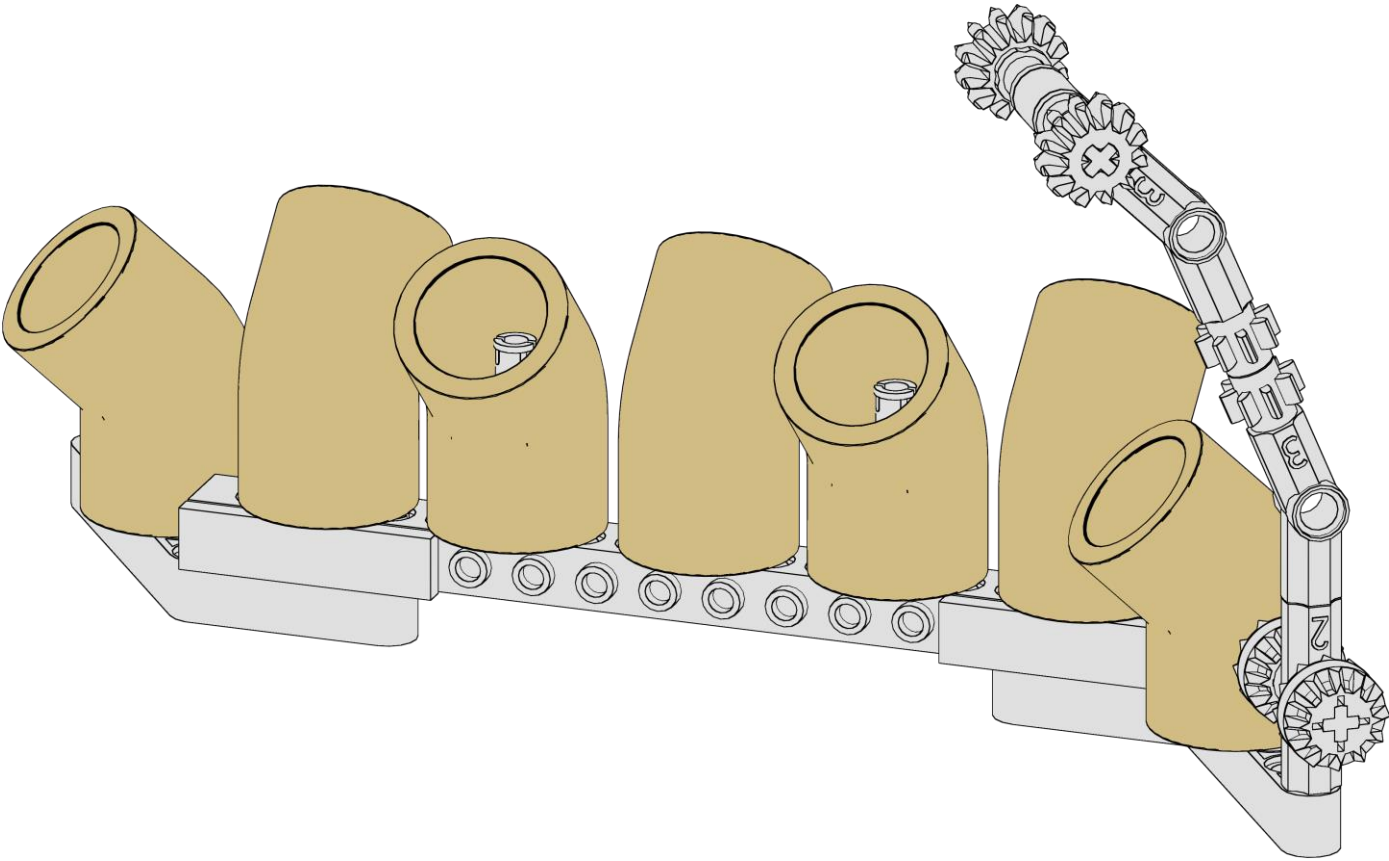
12
of 12

7x



Robomole

Tan



Big Bend Carrier

