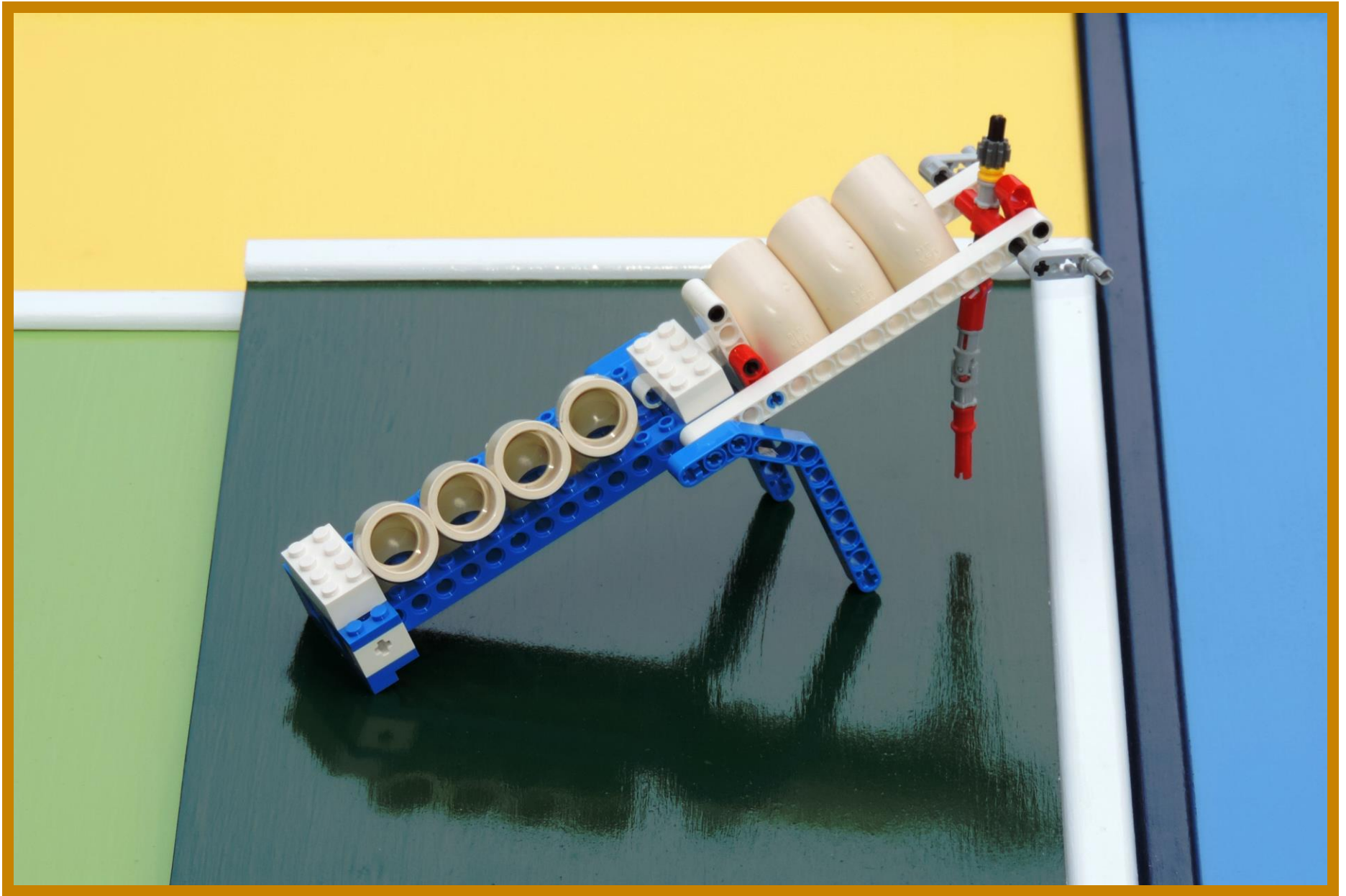
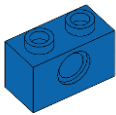

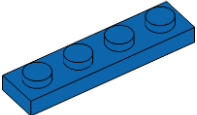
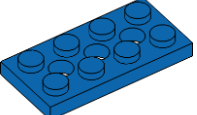
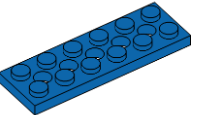
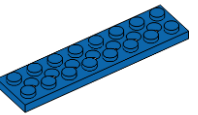
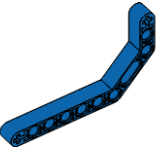
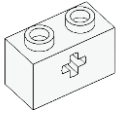
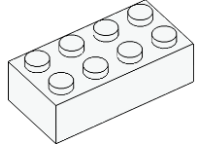
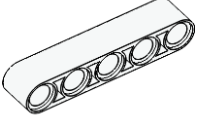

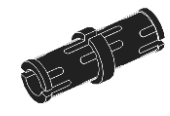
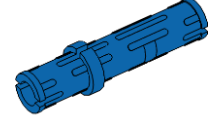
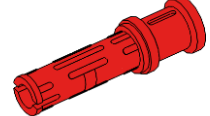
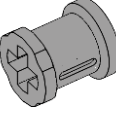

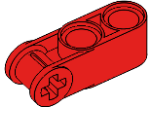
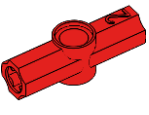
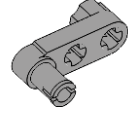
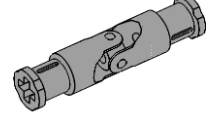
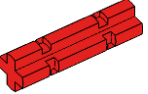




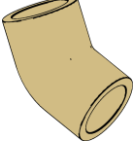


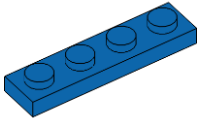
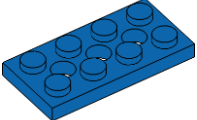
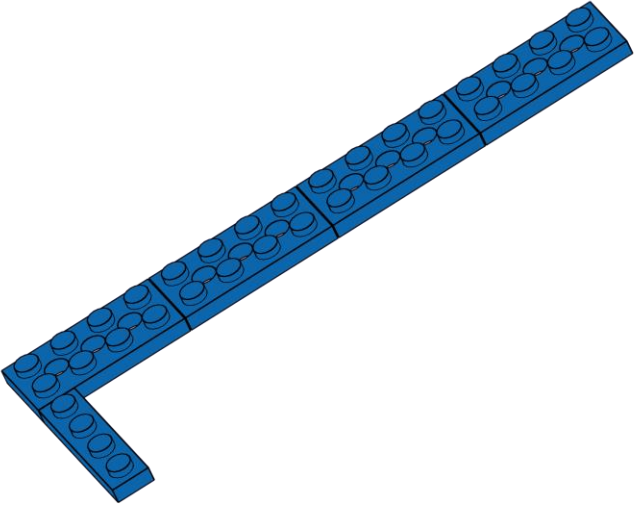
Yosemite Carrier



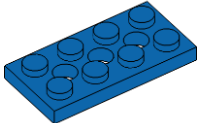
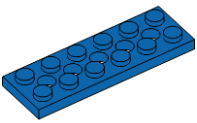
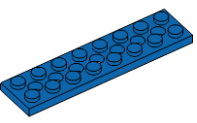
Yosemite Carrier

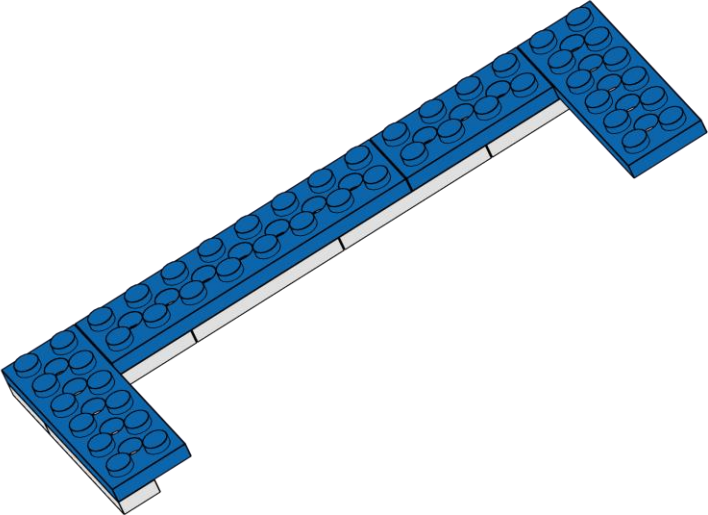
3x  Brick 1x2 Hole Blue	2x  Brick 1x16 Holes Blue	1x  Plate 1x4 Blue	5x  Plate 2x4 Holes Blue	3x  Plate 2x6 Holes Blue	1x  Plate 2x8 Holes Blue		2x  Liftarm 1x3x4x7 Blue
1x  Brick 1x2 Axle Hole White	2x  Brick 2x4 White	2x  Liftarm 1x5 White	2x  Liftarm 1x15 White		5x  Pin Slots Black	5x  Pin - Long Slots Blue	1x  Pin - Long Axle Hole Red
1x  Bushing Light Gray	1x  Bushing 1/2 Yellow		2x  Connector 1x3 90 Degree Red	2x  Connector Union - Hole Red		2x  Crank - Pin Light Gray	1x  Connector Universal Joint Light Gray
2x  Axle 2 Notched Red	2x  Axle 4 Black	1x  Axle 6 Black	1x  Axle 12 Black		1x  Gear - 8 Tooth Dark Gray		7x  Robomole Tan

Yosemite Carrier


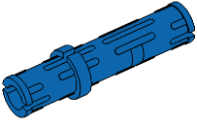
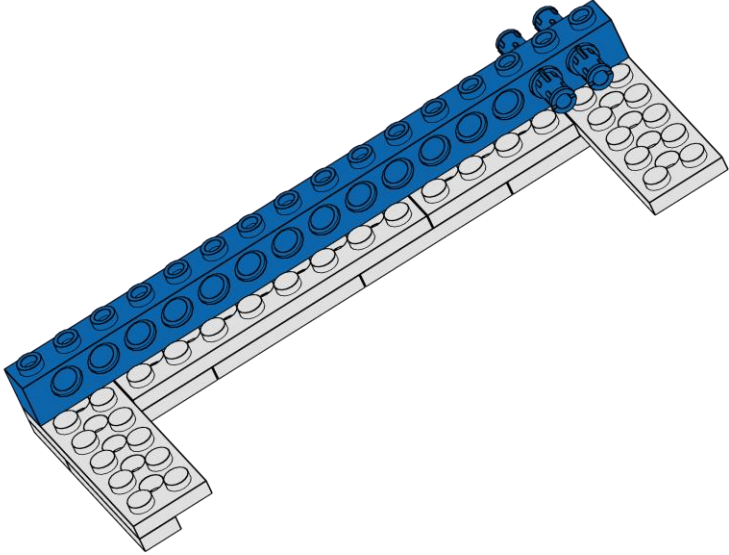
<p>1 of 20</p>	<p>1x</p>  <p>Plate 1x4 Blue</p>	<p>4x</p>  <p>Plate 2x4 Holes Blue</p>	
			

Yosemite Carrier

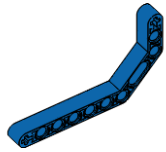

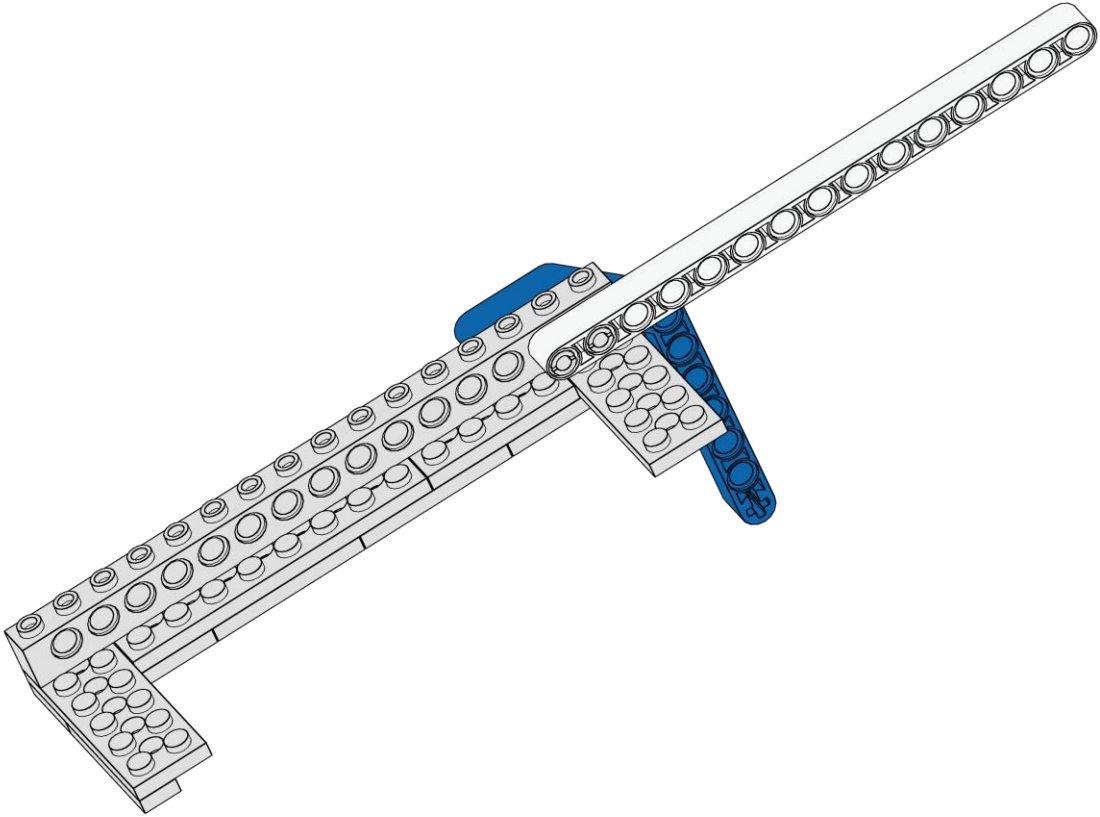
<p>2 of 20</p>	<p>1x</p>  <p>Plate 2x4 Holes Blue</p>	<p>2x</p>  <p>Plate 2x6 Holes Blue</p>	<p>1x</p>  <p>Plate 2x8 Holes Blue</p>	
--------------------	---	---	--	--



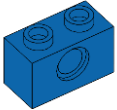
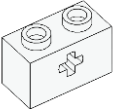
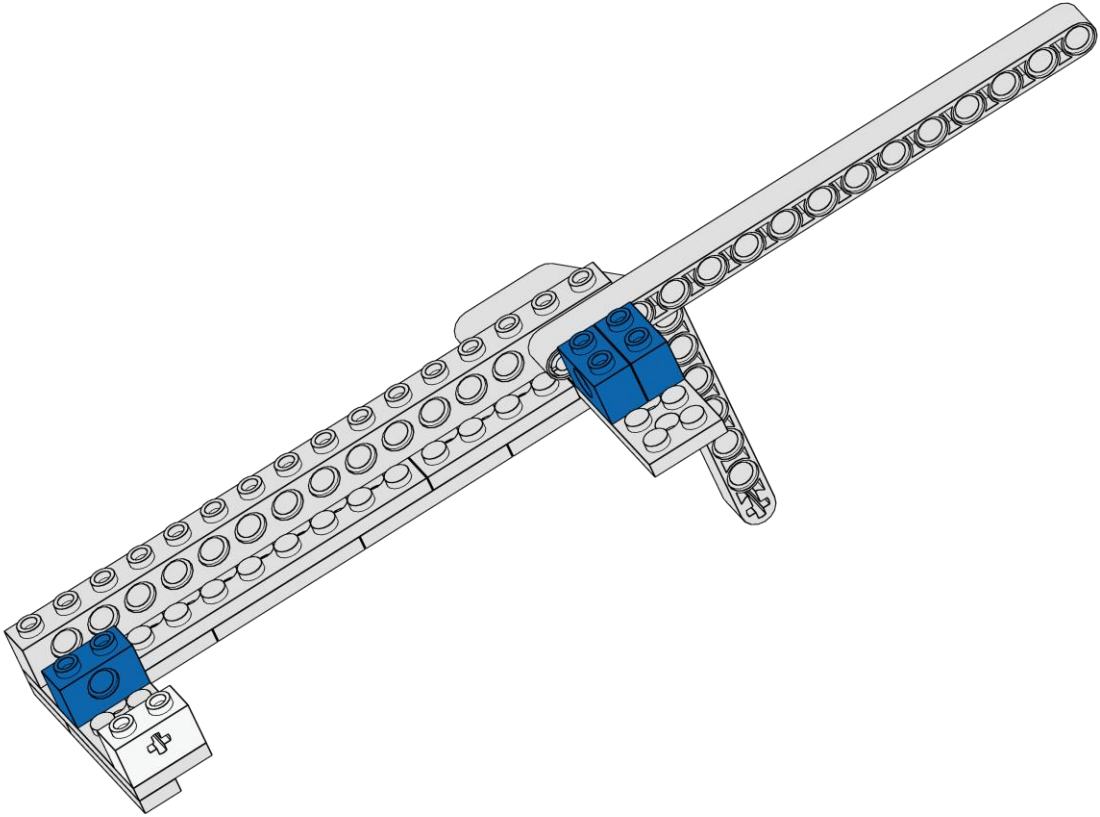
Yosemite Carrier

<p>3 of 20</p>	<p>1x</p>  <p>Brick 1x16 Holes Blue</p>	<p>2x</p>  <p>Pin - Long Slots Blue</p>	
			


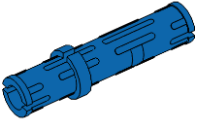
Yosemite Carrier

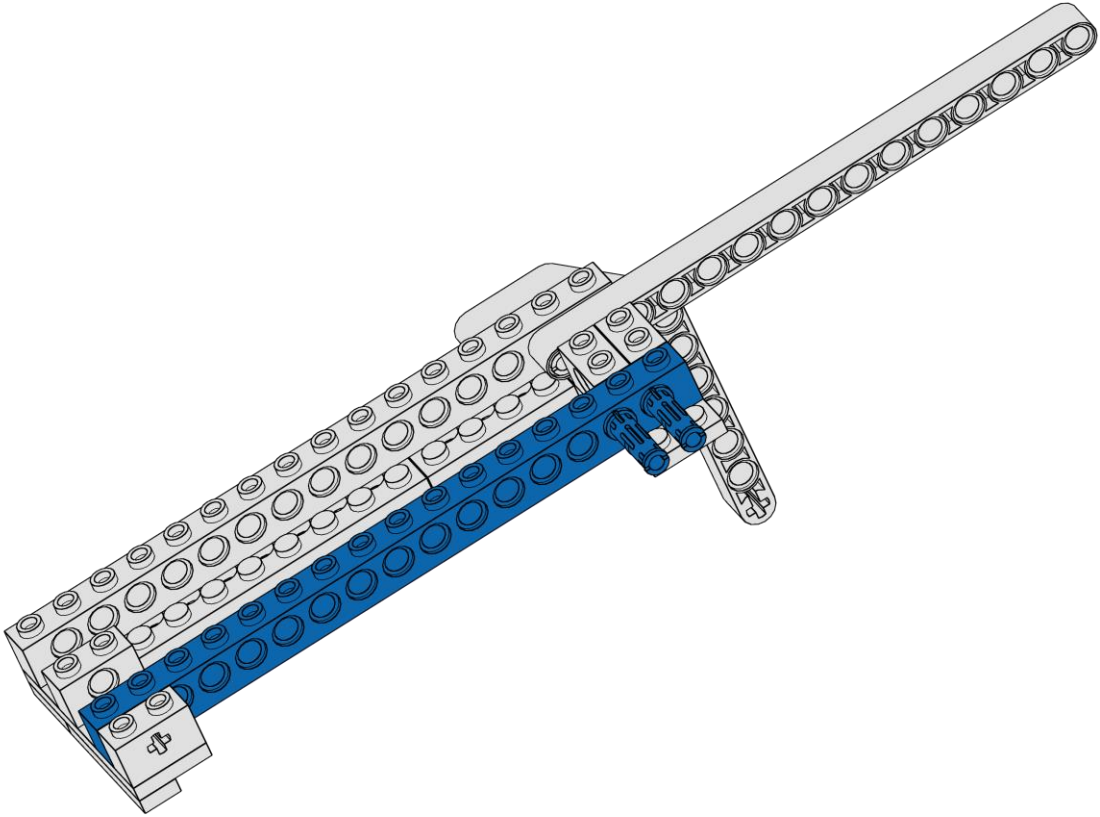
<p>4 of 20</p>	<p>1x</p>  <p>Liftarm 1x3x4x7 Blue</p>	<p>1x</p>  <p>Liftarm 1x15 White</p>	
			

Yosemite Carrier

<p>5 of 20</p>	<p>3x</p>  <p>Brick 1x2 Hole Blue</p>	<p>1x</p>  <p>Brick 1x2 Axle Hole White</p>	
			

Yosemite Carrier

<p>6 of 20</p>	<p>1x</p>  <p>Brick 1x16 Holes Blue</p>	<p>2x</p>  <p>Pin - Long Slots Blue</p>	
--------------------	--	--	--



Yosemite Carrier

7
of 20

1x

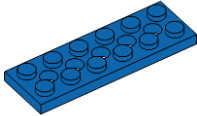
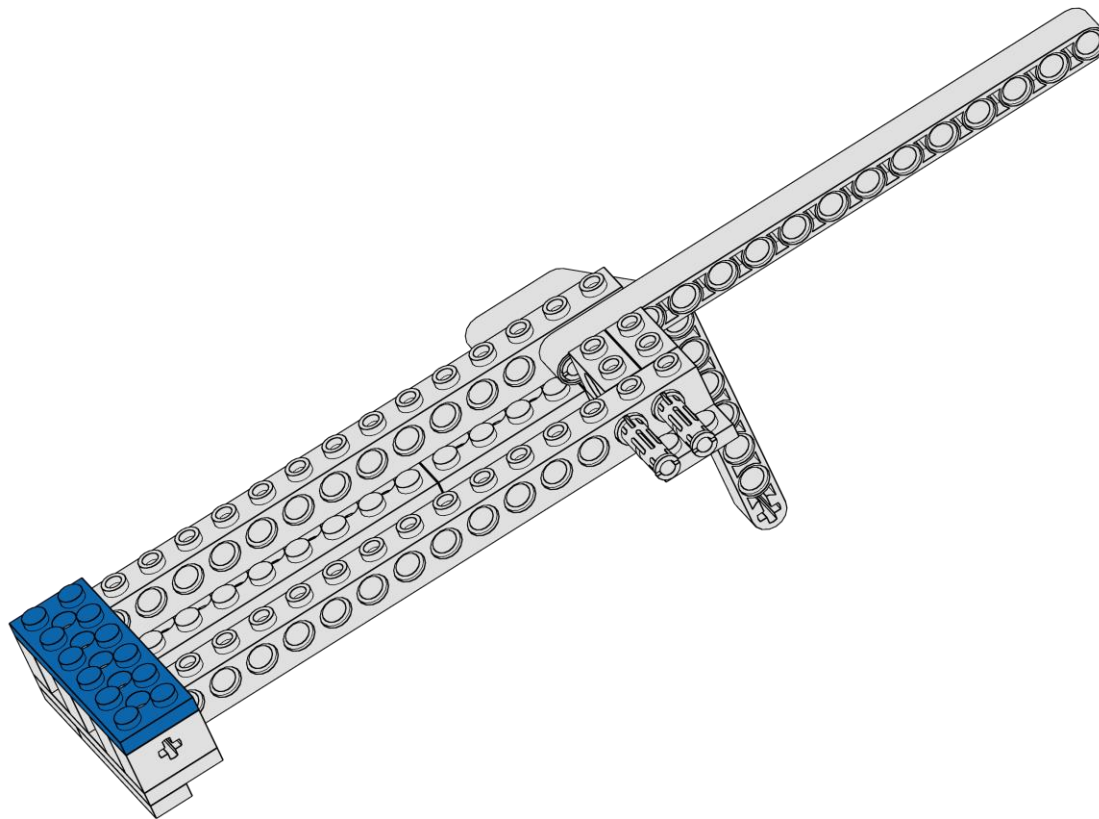


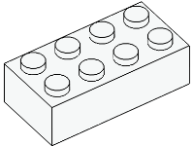
Plate 2x6
Holes
Blue



Yosemite Carrier

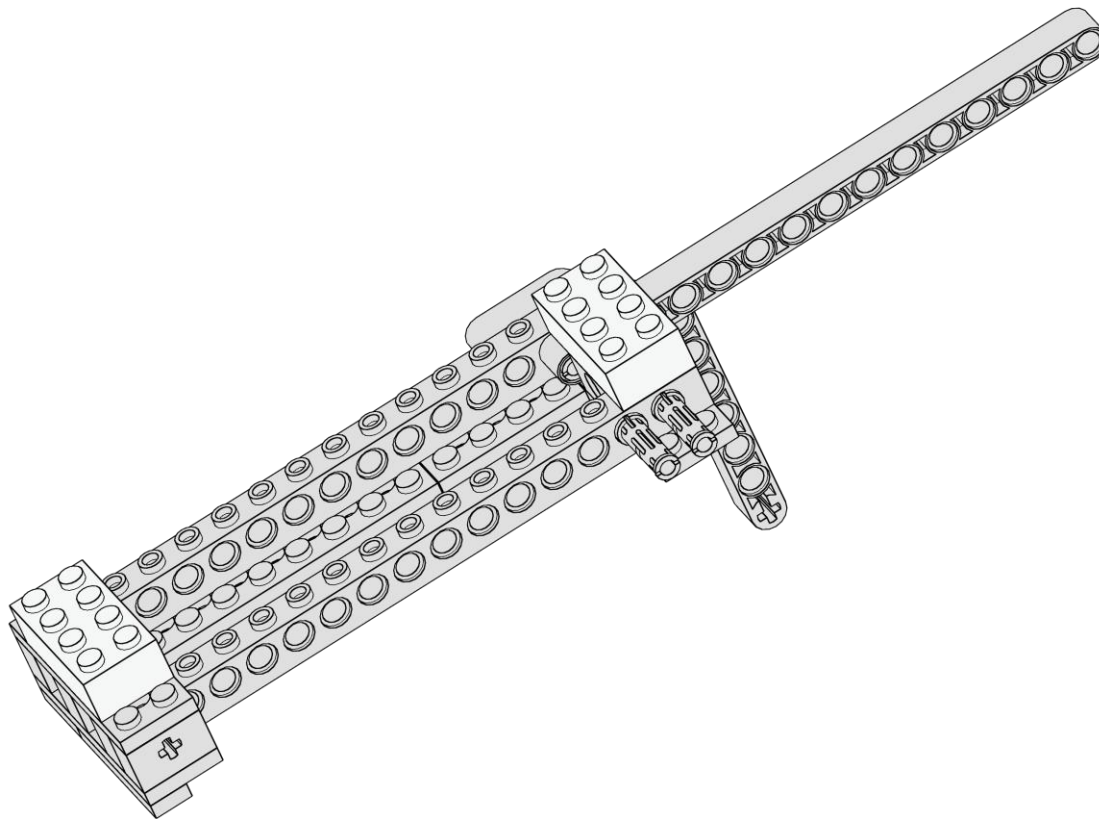
8
of 20

2x



Brick 2x4

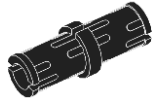
White



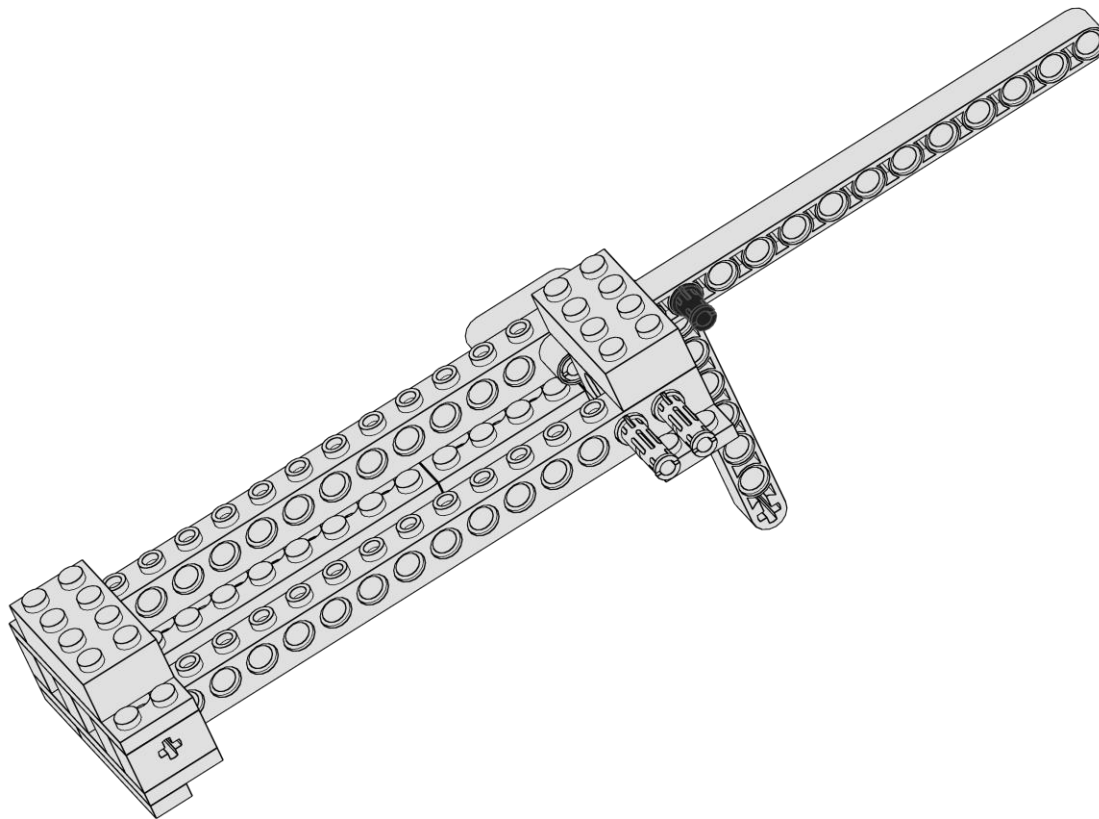
Yosemite Carrier

9
of 20

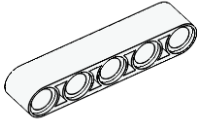
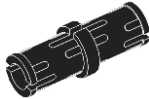
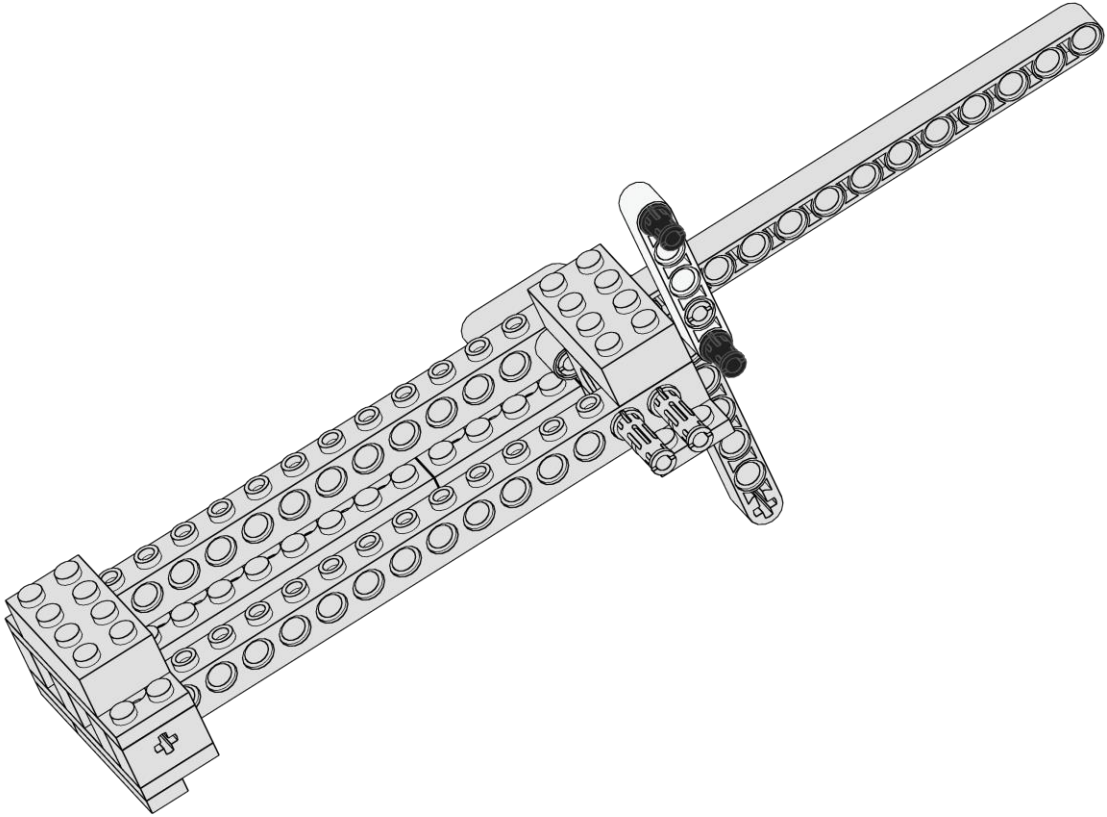
1x



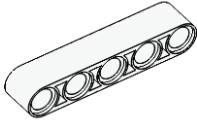
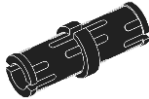
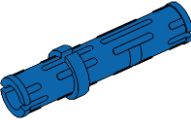
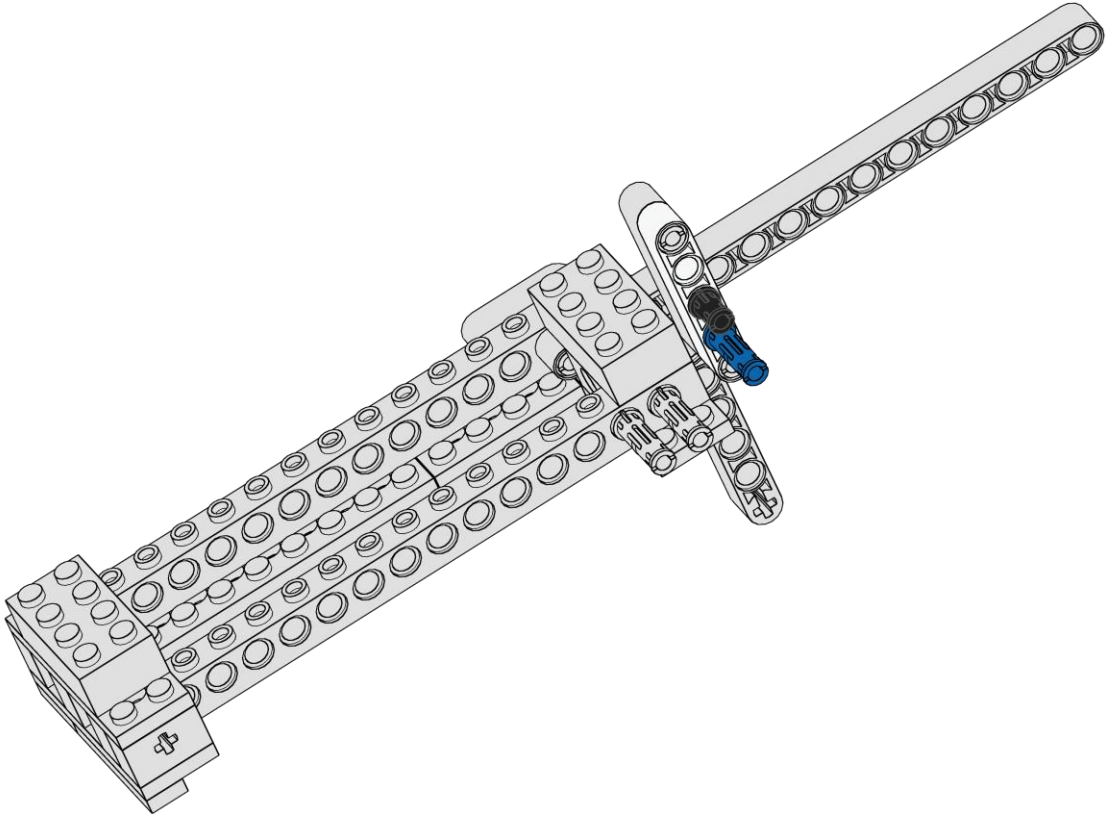
Pin
Slots
Black



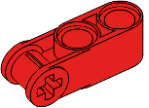

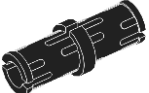
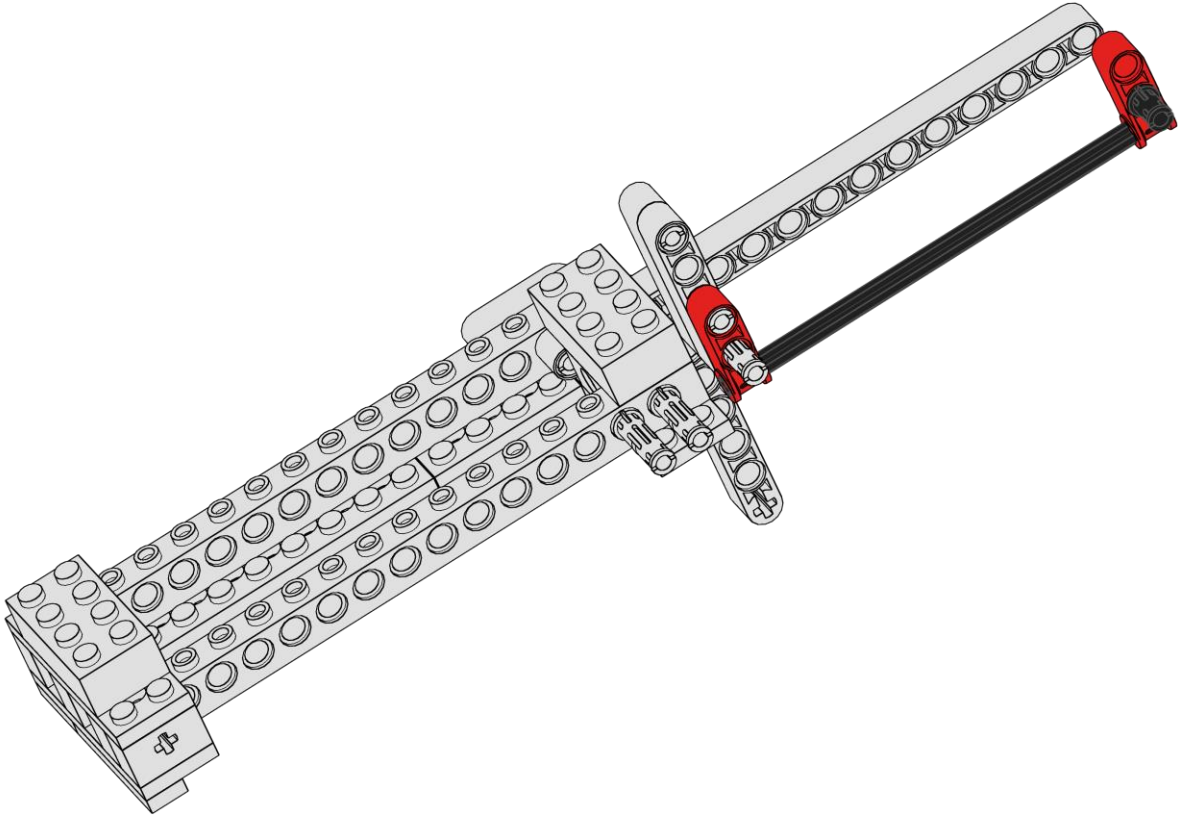
Yosemite Carrier

<p>10 of 20</p>	<p>1x</p>  <p>Liftarm 1x5 White</p>	<p>2x</p>  <p>Pin Slots Black</p>	
			


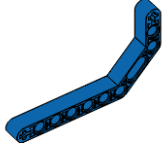
Yosemite Carrier

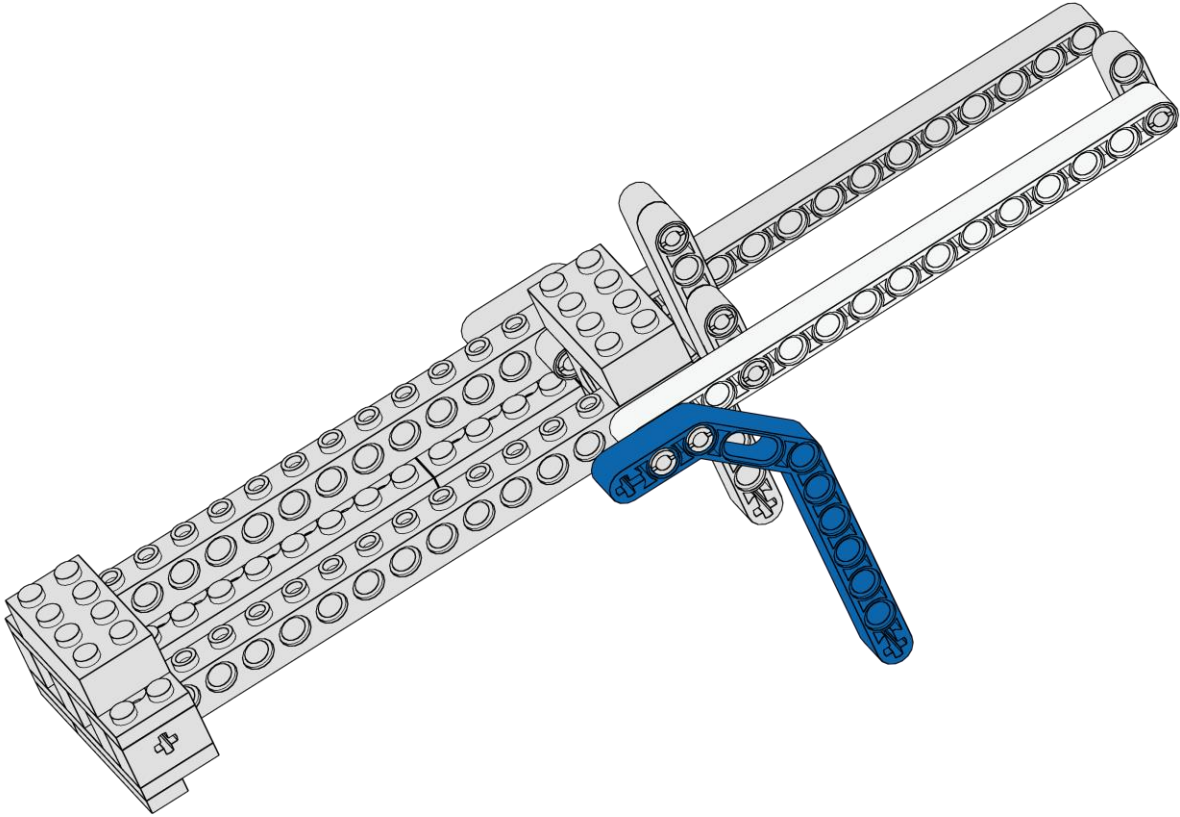
<p>11 of 20</p>	<p>1x</p>  <p>Liftarm 1x5 White</p>	<p>1x</p>  <p>Pin Slots Black</p>	<p>1x</p>  <p>Pin - Long Slots Blue</p>	
				

Yosemite Carrier

<p>12 of 20</p>	<p>2x</p>  <p>Connector 1x3 90 Degree Red</p>	<p>1x</p>  <p>Axle 12 Black</p>	<p>1x</p>  <p>Pin Slots Black</p>	
				

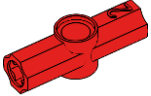

Yosemite Carrier

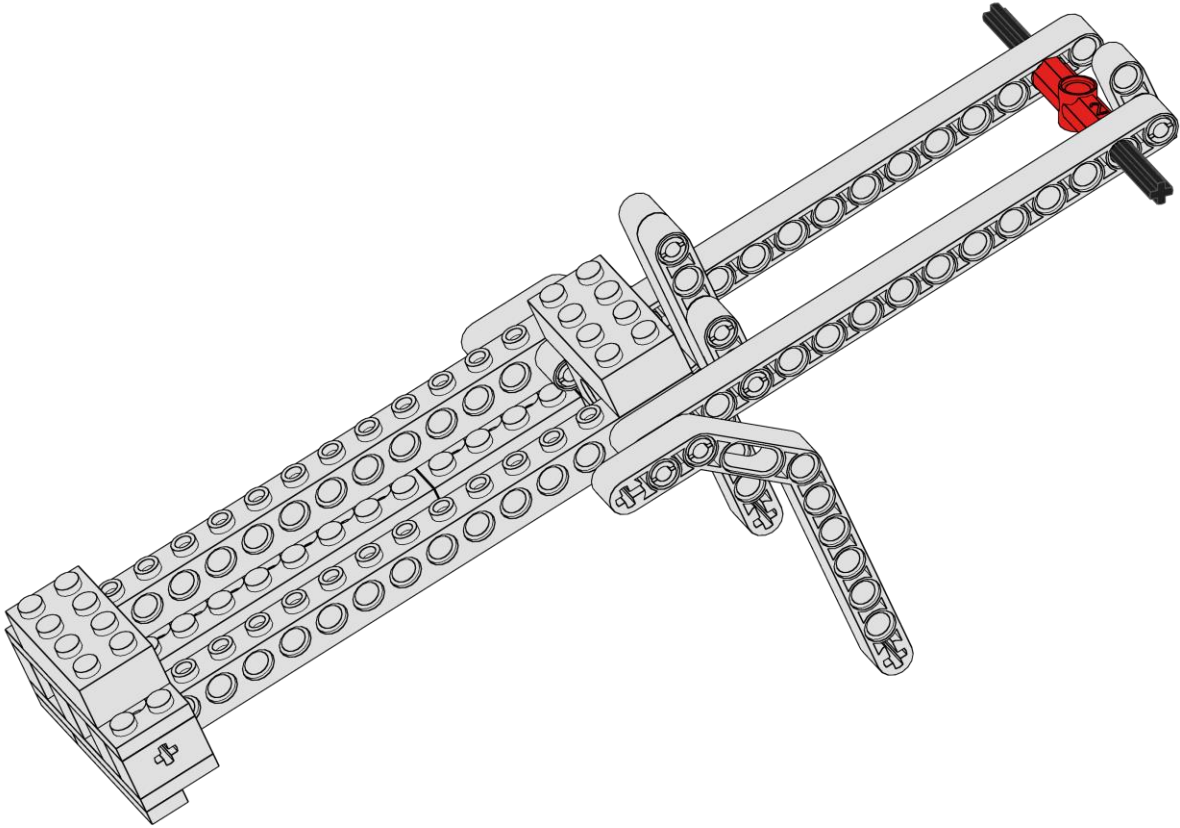
<p>13 of 20</p>	<p>1x</p>  <p>Liftarm 1x15 White</p>	<p>1x</p>  <p>Liftarm 1x3x4x7 Blue</p>	
---------------------	---	---	--



The diagram shows a perspective view of a grey base structure. A white liftarm (1x15) is being inserted into a hole on the top surface of the base. A blue liftarm (1x3x4x7) is being inserted into a hole on the side of the base, positioned to connect with the white liftarm.


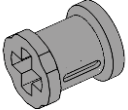


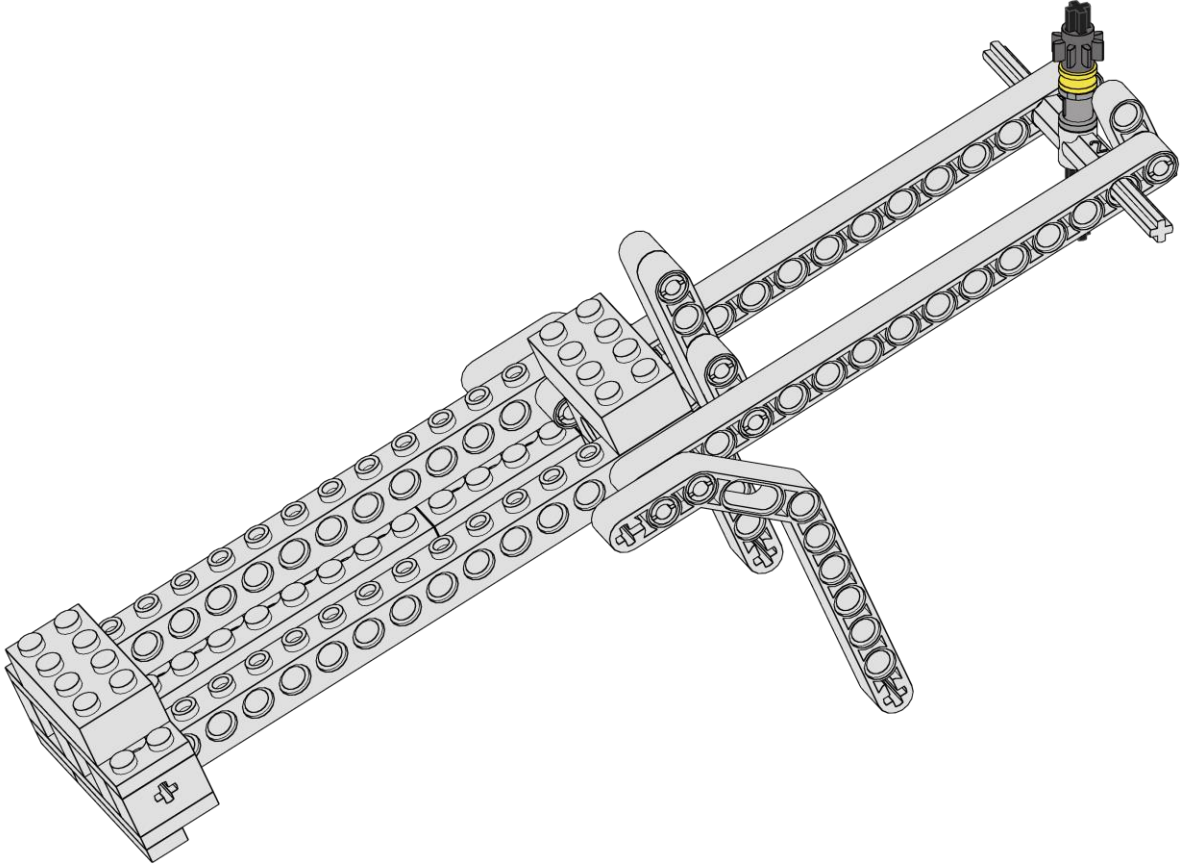
Yosemite Carrier

<p>14 of 20</p>	<p>1x</p>  <p>Connector Union - Hole Red</p>	<p>2x</p>  <p>Axle 4 Black</p>	
---------------------	---	---	--

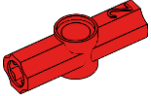
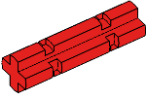
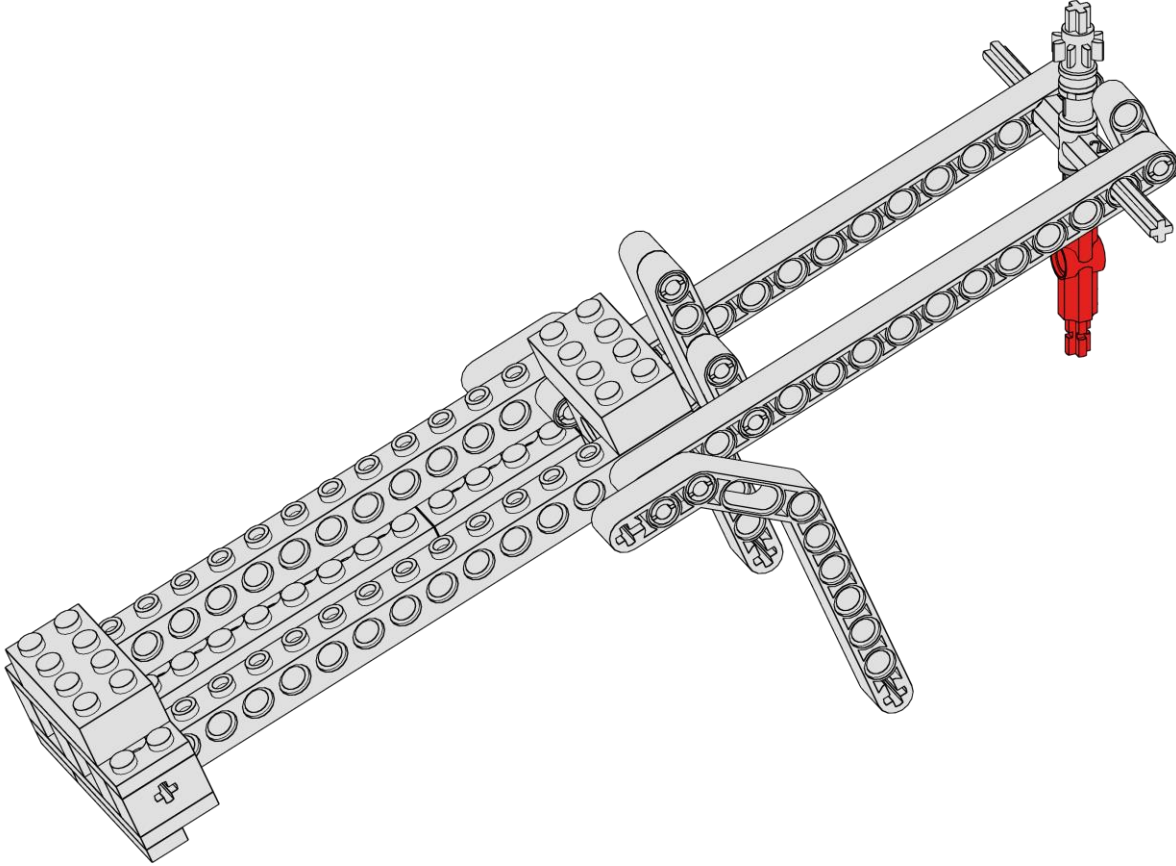


The diagram illustrates the assembly step for the Yosemite Carrier. It shows a grey Technic frame with a red connector union and two black axles being installed. The red connector union is positioned at the top of the frame, and the two black axles are inserted into the holes of the frame. The frame consists of several grey Technic beams and connectors, forming a complex structure. The red connector union is a T-shaped piece that fits into the holes of the frame. The black axles are long, thin rods that pass through the holes of the frame. The diagram is a perspective view, showing the frame from a slightly elevated angle.

Yosemite Carrier

<p>15 of 20</p>	<p>1x</p>  <p>Axle 6 Black</p>	<p>1x</p>  <p>Bushing Light Gray</p>	<p>1x</p>  <p>Bushing 1/2 Yellow</p>	<p>1x</p>  <p>Gear - 8 Tooth Dark Gray</p>	
					

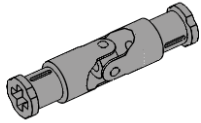
Yosemite Carrier

<p>16 of 20</p>	<p>1x</p>  <p>Connector Union - Hole Red</p>	<p>1x</p>  <p>Axle 2 Notched Red</p>	
			

Yosemite Carrier

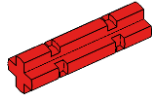
17
of 20

1x

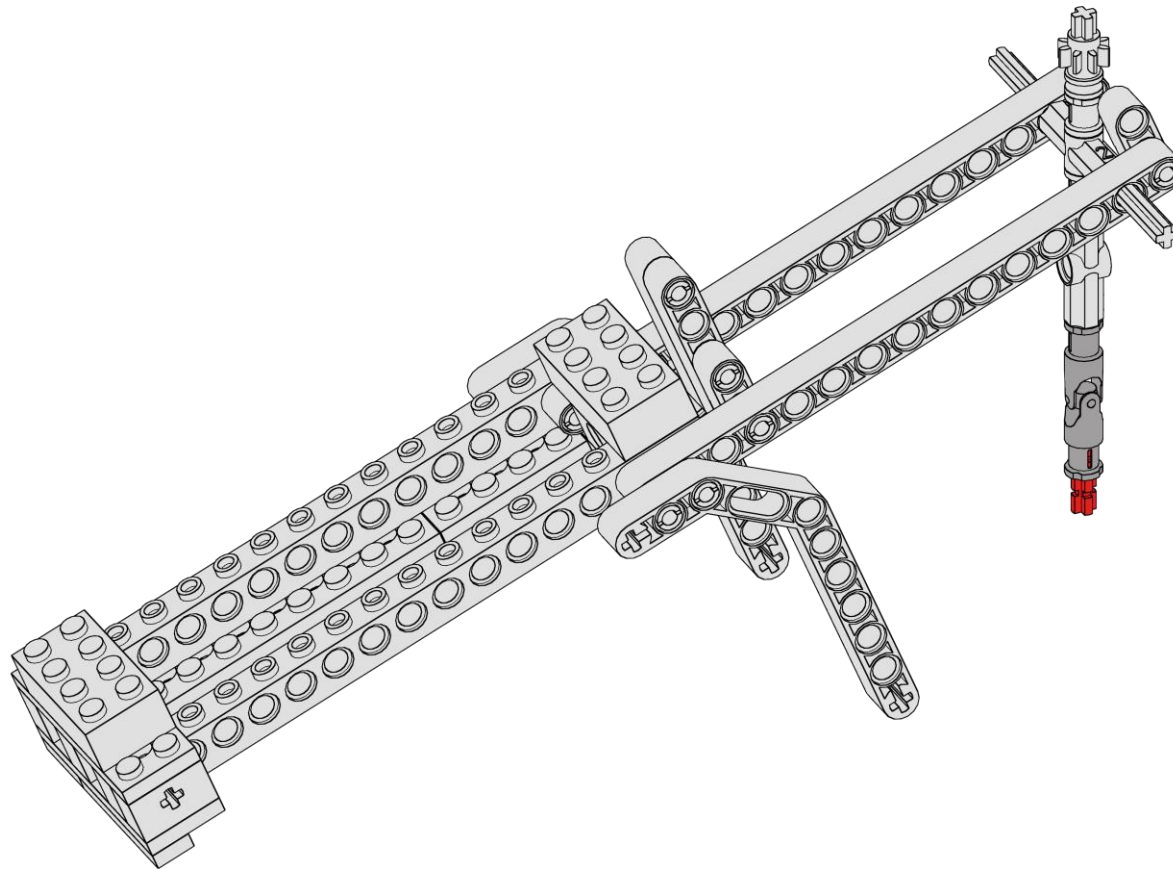


Connector
Universal Joint
Light Gray

1x



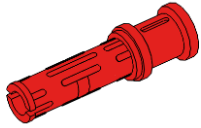
Axle 2
Notched
Red



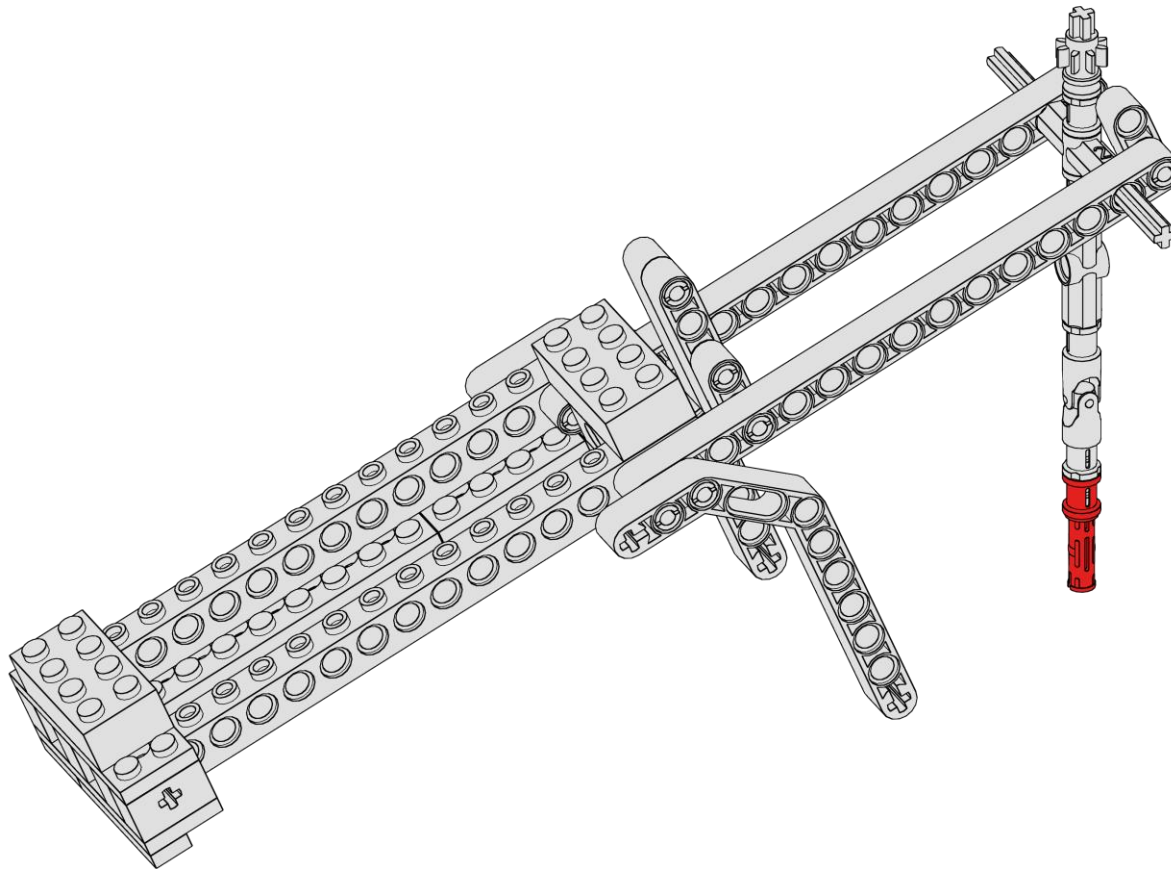
Yosemite Carrier

18
of 20

1x



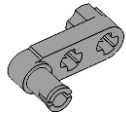
Pin - Long
Axle Hole
Red



Yosemite Carrier

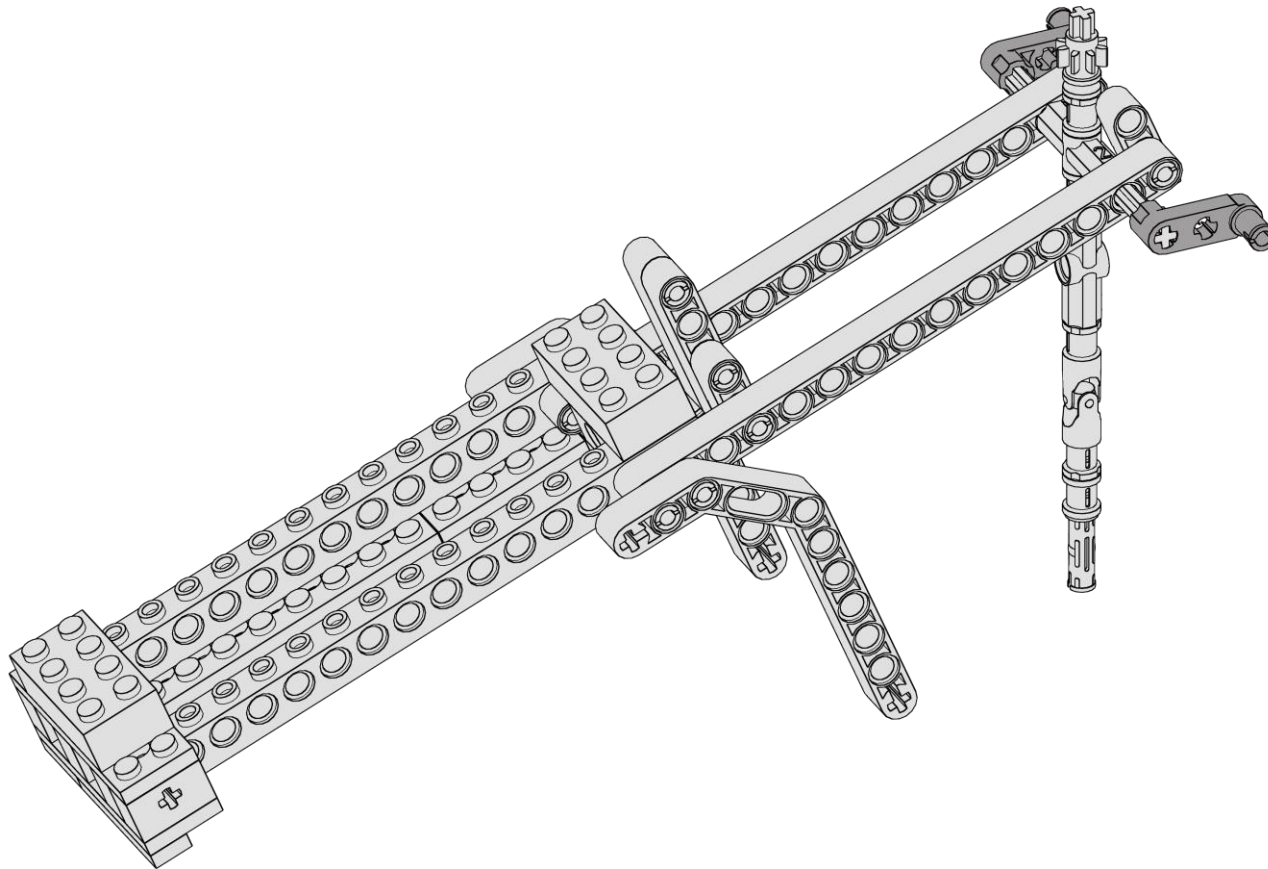
19
of 20

2x



Crank - Pin

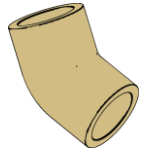
Light Gray



Yosemite Carrier

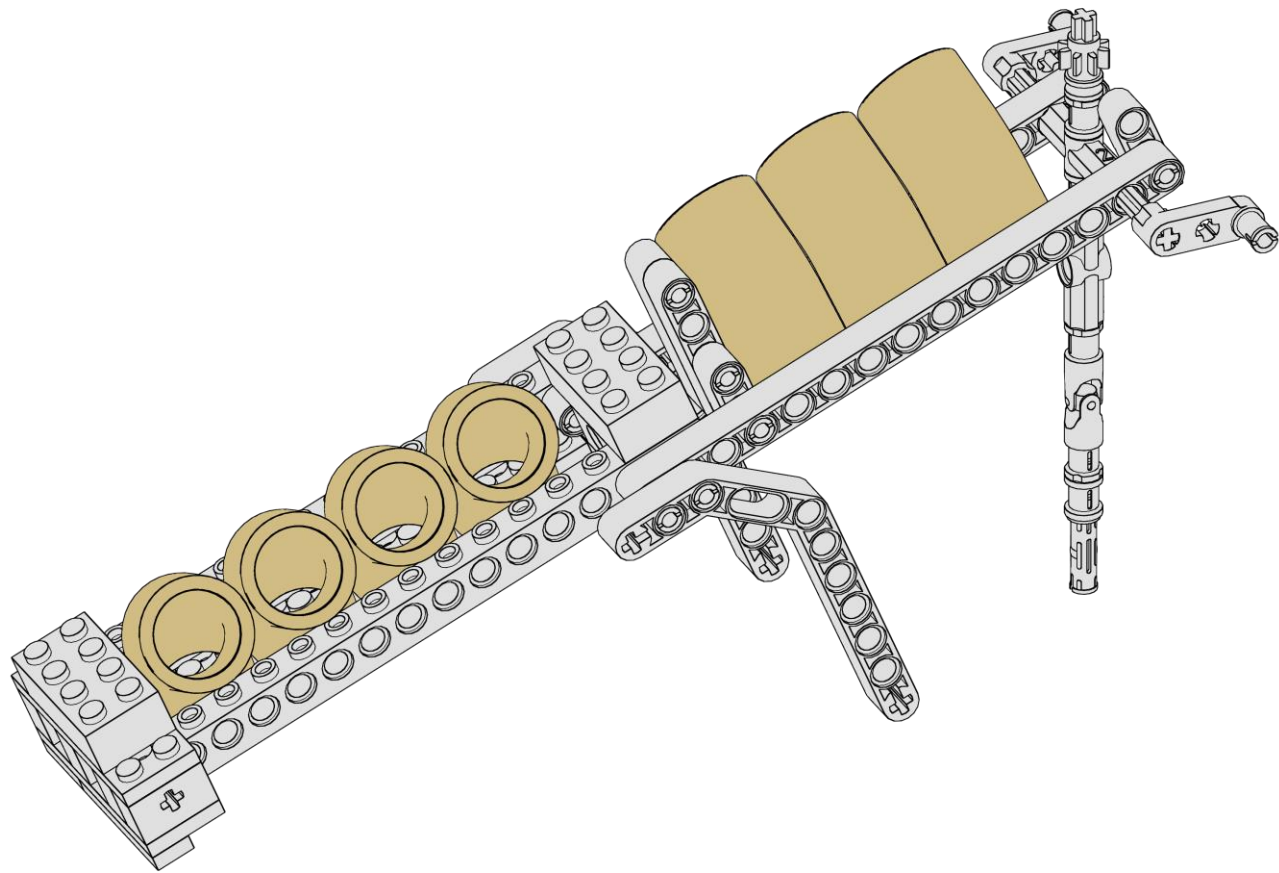
20
of 20

7x

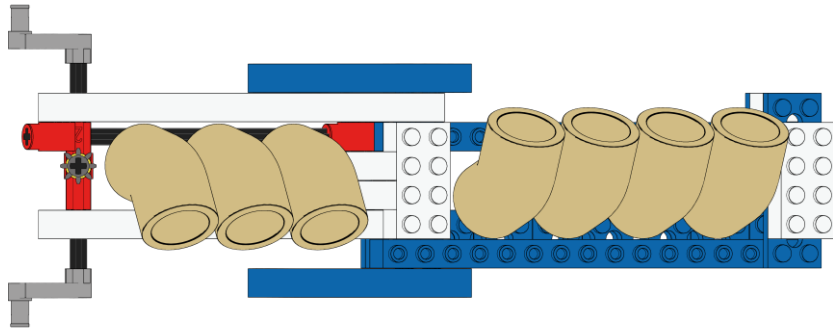


Robomole

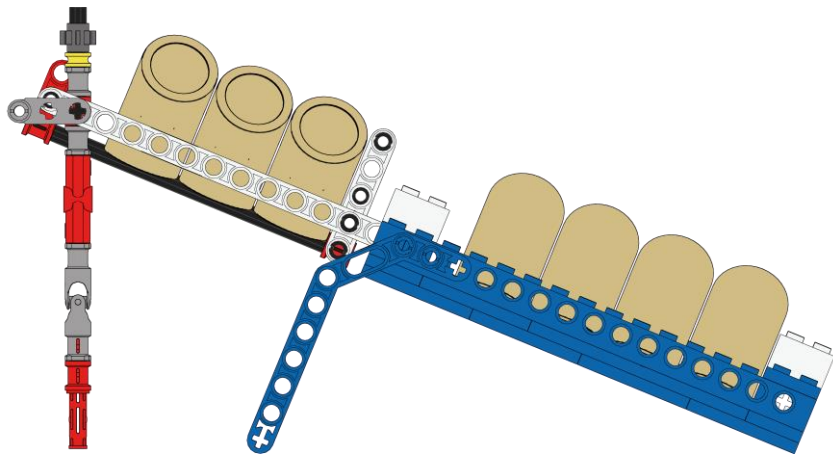
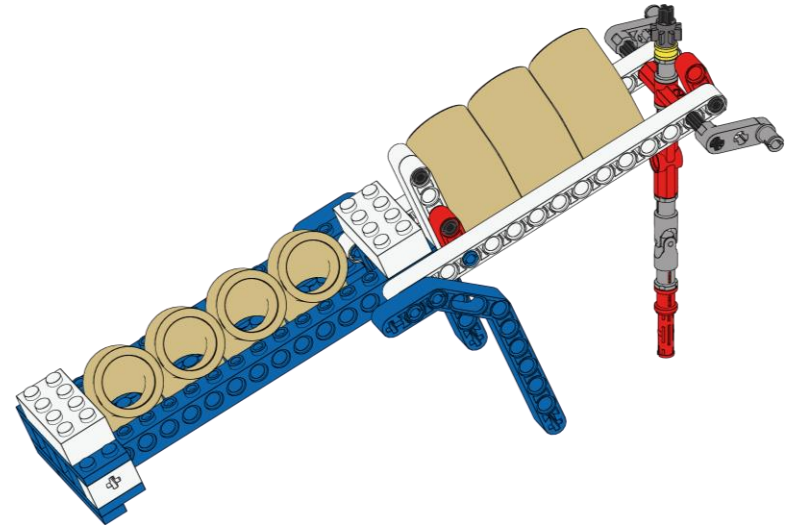
Tan



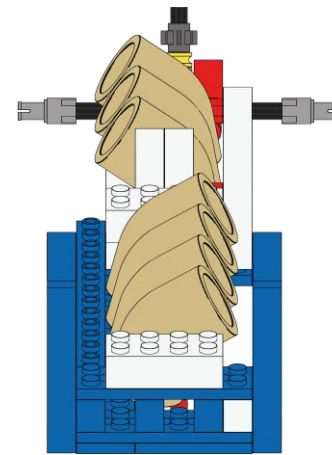
Yosemite Carrier



Top View



Front View



Side View