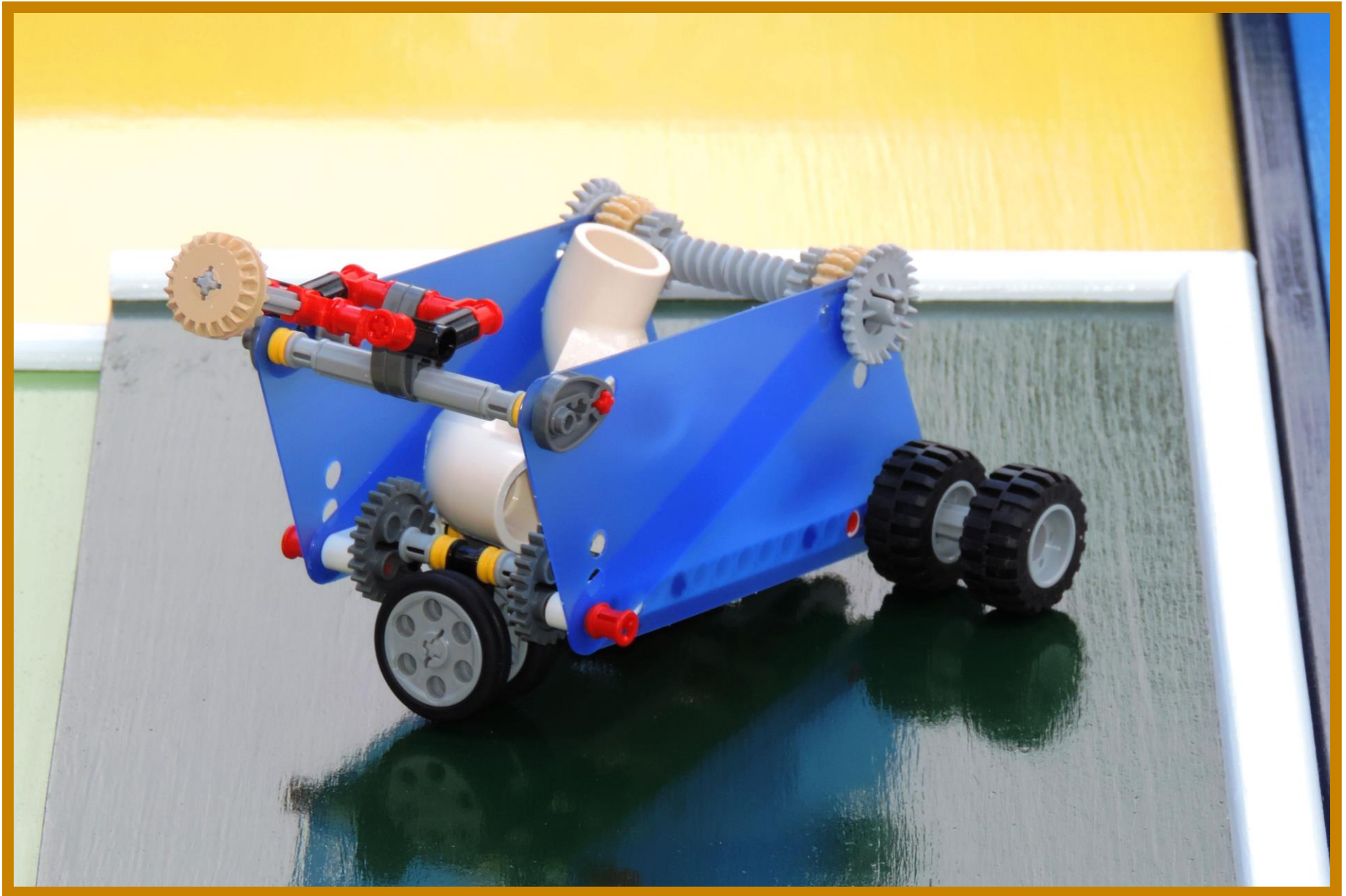
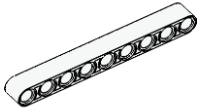

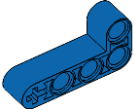
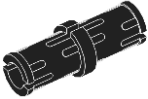
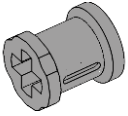

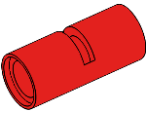
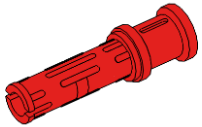
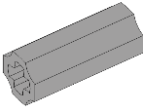
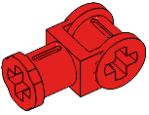


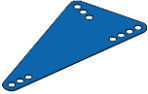

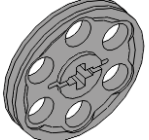

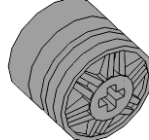



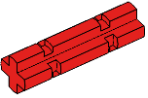
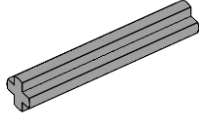
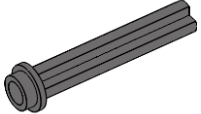

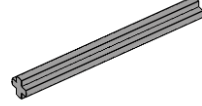




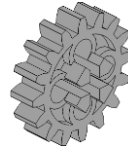
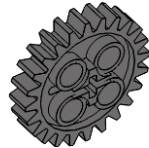

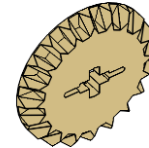
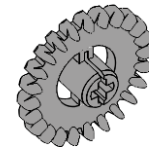
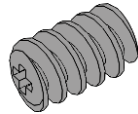

Grand Canyon Carrier




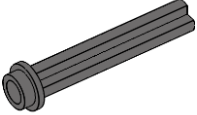
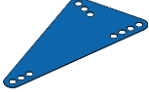
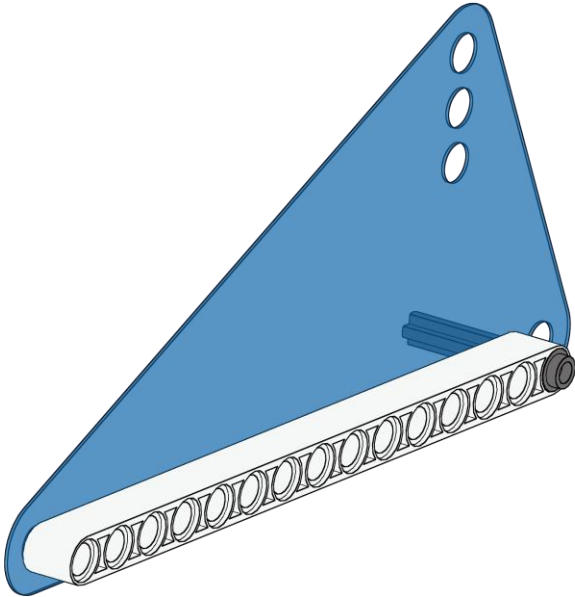
Grand Canyon Carrier

<p>1x</p>  <p>Liftarm 1x9 White</p>	<p>2x</p>  <p>Liftarm 1x15 White</p>		<p>1x</p>  <p>Liftarm 1x2x4 90 deg bend Blue</p>				
<p>2x</p>  <p>Pin Slots Black</p>		<p>6x</p>  <p>Bushing Light Gray</p>	<p>12x</p>  <p>Bushing 1/2 Yellow</p>	<p>2x</p>  <p>Bushing Spacer Red</p>	<p>6x</p>  <p>Pin - Long Axle Hole Red</p>		
<p>4x</p>  <p>Connector Union Light Gray</p>	<p>5x</p>  <p>Connector 1x2 90 Degree Red</p>	<p>1x</p>  <p>Connector 1x3 90 Degree Black</p>		<p>2x</p>  <p>Connector 30 Degree Black</p>			
<p>4x</p>  <p>Flexible Triangle Small Light Blue</p>		<p>4x</p>  <p>Cam Dark Gray</p>		<p>4x</p>  <p>Wheel - Rim Thin Light Gray</p>	<p>4x</p>  <p>Wheel - Tire Thin Black</p>	<p>4x</p>  <p>Wheel - Rim Small Light Gray</p>	<p>4x</p>  <p>Wheel - Tire Small Black</p>

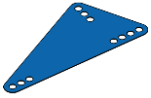
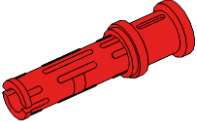
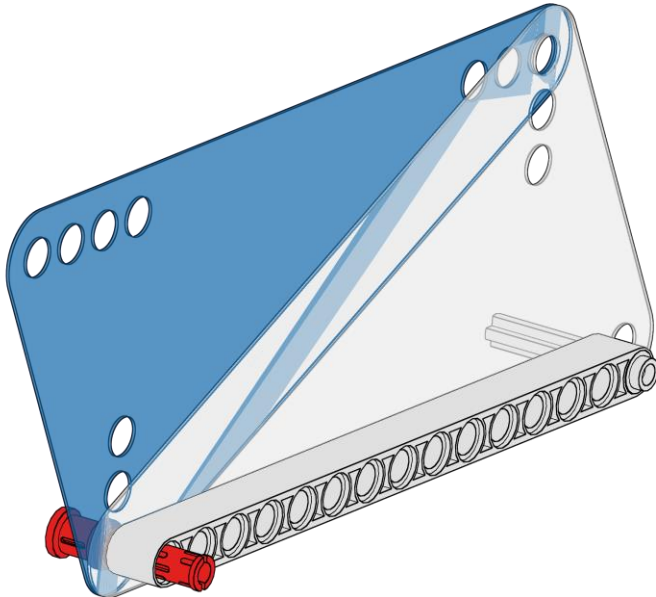
Grand Canyon Carrier

8x  Axle 2 Notched Red	5x  Axle 3 Light Gray	4x  Axle 3 Stud Dark Gray	2x  Axle 4 Black	1x  Axle 5 Light Gray	1x  Axle 6 Black	2x  Axle 8 Black	1x  Axle 10 Black
4x  Gear - 8 Tooth Dark Gray	2x  Gear - 16 Tooth Light Gray	4x  Gear - 24 Tooth Dark Gray	2x  Gear - 20 Tooth Double Bevel Tan	2x  Gear - 20 Tooth Bevel Tan	4x  Gear - 24 Tooth Crown Light Gray	2x  Gear - Worm Light Gray	
							7x  Robomole Tan



Grand Canyon Carrier

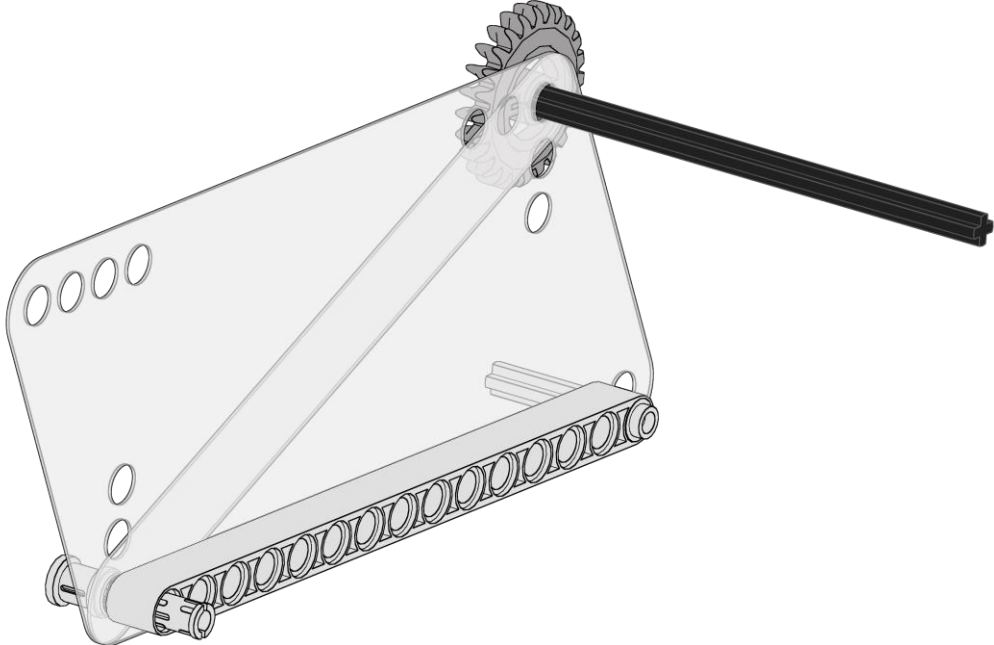
<p>1 of 39</p>	<p>1x  Liftarm 1x15 White</p>	<p>1x  Axle 3 Stud Dark Gray</p>	<p>1x  Flexible Triangle Small Light Blue</p>	
				

Grand Canyon Carrier


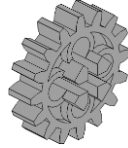
<p>2 of 39</p>	<p>1x</p>  <p>Flexible Triangle Small Light Blue</p>	<p>1x</p>  <p>Pin - Long Axle Hole Red</p>	
			

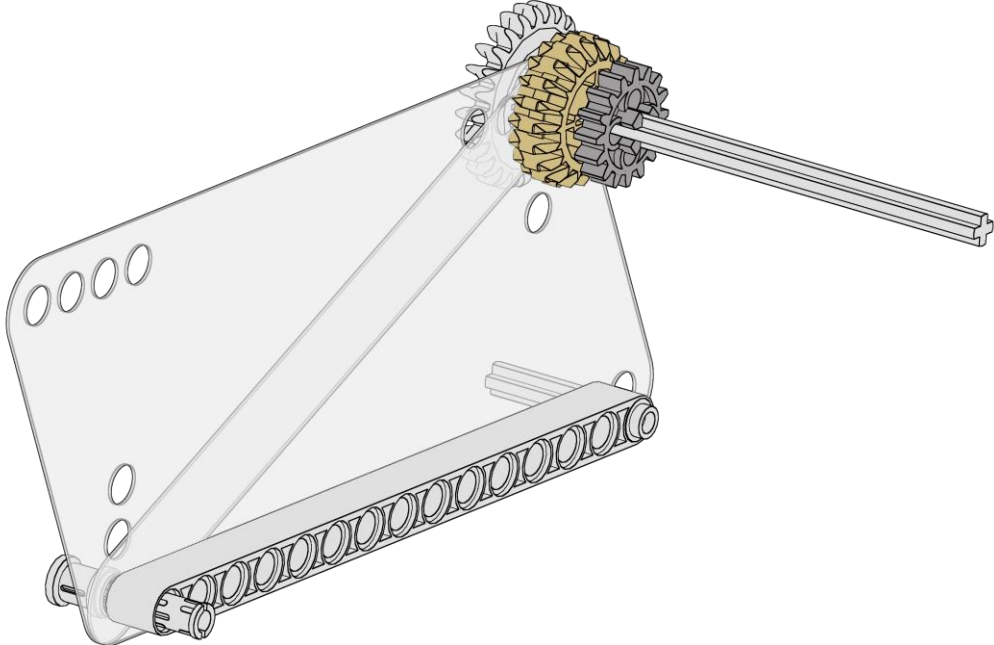
Grand Canyon Carrier

<p>3 of 39</p>	<p>1x</p>  <p>Axle 10 Black</p>	<p>1x</p>  <p>Gear - 24 Tooth Crown Light Gray</p>	
--------------------	--	---	--



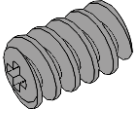
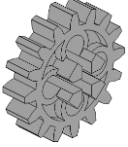

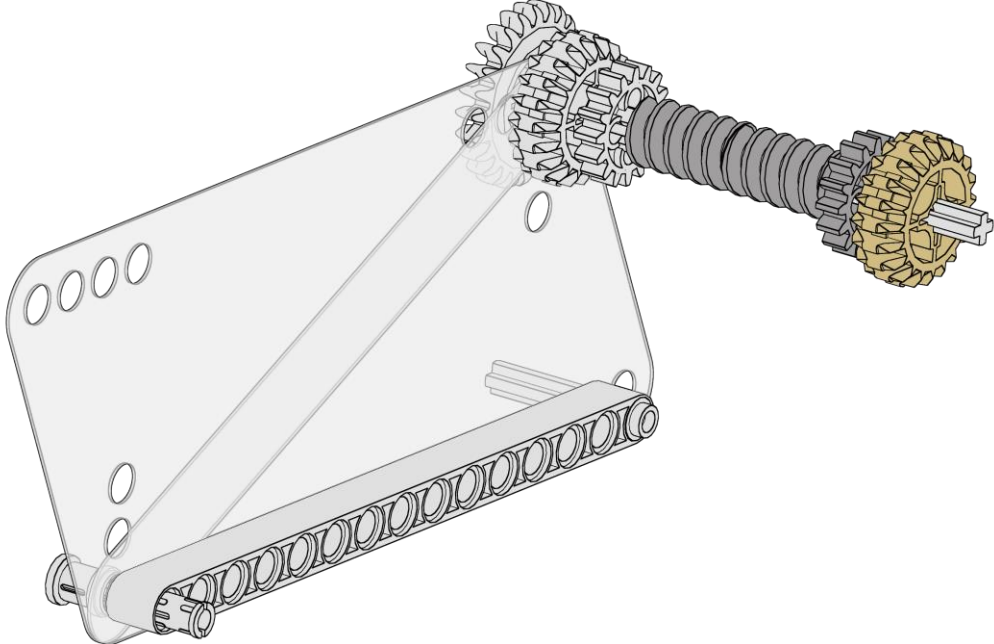
Grand Canyon Carrier

<p>4 of 39</p>	<p>1x</p>  <p>Gear - 20 Tooth Double Bevel Tan</p>	<p>1x</p>  <p>Gear - 16 Tooth Light Gray</p>	
--------------------	---	---	--



The diagram illustrates the assembly of the gear mechanism. A tan 20-tooth double bevel gear and a light gray 16-tooth gear are mounted on a shaft. The shaft is inserted into a carrier assembly, which is a gray plastic component with a series of holes along its length. The carrier assembly is shown in a perspective view, highlighting the gear mechanism and the shaft's path through the carrier.

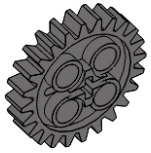
Grand Canyon Carrier

<p>5 of 39</p>	<p>2x</p>  <p>Gear - Worm Light Gray</p>	<p>1x</p>  <p>Gear - 16 Tooth Light Gray</p>	<p>1x</p>  <p>Gear - 20 Tooth Double Bevel Tan</p>	
				

Grand Canyon Carrier

6
of 39

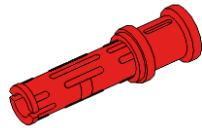
1x



Gear - 24 Tooth

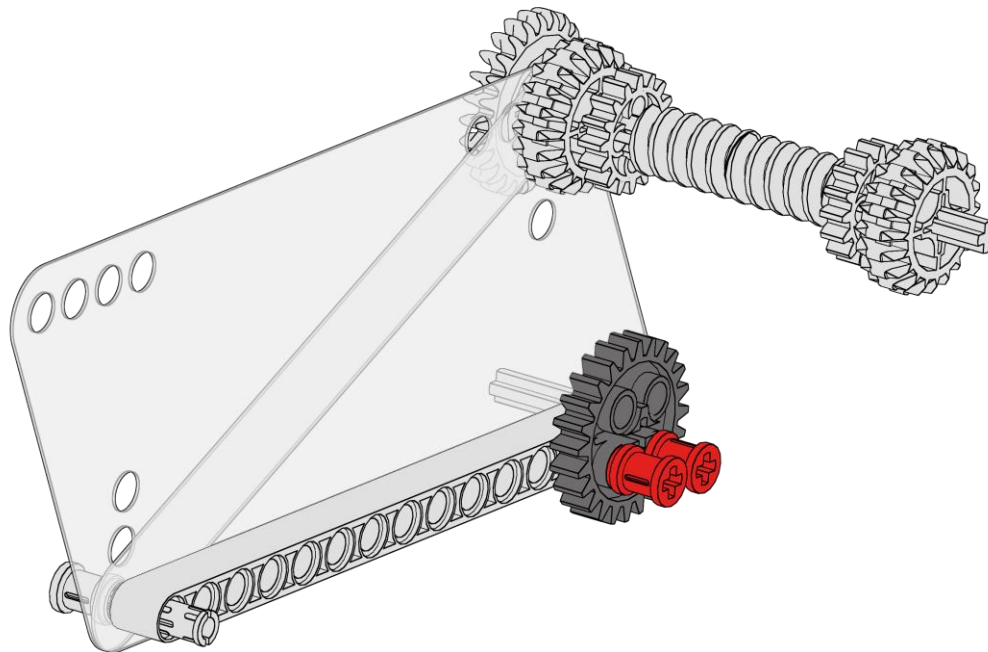
Dark Gray

2x

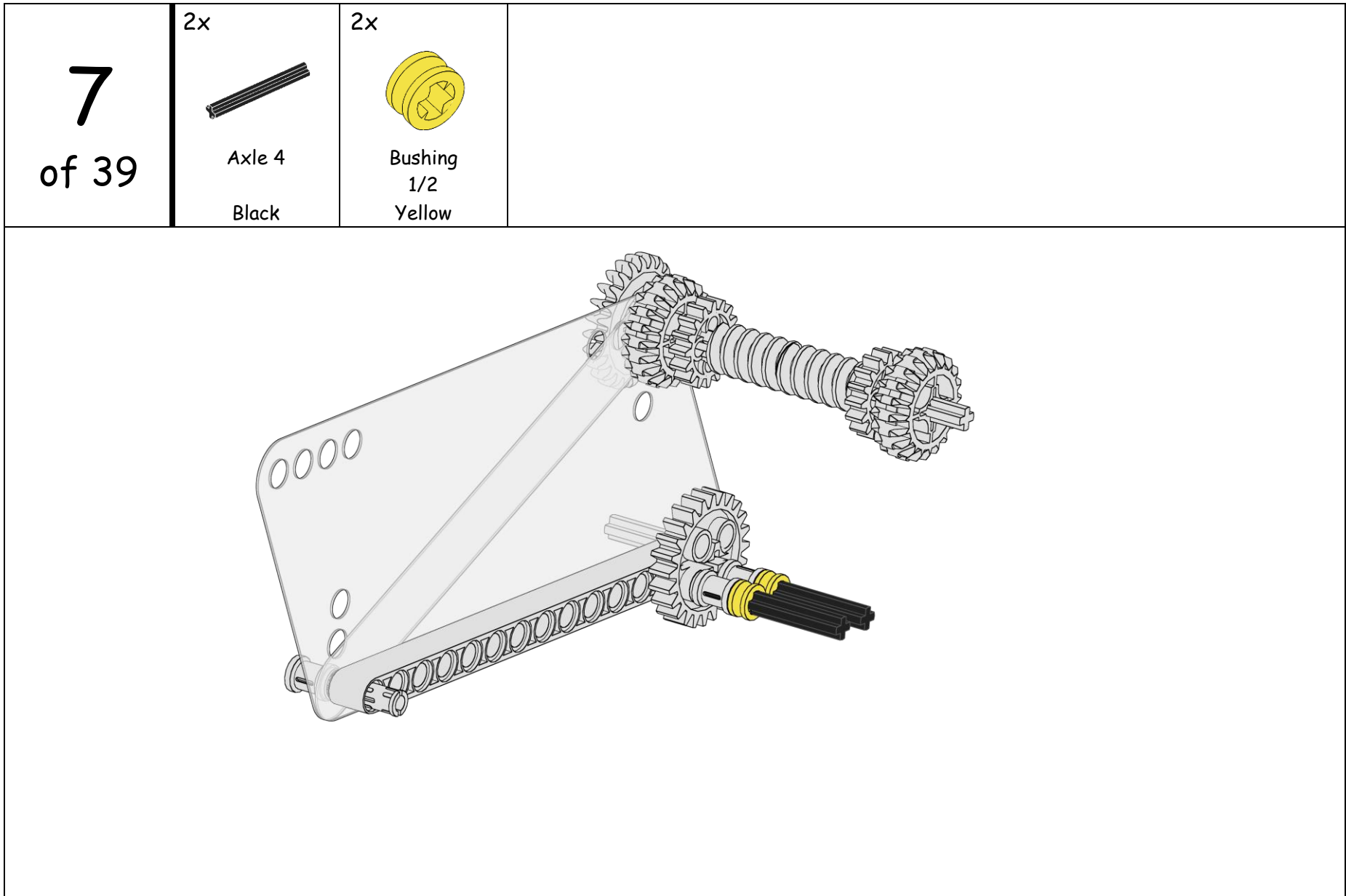


Pin - Long
Axle Hole

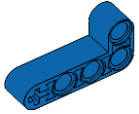
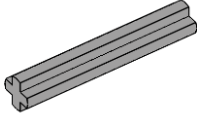
Red

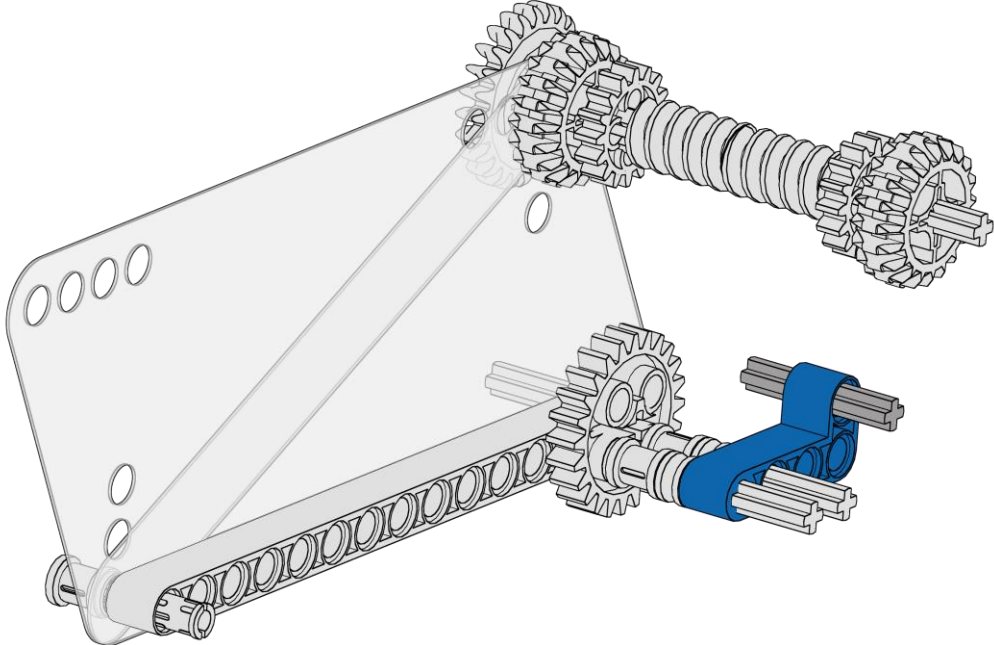


Grand Canyon Carrier



Grand Canyon Carrier

<p>8 of 39</p>	<p>1x</p>  <p>Liftarm 1x2x4 90 deg bend Blue</p>	<p>1x</p>  <p>Axle 3 Light Gray</p>	
--------------------	---	--	--



The diagram shows an exploded view of the assembly. A large, light gray triangular plate is the main component. A gear train is mounted on it, consisting of a large gear at the top, a smaller gear in the middle, and a gear at the bottom. A blue liftarm is attached to the bottom gear. The liftarm has a 90-degree bend and is connected to a light gray axle. The axle is also connected to a gear. The diagram shows the assembly in a disassembled state, with the parts floating in the air.

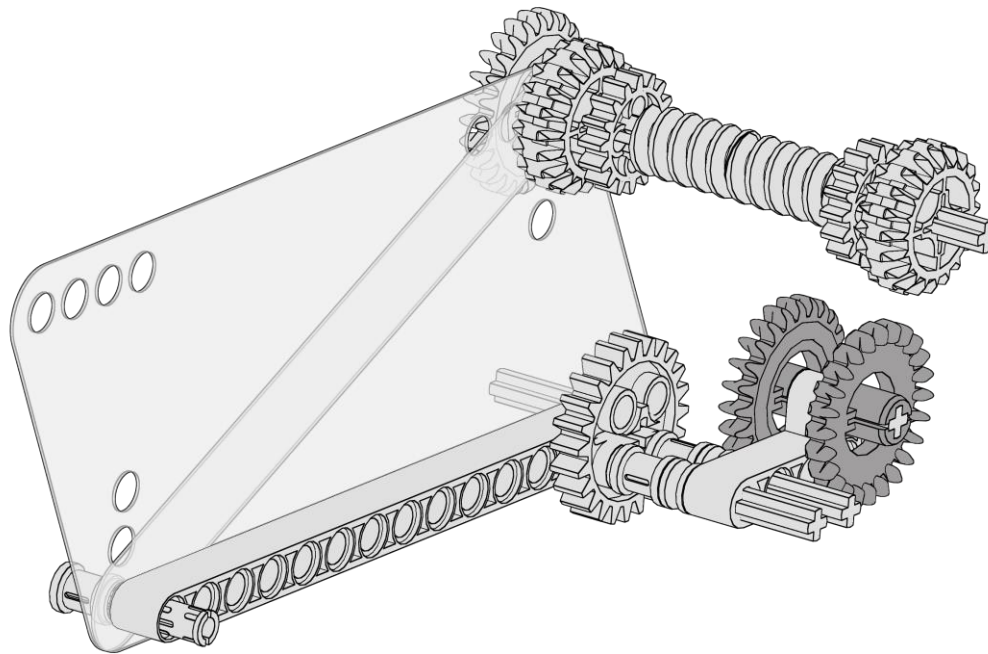
Grand Canyon Carrier

9
of 39

2x



Gear - 24 Tooth
Crown
Light Gray



Grand Canyon Carrier

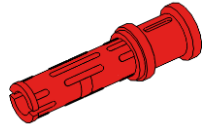
10
of 39

2x

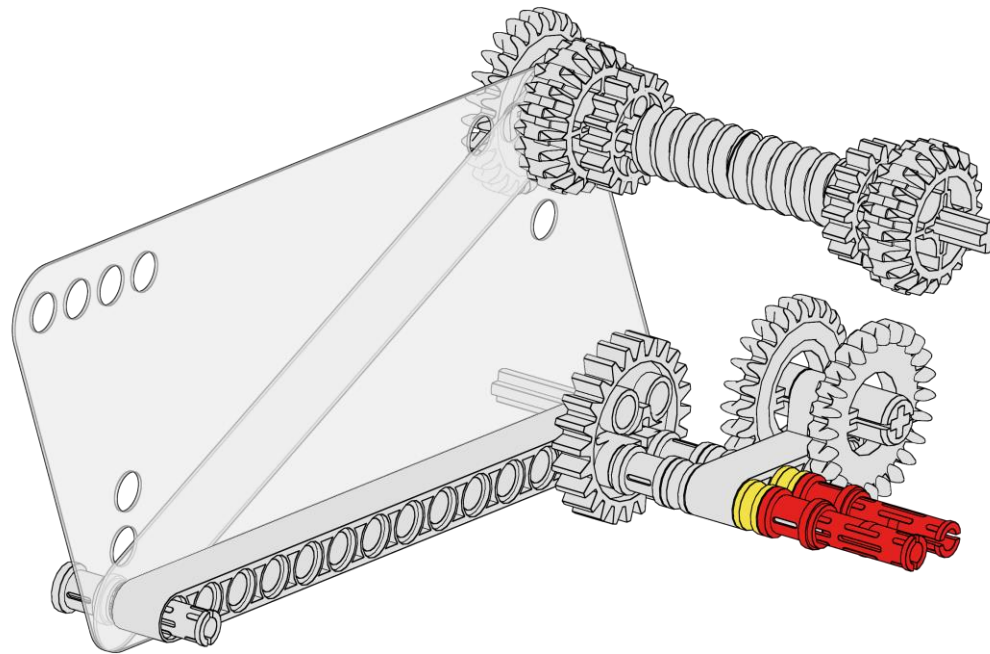


Bushing
1/2
Yellow

2x



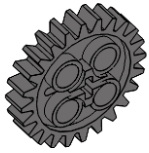
Pin - Long
Axle Hole
Red



Grand Canyon Carrier

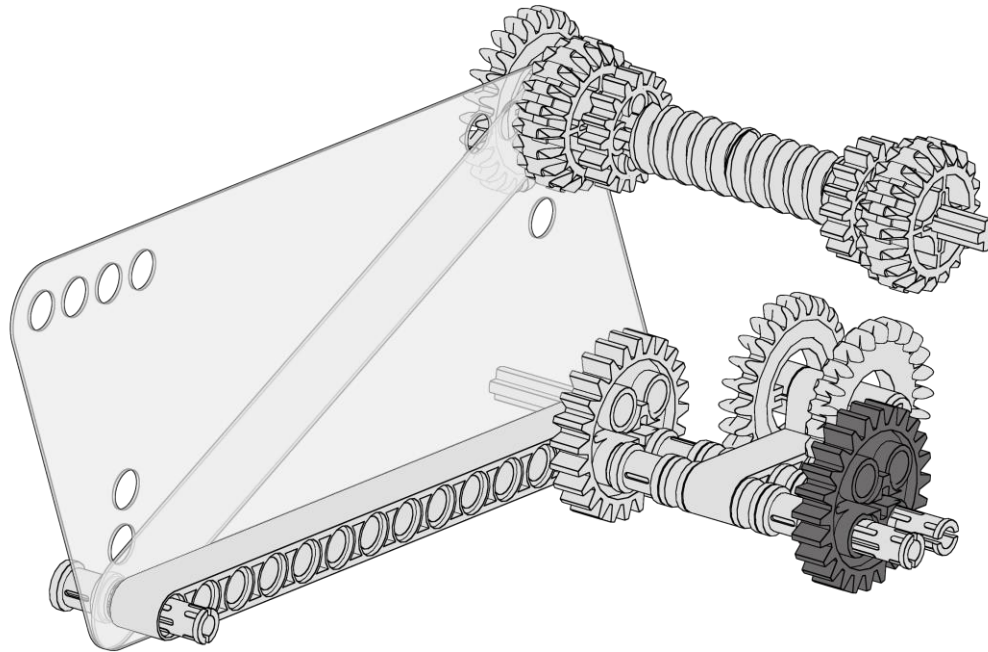
11
of 39

1x



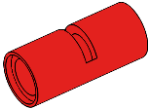

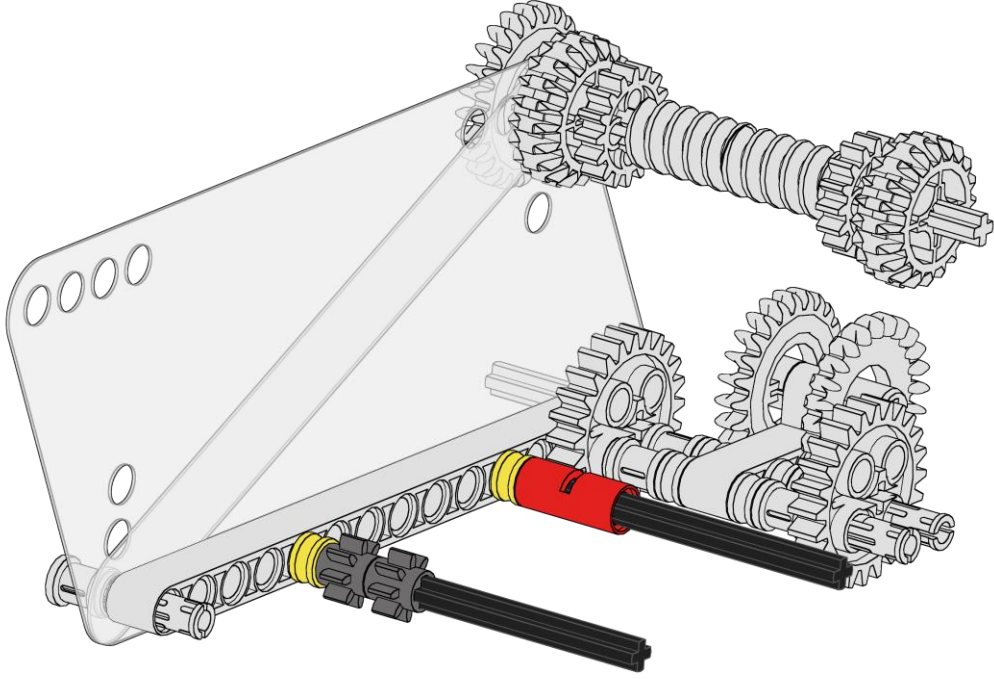


Gear - 24 Tooth

Dark Gray



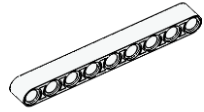
Grand Canyon Carrier

<p>12 of 39</p>	<p>2x</p>  <p>Axle 8 Black</p>	<p>2x</p>  <p>Bushing 1/2 Yellow</p>	<p>1x</p>  <p>Bushing Spacer Red</p>	<p>2x</p>  <p>Gear - 8 Tooth Dark Gray</p>	
					

Grand Canyon Carrier

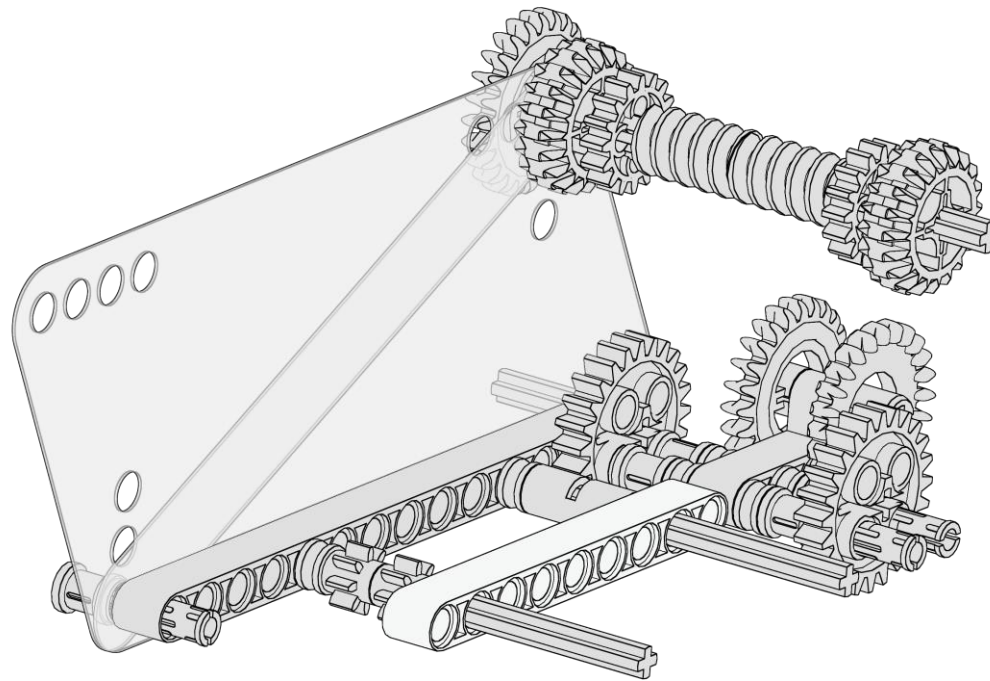
13
of 39

1x

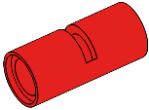


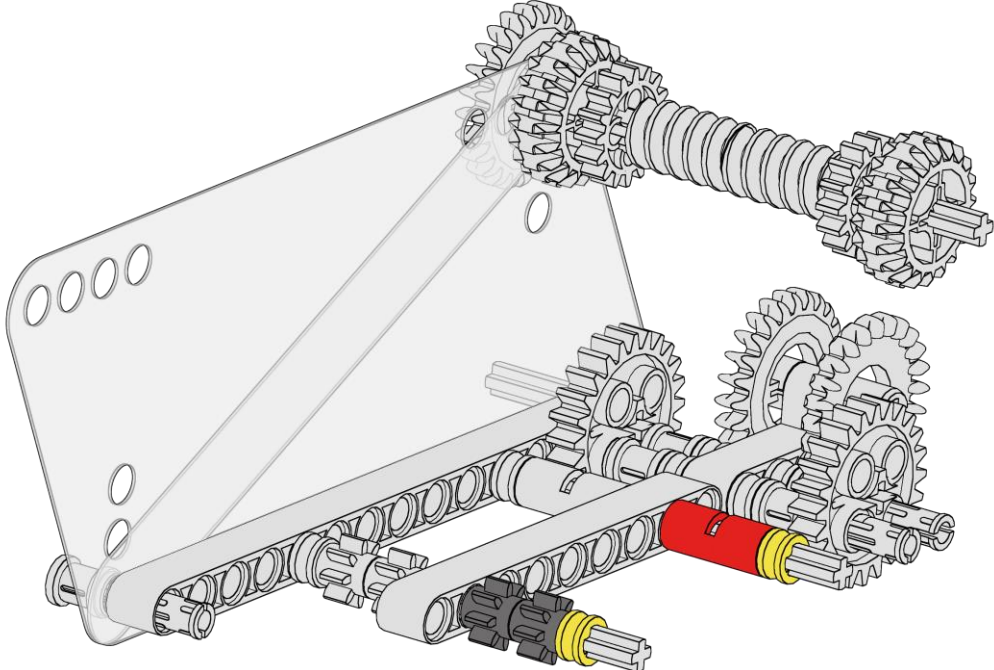


Liftarm 1x9

White



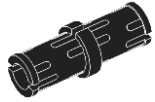
Grand Canyon Carrier

<p>14 of 39</p>	<p>1x</p>  <p>Bushing Spacer Red</p>	<p>2x</p>  <p>Gear - 8 Tooth Dark Gray</p>	<p>2x</p>  <p>Bushing 1/2 Yellow</p>	
				

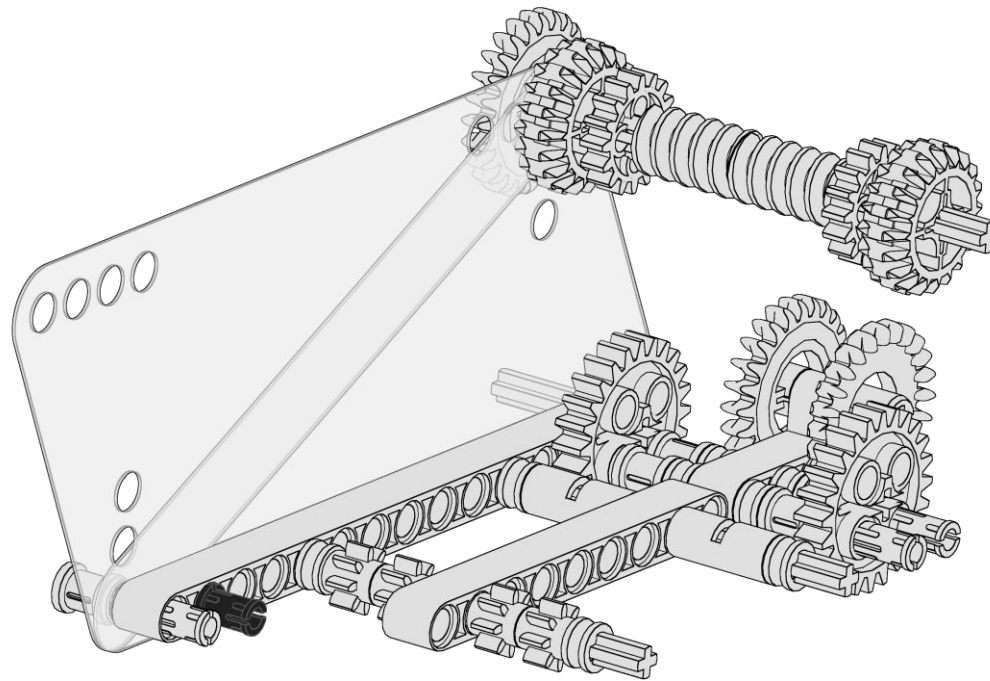
Grand Canyon Carrier

15
of 39

1x



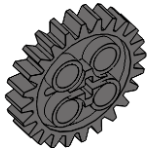
Pin
Slots
Black



Grand Canyon Carrier

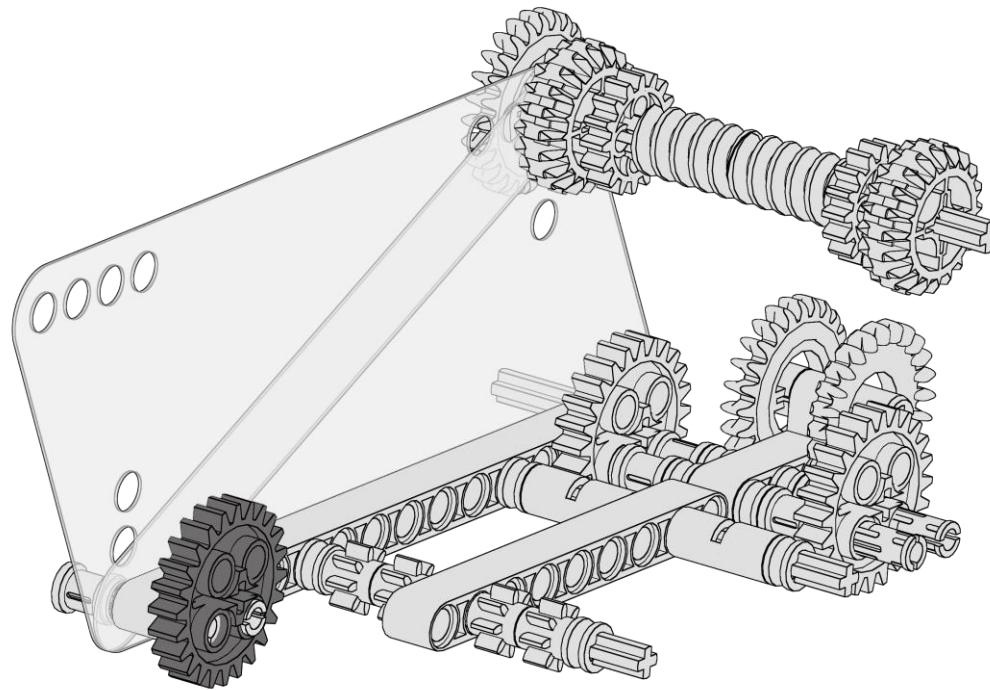
16
of 39

1x


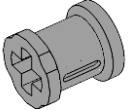

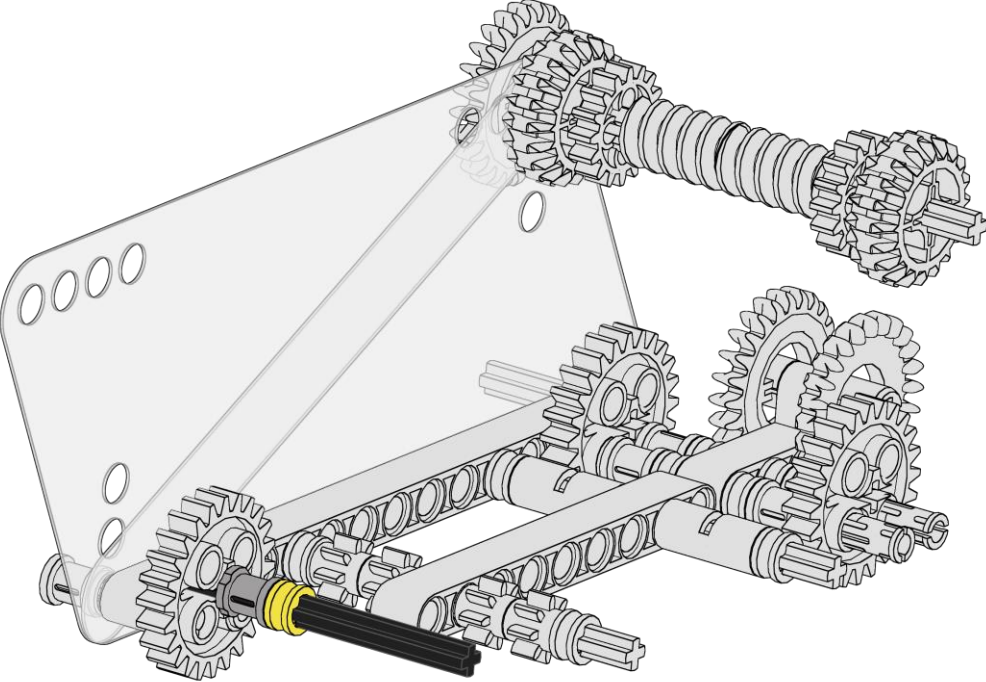


Gear - 24 Tooth


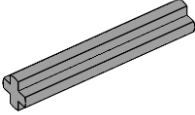
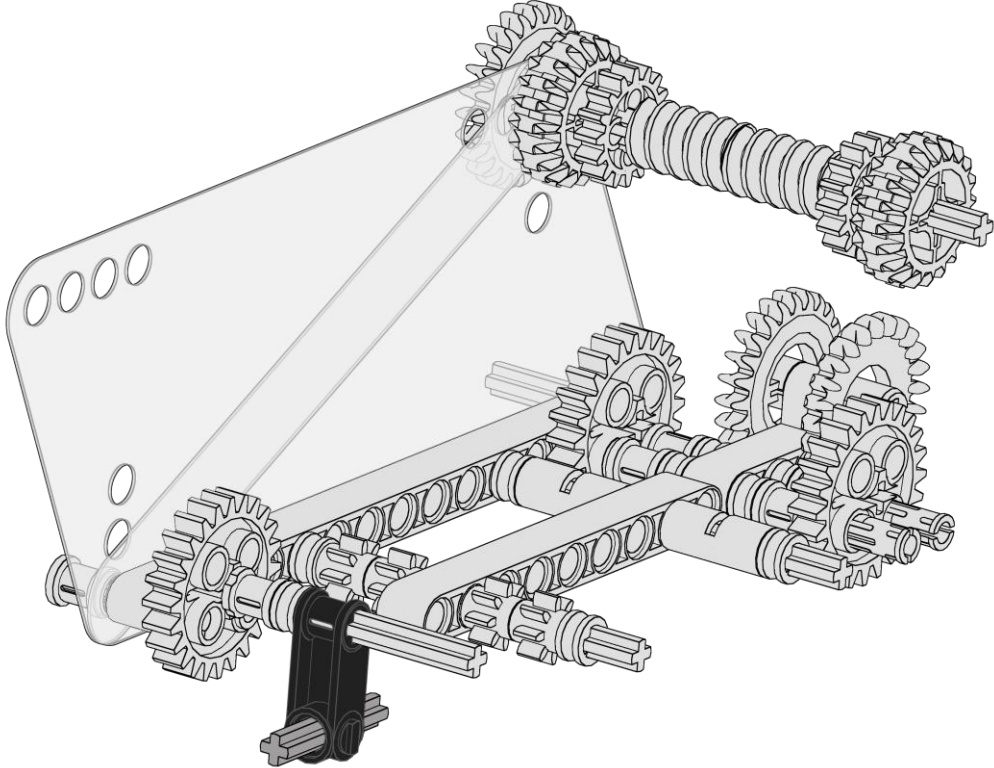
Dark Gray



Grand Canyon Carrier

<p>17 of 39</p>	<p>1x</p>  <p>Axle 6 Black</p>	<p>1x</p>  <p>Bushing Light Gray</p>	<p>1x</p>  <p>Bushing 1/2 Yellow</p>	
				

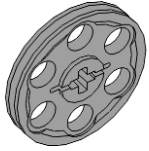
Grand Canyon Carrier

<p>18 of 39</p>	<p>1x</p>  <p>Connector 1x3 90 Degree Black</p>	<p>1x</p>  <p>Axle 3 Light Gray</p>	
			

Grand Canyon Carrier

19
of 39

4x

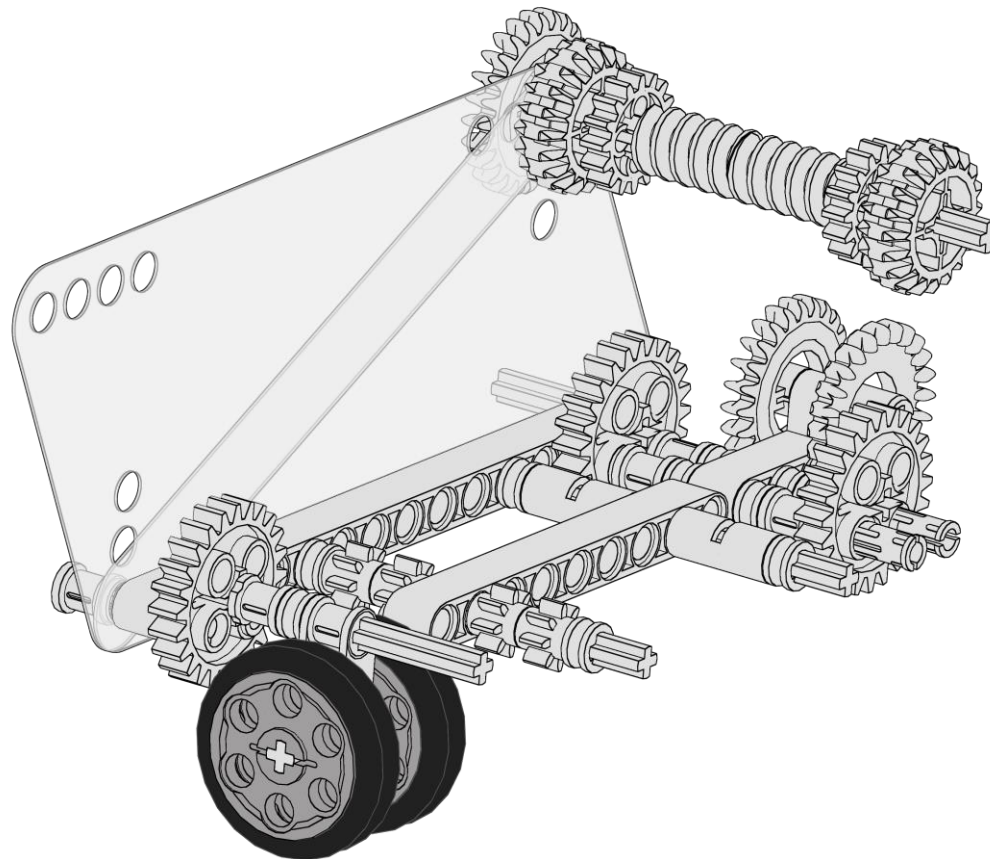


Wheel - Rim
Thin
Light Gray


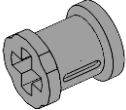
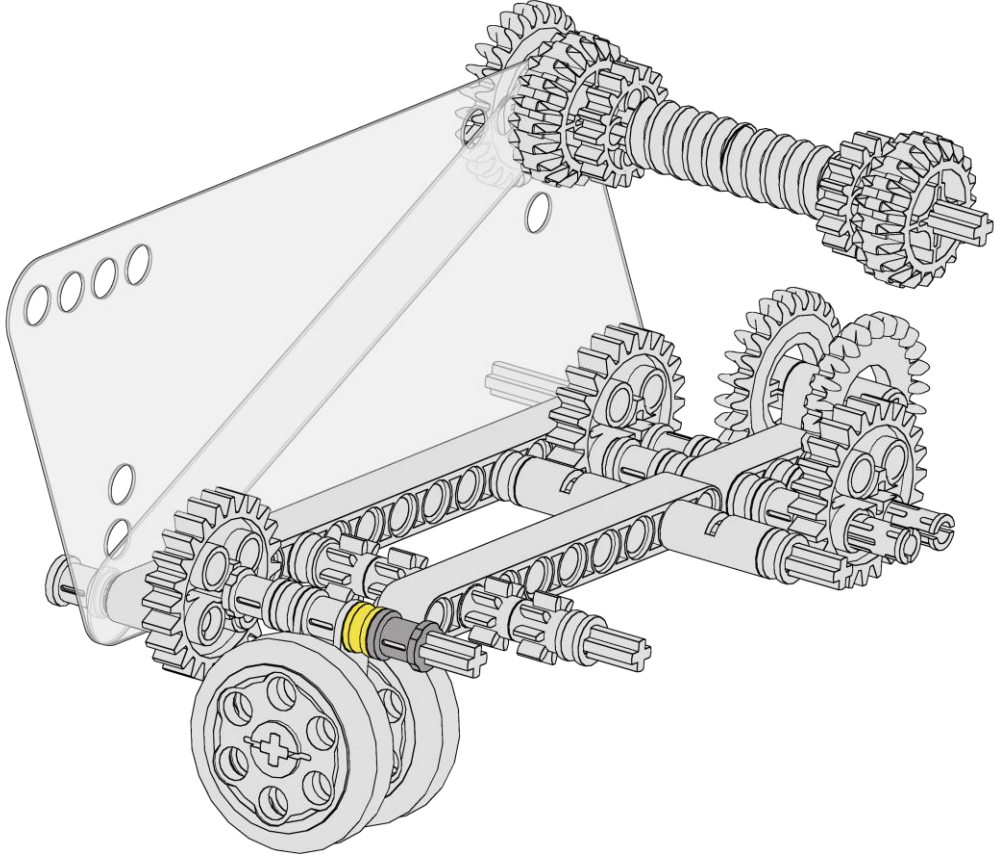
4x



Wheel - Tire
Thin
Black



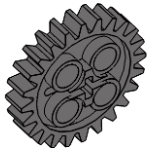
Grand Canyon Carrier

<p>20 of 39</p>	<p>1x</p>  <p>Bushing 1/2 Yellow</p>	<p>1x</p>  <p>Bushing Light Gray</p>	
			

Grand Canyon Carrier

21
of 39

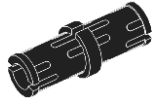
1x



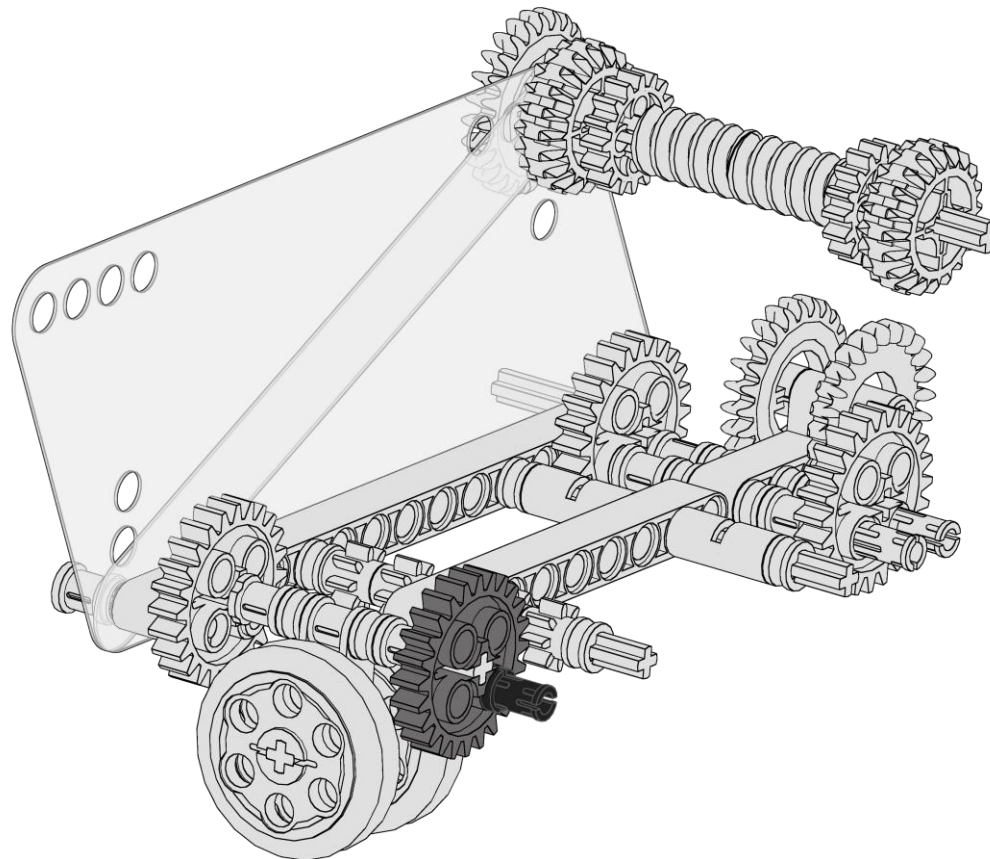
Gear - 24 Tooth

Dark Gray

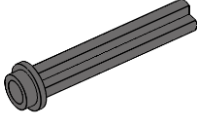

1x

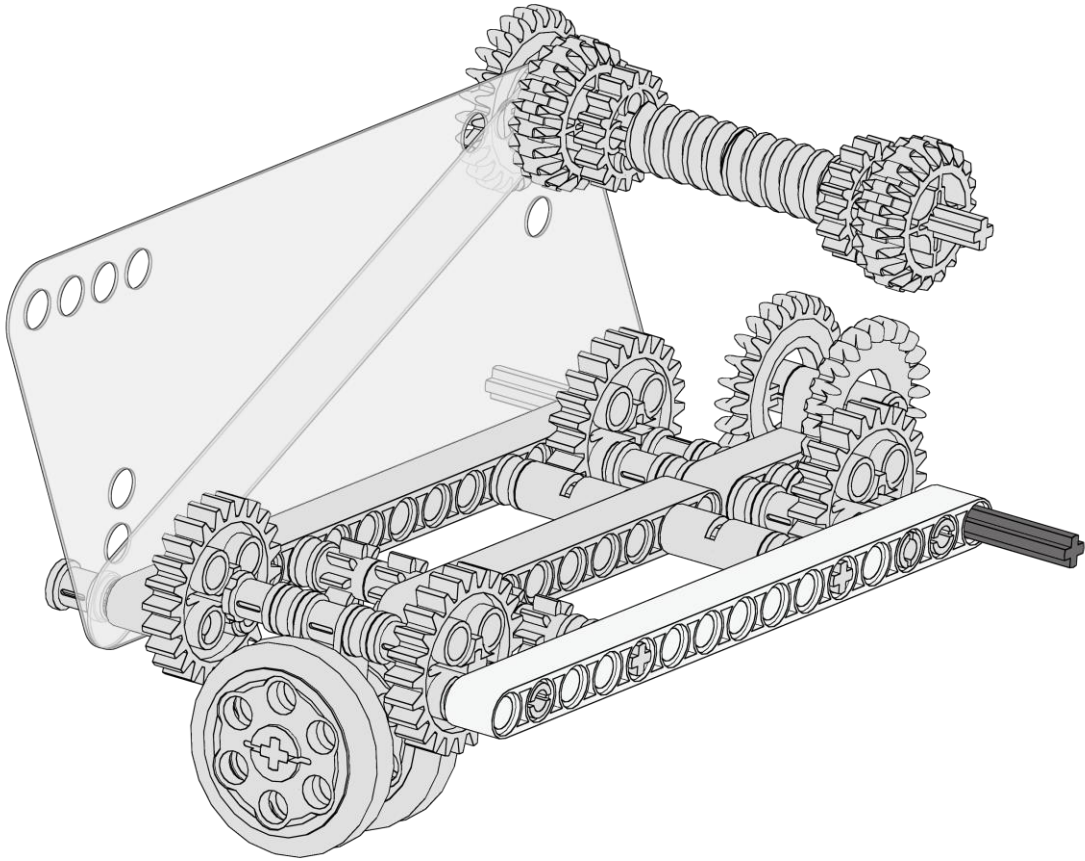


Pin
Slots
Black



Grand Canyon Carrier

<p>22 of 39</p>	<p>1x</p>  <p>Axle 3 Stud Dark Gray</p>	<p>1x</p>  <p>Liftarm 1x15 White</p>	
---------------------	--	---	--

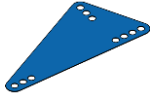


The diagram illustrates the assembly of the Grand Canyon Carrier mechanism. It features a large, semi-transparent white liftarm (1x15) that is being attached to a complex gear train. The gear train consists of several gears of different sizes mounted on axles. A dark gray axle (3 Stud) is shown being inserted into the end of the liftarm. The mechanism is mounted on a base with a wheel visible on the left side.

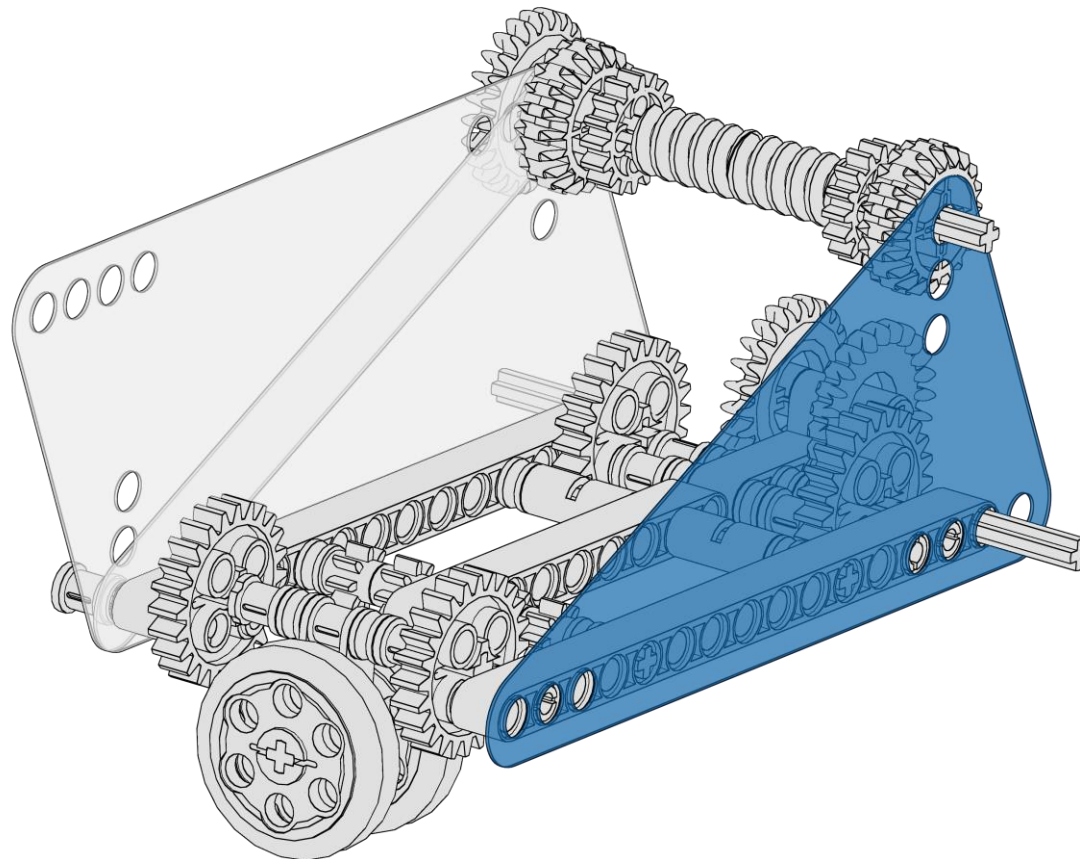
Grand Canyon Carrier

23
of 39

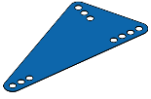
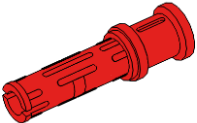

1x

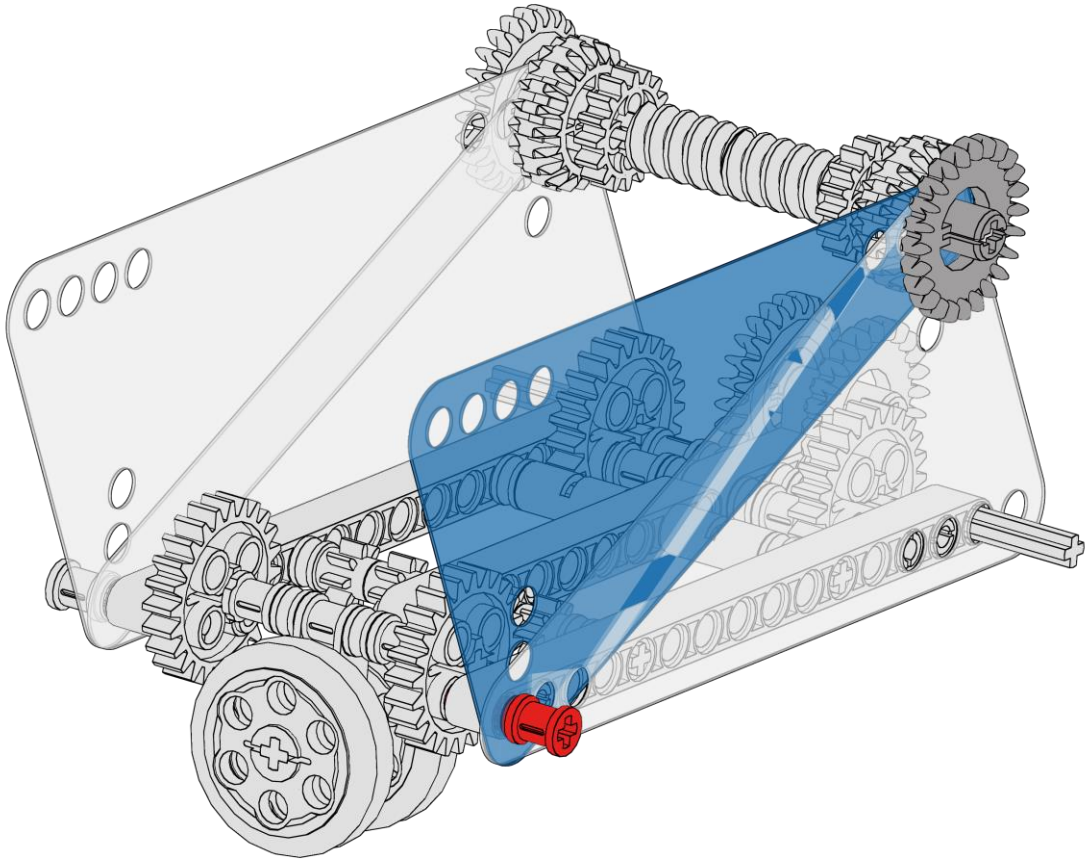


Flexible Triangle
Small
Light Blue



Grand Canyon Carrier

<p>24 of 39</p>	<p>1x</p>  <p>Flexible Triangle Small Light Blue</p>	<p>1x</p>  <p>Pin - Long Axle Hole Red</p>	<p>1x</p>  <p>Gear - 24 Tooth Crown Light Gray</p>	
---------------------	---	---	--	--

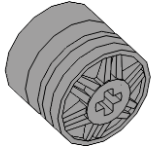


The diagram illustrates the assembly of the Grand Canyon Carrier. A transparent chassis is shown with a motor on the left and a gear train on the right. A blue flexible triangle is being inserted into the chassis, with a red pin being inserted into one of its holes. A light gray gear is being placed on the end of the gear train. The assembly is shown in a perspective view, highlighting the internal gear mechanism and the placement of the new parts.

Grand Canyon Carrier

25
of 39

2x

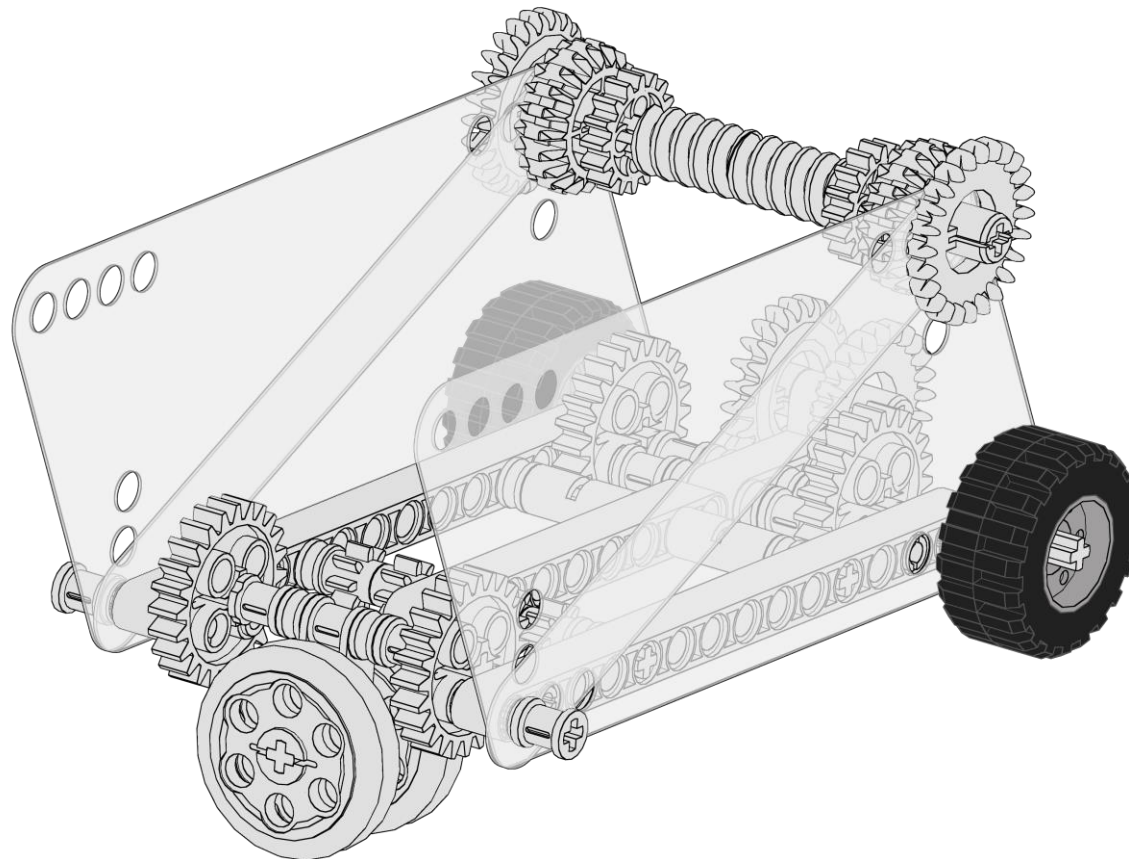


Wheel - Rim
Small
Light Gray

2x



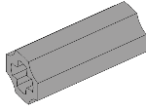
Wheel - Tire
Small
Black



Grand Canyon Carrier

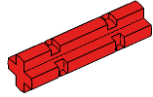
26
of 39

2x

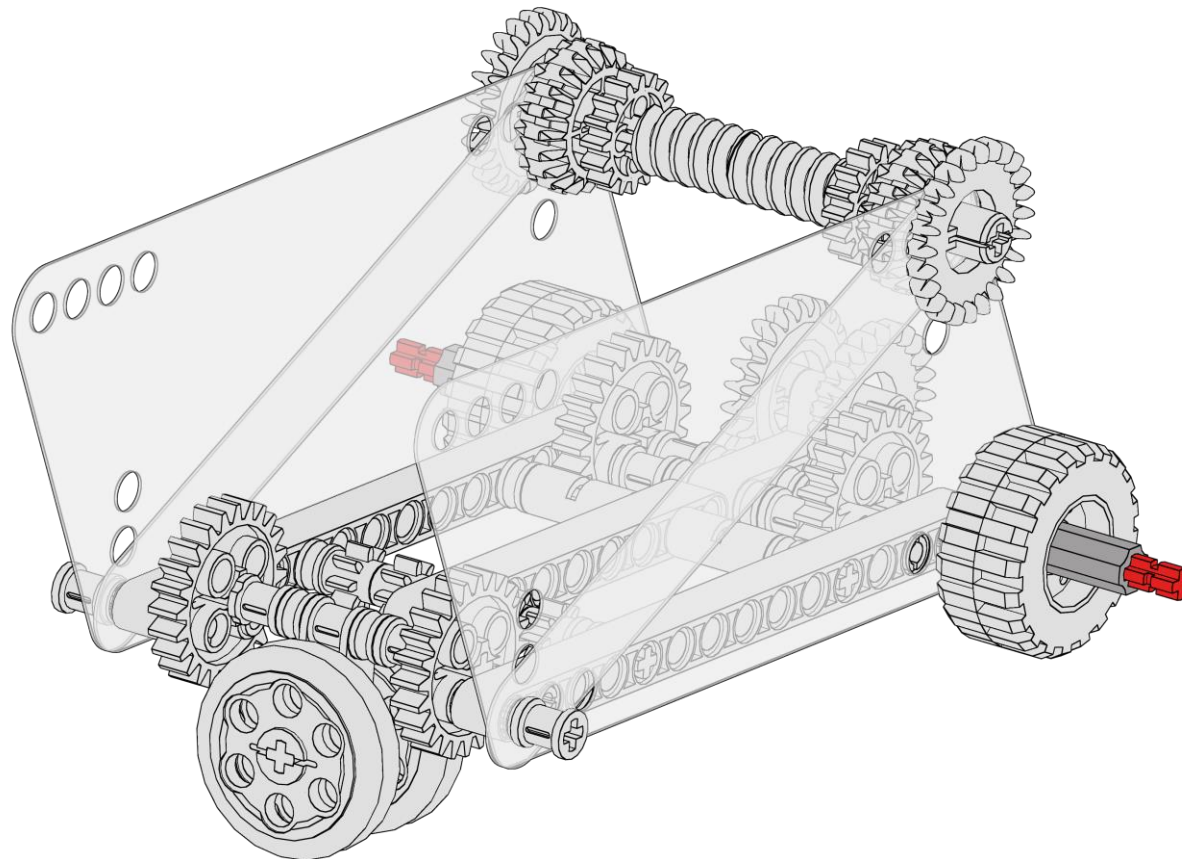


Connector
Union
Light Gray

2x



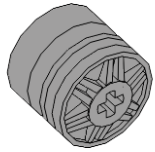
Axle 2
Notched
Red



Grand Canyon Carrier

27
of 39

2x

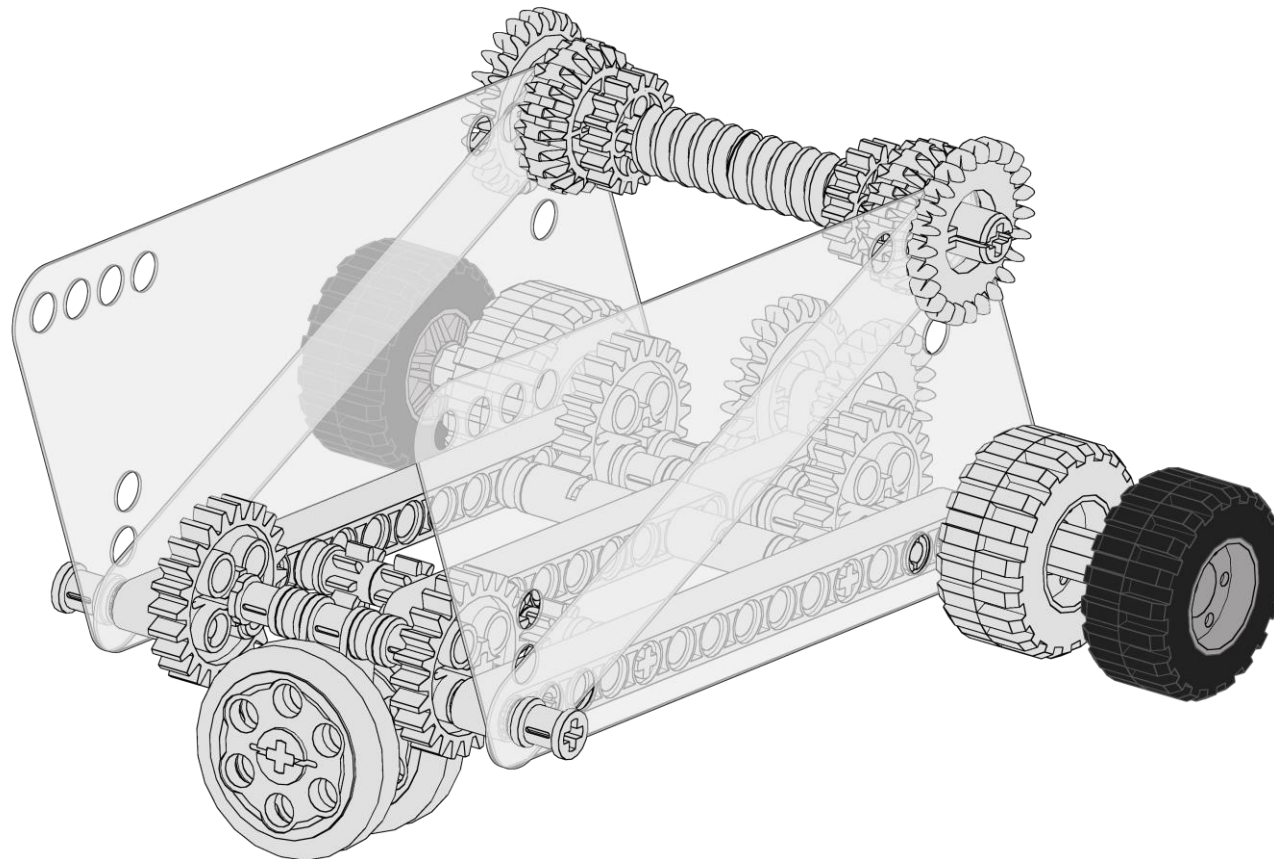


Wheel - Rim
Small
Light Gray

2x



Wheel - Tire
Small
Black



Grand Canyon Carrier

28
of 39

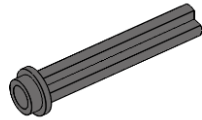
2x



Cam

Dark Gray

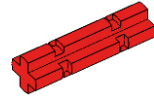
2x



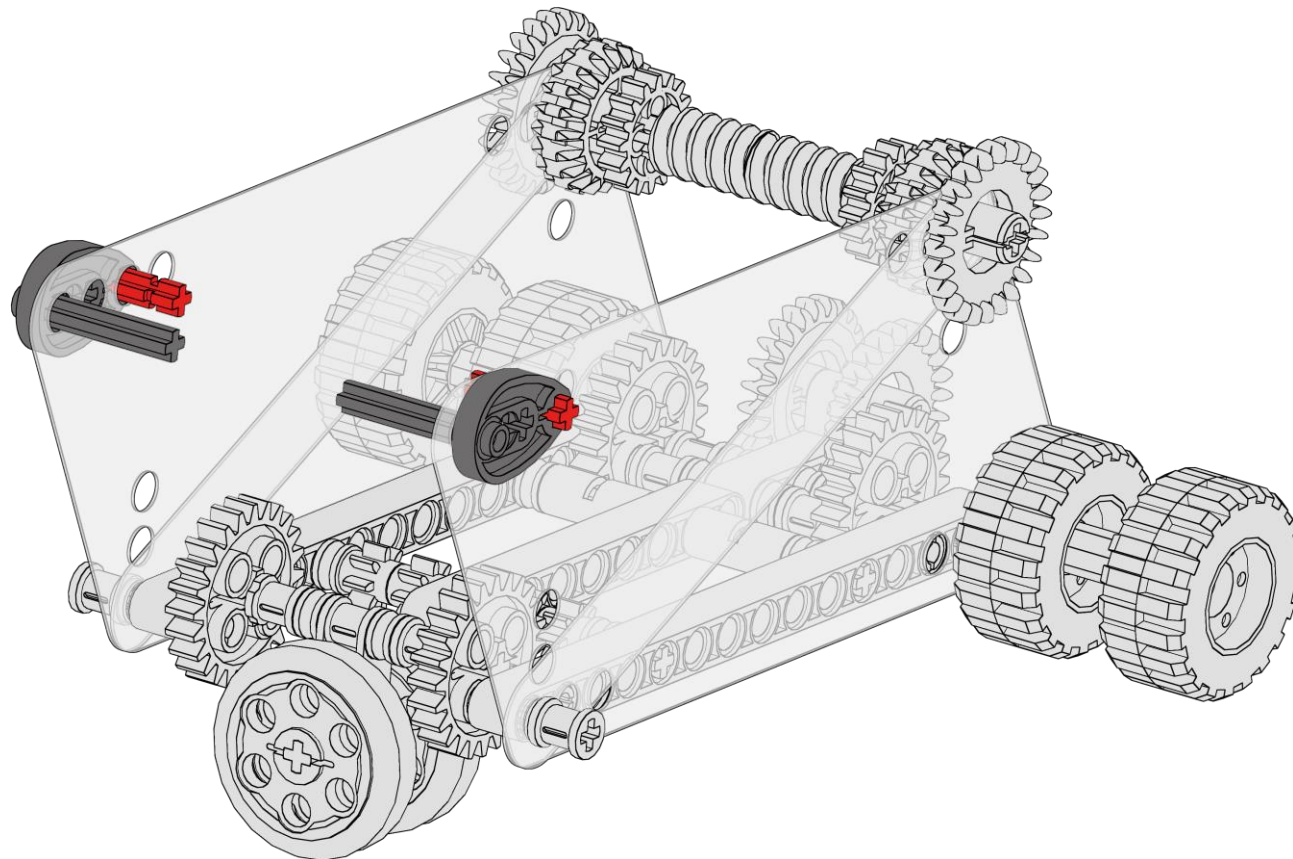
Axle 3
Stud

Dark Gray


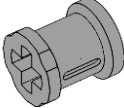
2x

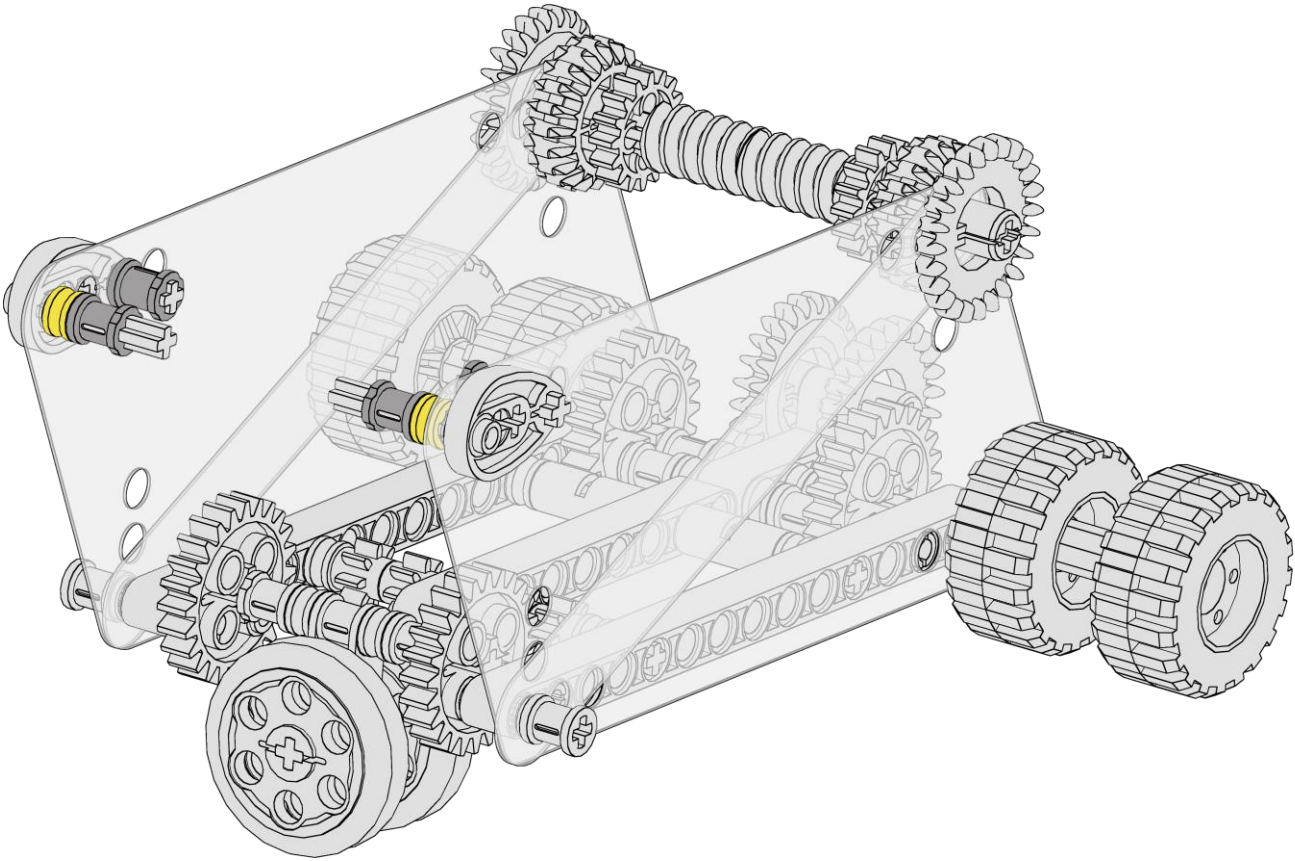


Axle 2
Notched
Red

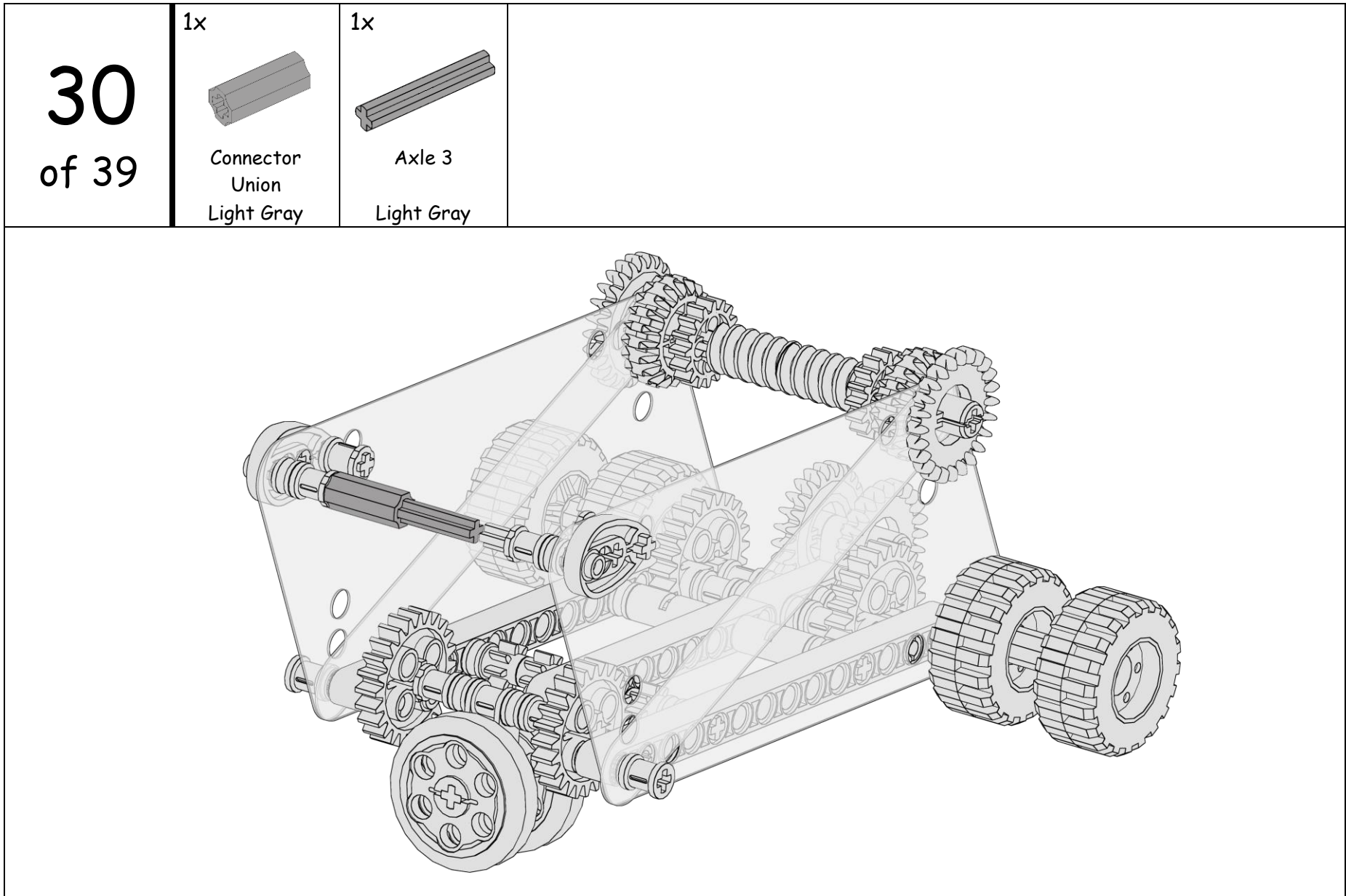


Grand Canyon Carrier

<p>29 of 39</p>	<p>2x</p>  <p>Bushing 1/2 Yellow</p>	<p>4x</p>  <p>Bushing Light Gray</p>	
---------------------	---	---	--



Grand Canyon Carrier



Grand Canyon Carrier

31
of 39

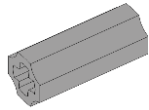
2x



Cam

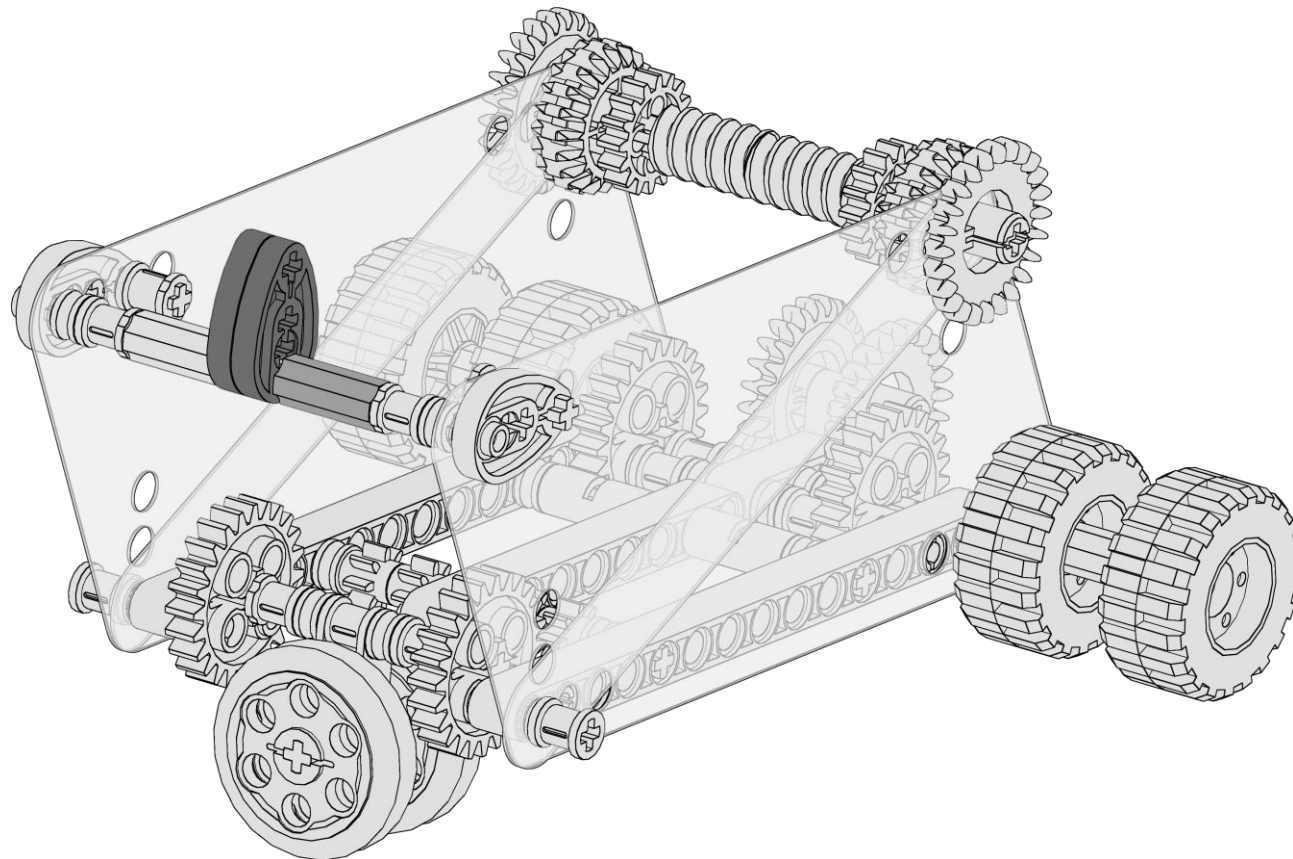
Dark Gray

1x



Connector
Union

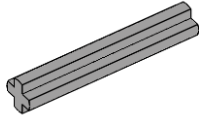
Light Gray



Grand Canyon Carrier

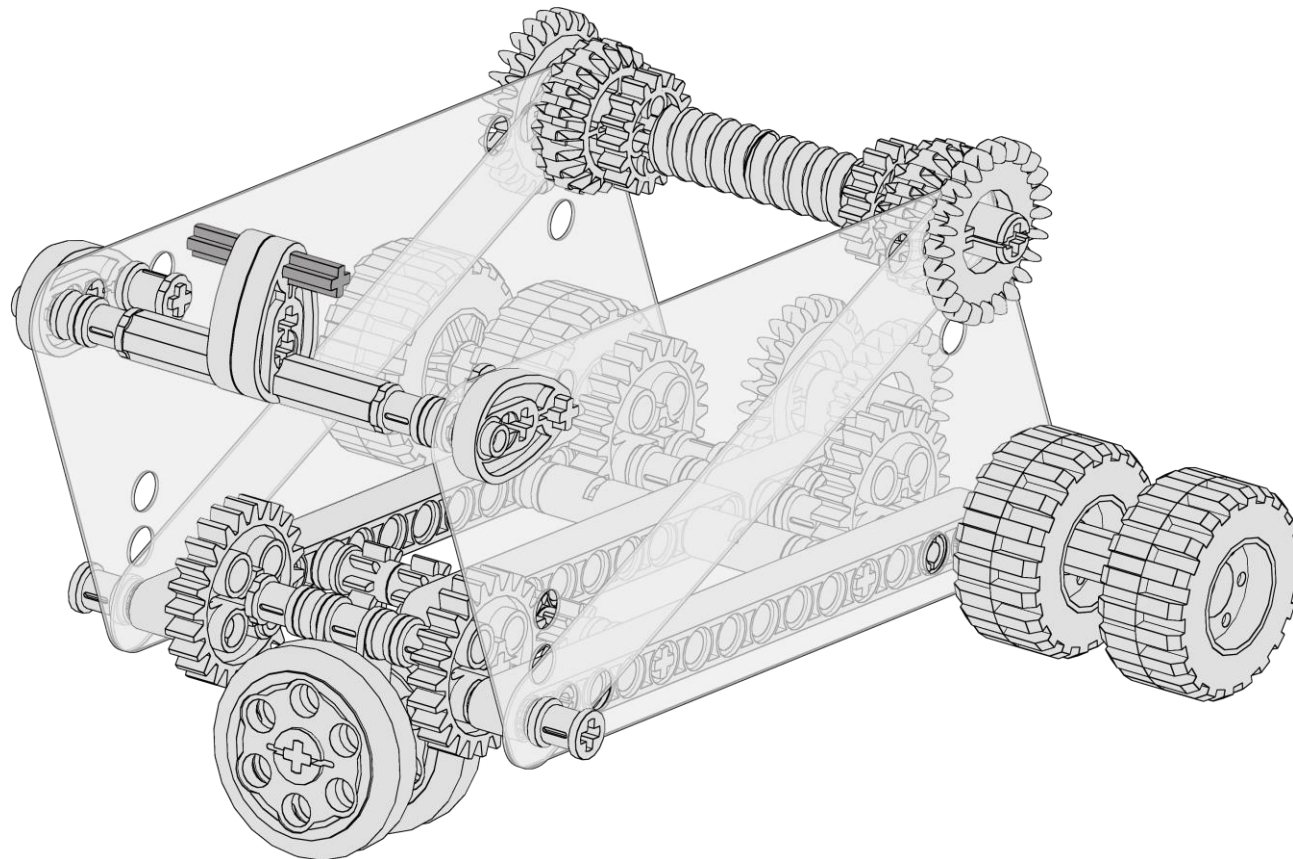
32
of 39

1x

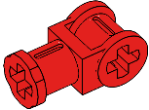
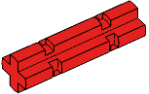
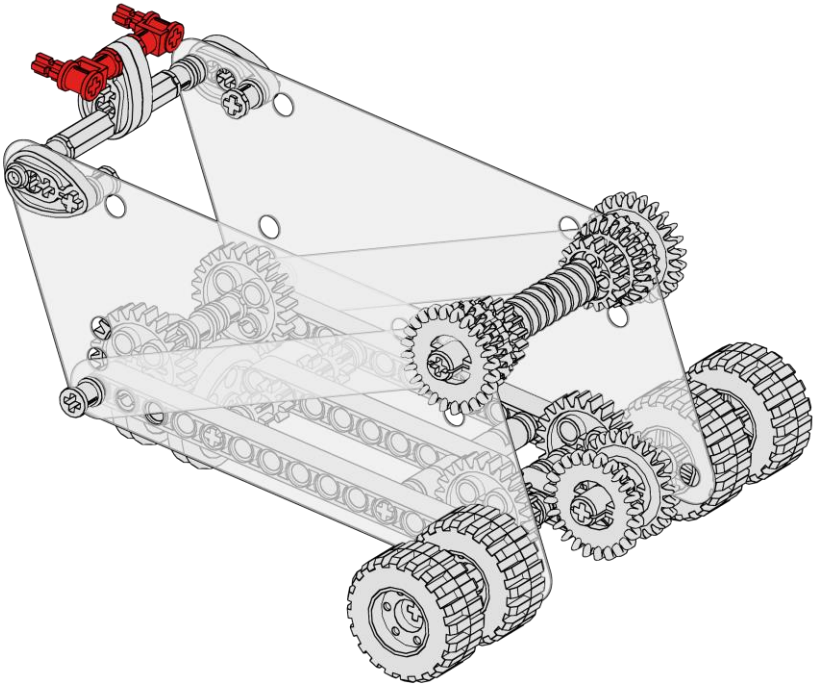


Axle 3

Light Gray



Grand Canyon Carrier

<p>33 of 39</p>	<p>2x</p>  <p>Connector 1x2 90 Degree Red</p>	<p>2x</p>  <p>Axle 2 Notched Red</p>	
			

Grand Canyon Carrier

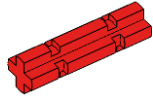
34
of 39

2x

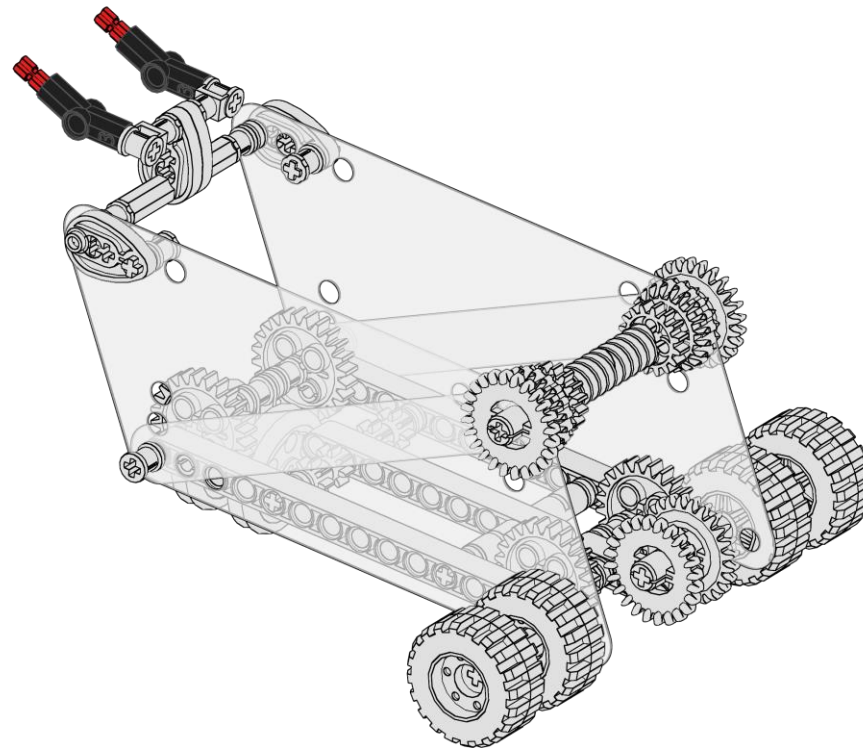


Connector
30 Degree
Black

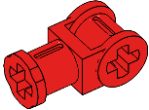
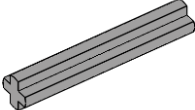
2x

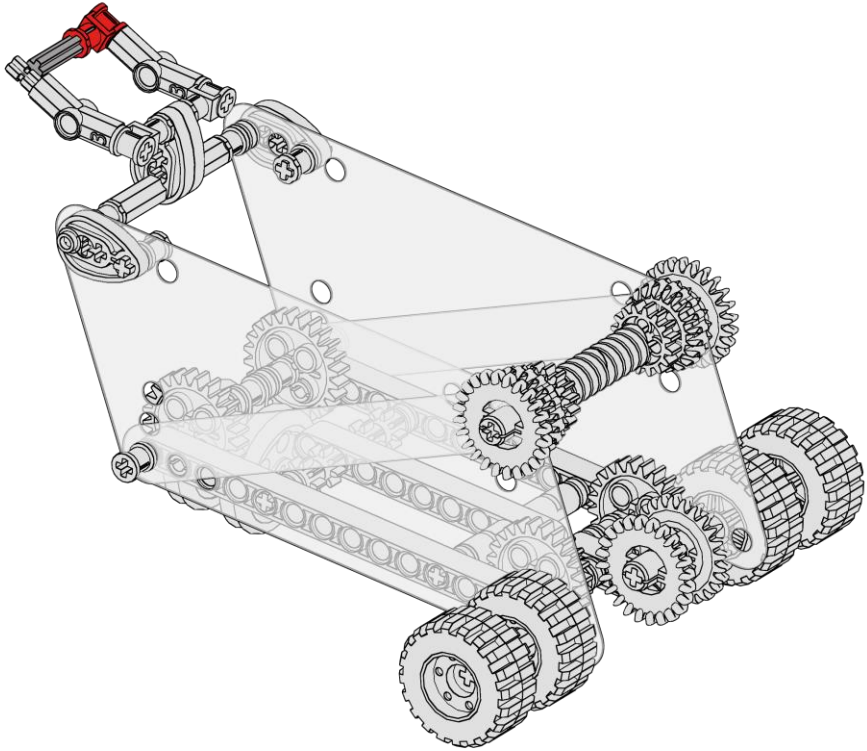


Axle 2
Notched
Red



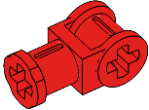
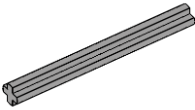
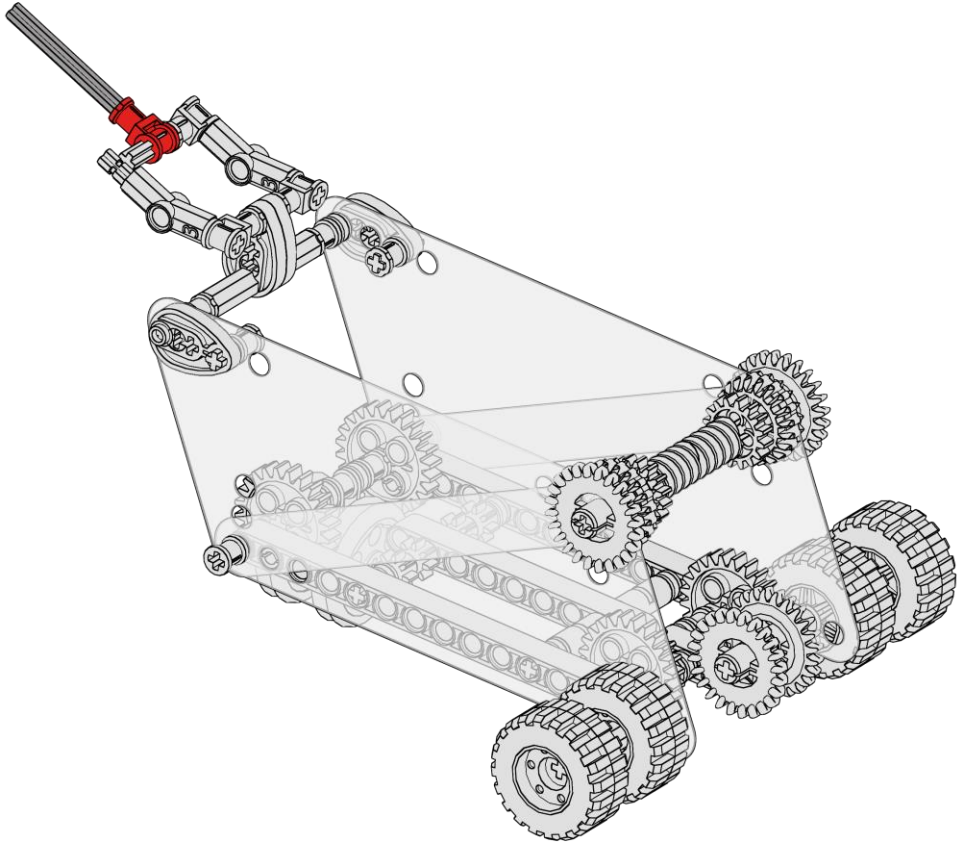
Grand Canyon Carrier

<p>35 of 39</p>	<p>1x</p>  <p>Connector 1x2 90 Degree Red</p>	<p>1x</p>  <p>Axle 3 Light Gray</p>	
---------------------	--	--	--



The diagram shows a perspective view of the carrier's internal mechanism. A red connector is being positioned to attach to a light gray axle. The axle is part of a drive system that includes several gears of different sizes and two large treaded wheels. The carrier's body is shown in a semi-transparent style to reveal the internal components.

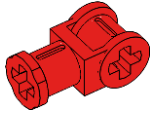
Grand Canyon Carrier

<p>36 of 39</p>	<p>1x</p>  <p>Connector 1x2 90 Degree Red</p>	<p>1x</p>  <p>Axle 5 Light Gray</p>	
			

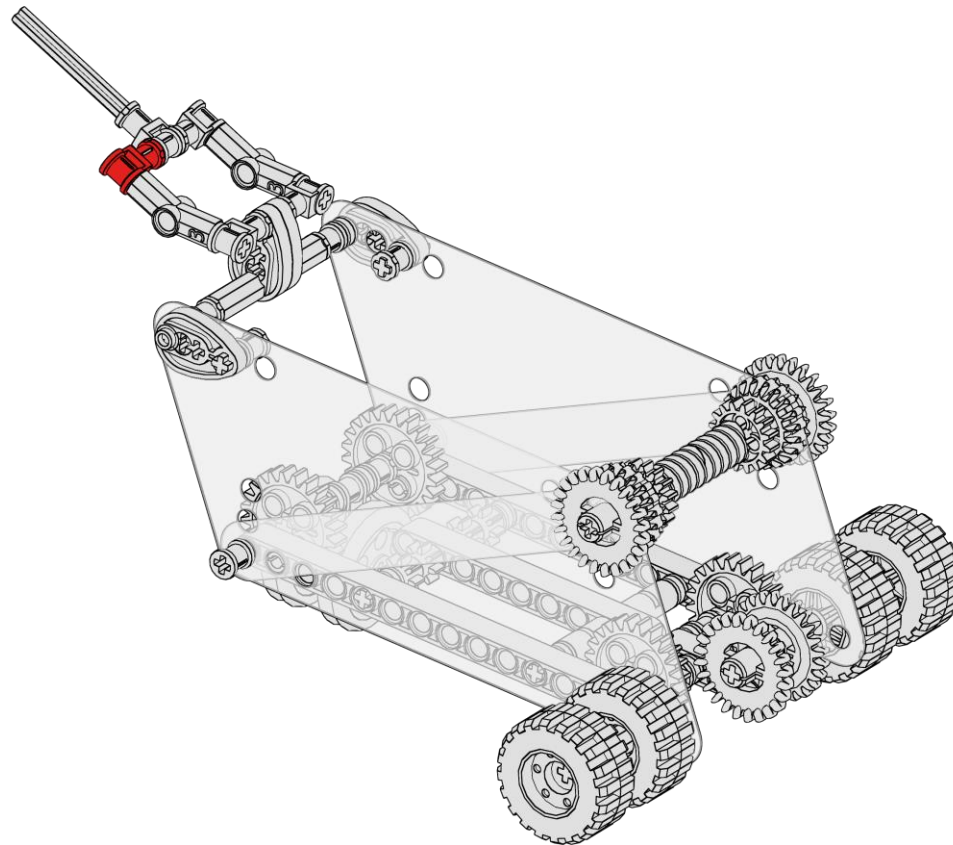
Grand Canyon Carrier

37
of 39

1x



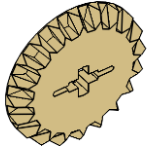
Connector 1x2
90 Degree
Red



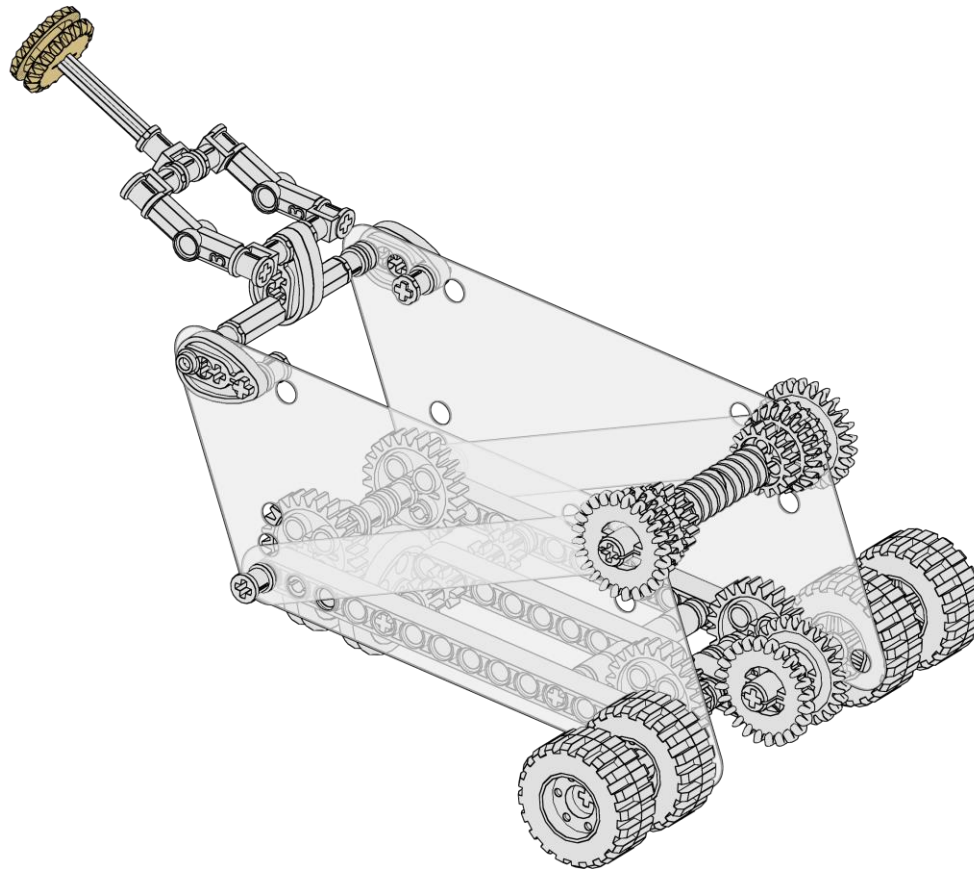
Grand Canyon Carrier

38
of 39

2x



Gear - 20 Tooth
Bevel
Tan



Grand Canyon Carrier

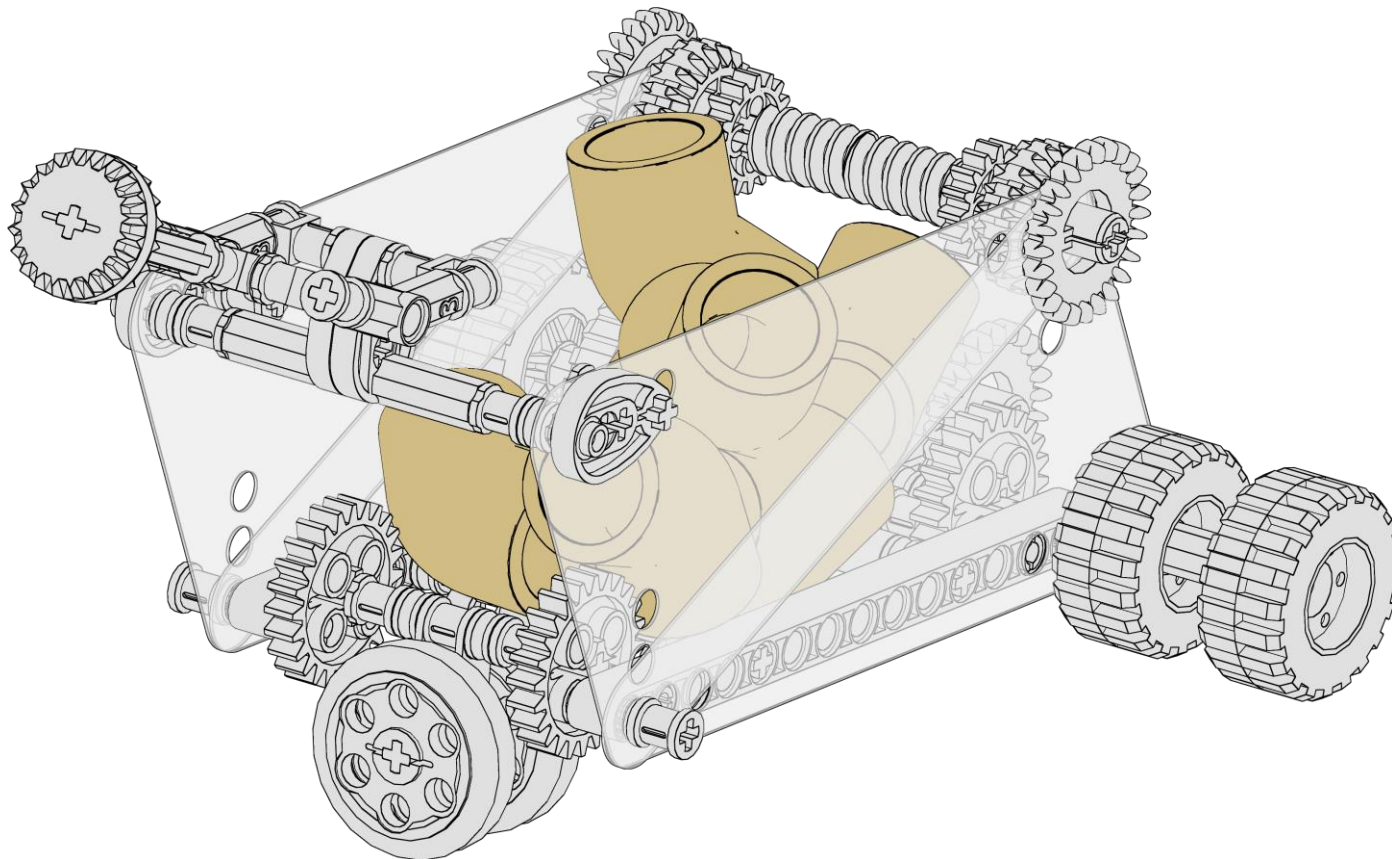
39
of 39

7x

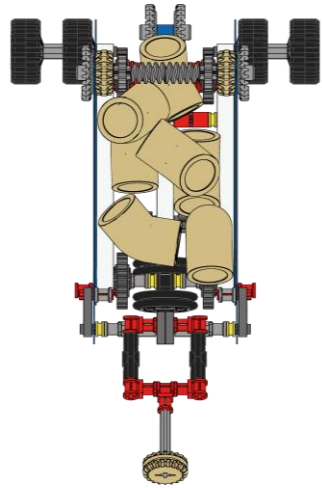


Robomole

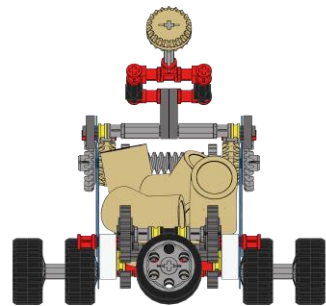
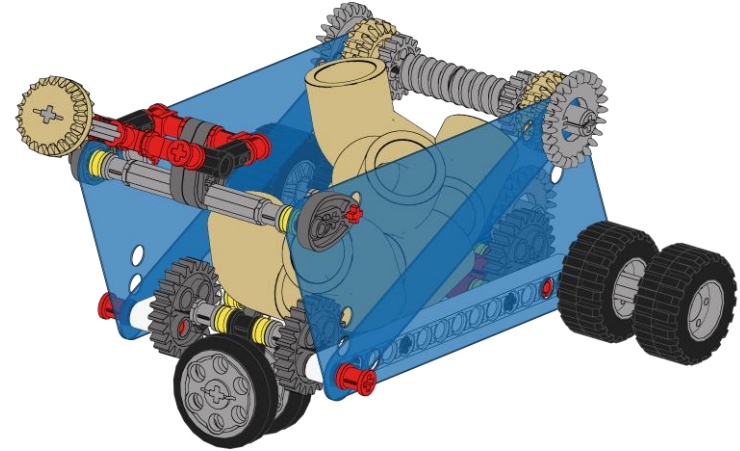
Tan



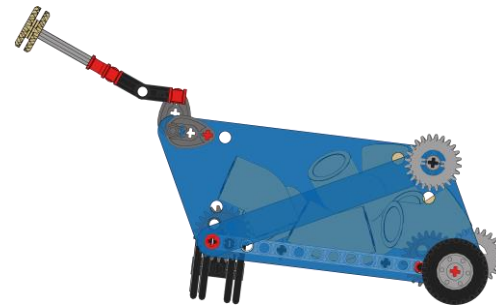
Grand Canyon Carrier



Top View



Front View



Side View