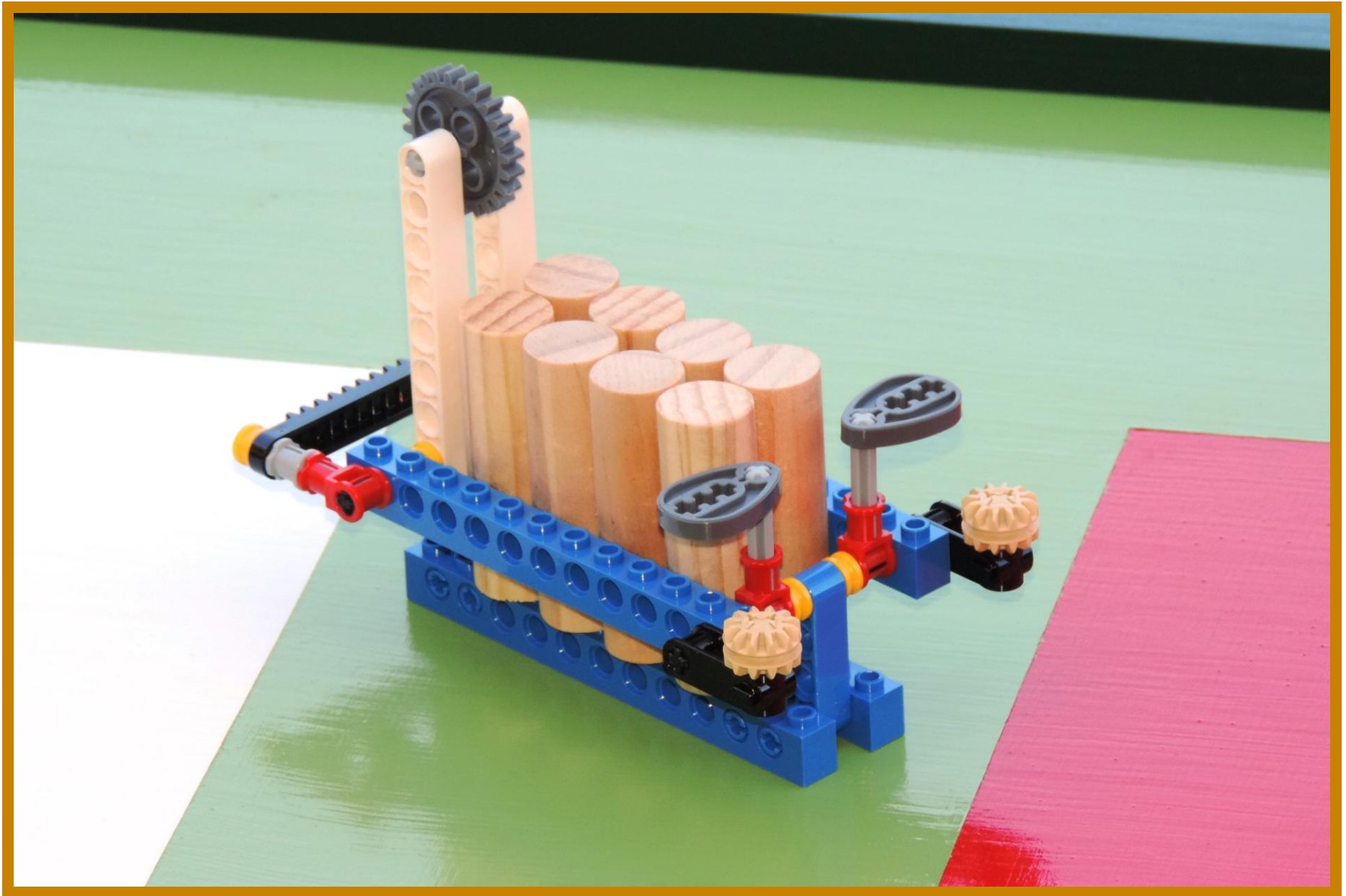
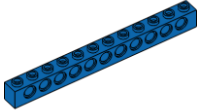
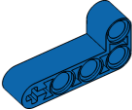
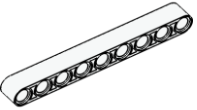
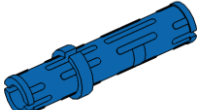
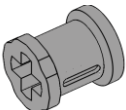

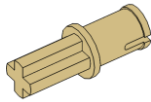
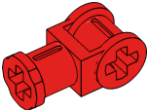

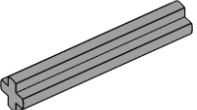

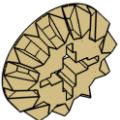
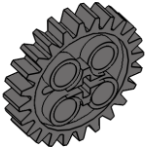
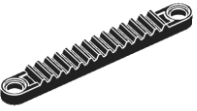

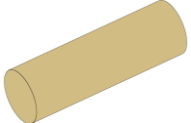


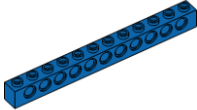
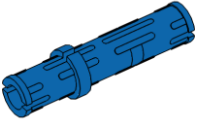
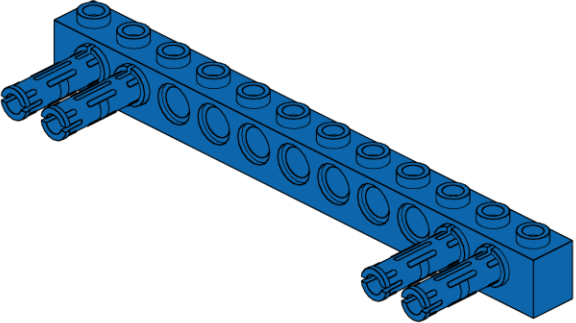
Executive Carrier



Executive Carrier

<p>4x</p>  <p>Brick 1x12 Holes Blue</p>	<p>2x</p>  <p>Liftarm 1x2x4 90 deg bend Blue</p>		<p>2x</p>  <p>Liftarm 1x9 White</p>			
<p>5x</p>  <p>Pin - Long Slots Blue</p>		<p>2x</p>  <p>Bushing Light Gray</p>	<p>6x</p>  <p>Bushing 1/2 Yellow</p>	<p>2x</p>  <p>Pin - Axle Tan</p>		
<p>4x</p>  <p>Connector 1x2 90 Degree Red</p>	<p>2x</p>  <p>Connector 1x3 90 Degree Black</p>		<p>5x</p>  <p>Axle 3 Light Gray</p>	<p>2x</p>  <p>Axle 8 Black</p>		
<p>4x</p>  <p>Gear - 12 Tooth Bevel Tan</p>	<p>1x</p>  <p>Gear - 24 Tooth Dark Gray</p>		<p>1x</p>  <p>Gear - Rack 1x8 Black</p>	<p>2x</p>  <p>Cam Dark Gray</p>		
						<p>8x</p>  <p>Law Wood</p>

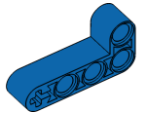
Executive Carrier

<p>1 of 17</p>	<p>1x</p>  <p>Brick 1x12 Holes Blue</p>	<p>4x</p>  <p>Pin - Long Slots Blue</p>	
			

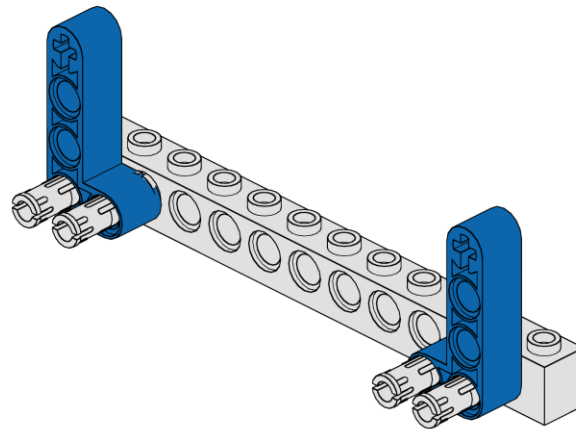
Executive Carrier

2
of 17

2x



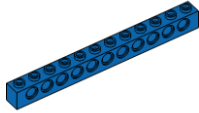
Liftarm 1x2x4
90 deg bend
Blue



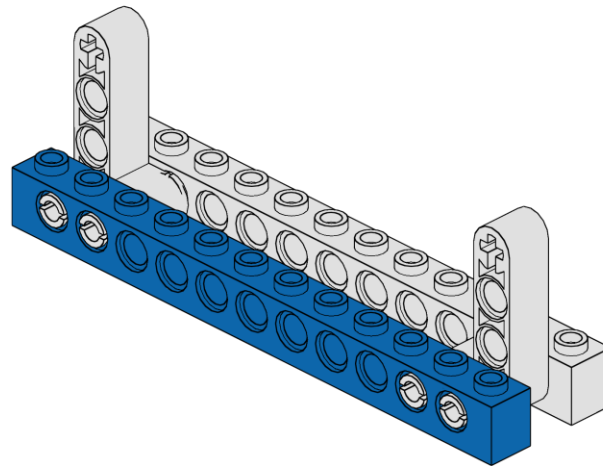
Executive Carrier

3
of 17

1x



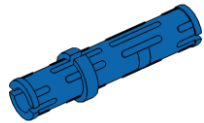
Brick 1x12
Holes
Blue



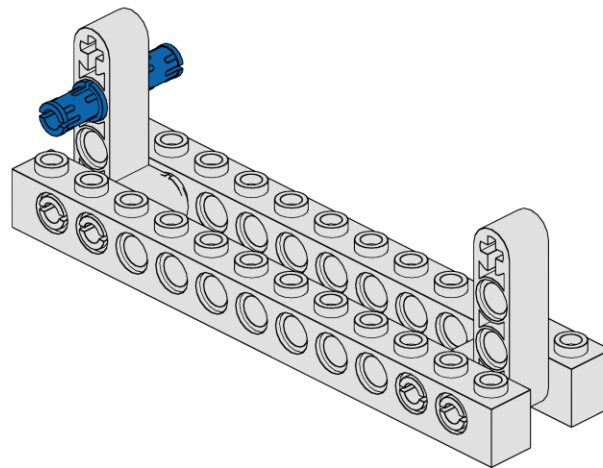
Executive Carrier

4
of 17

1x



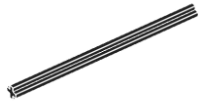
Pin - Long
Slots
Blue



Executive Carrier

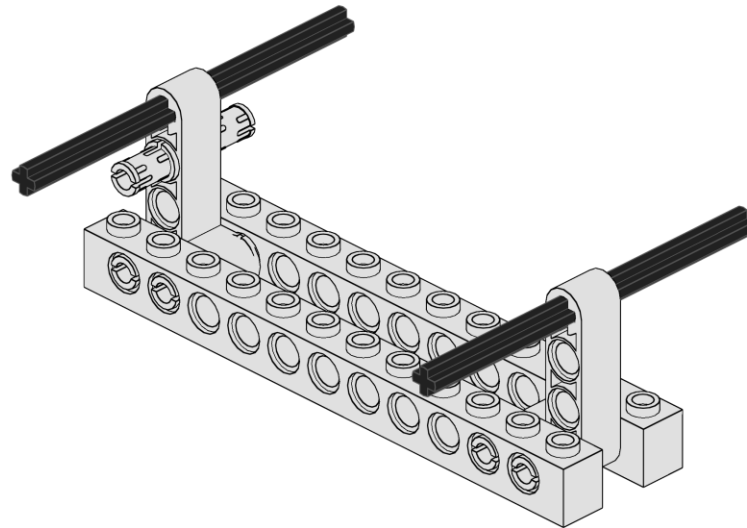
5
of 17

2x



Axle 8

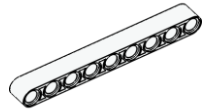
Black



Executive Carrier

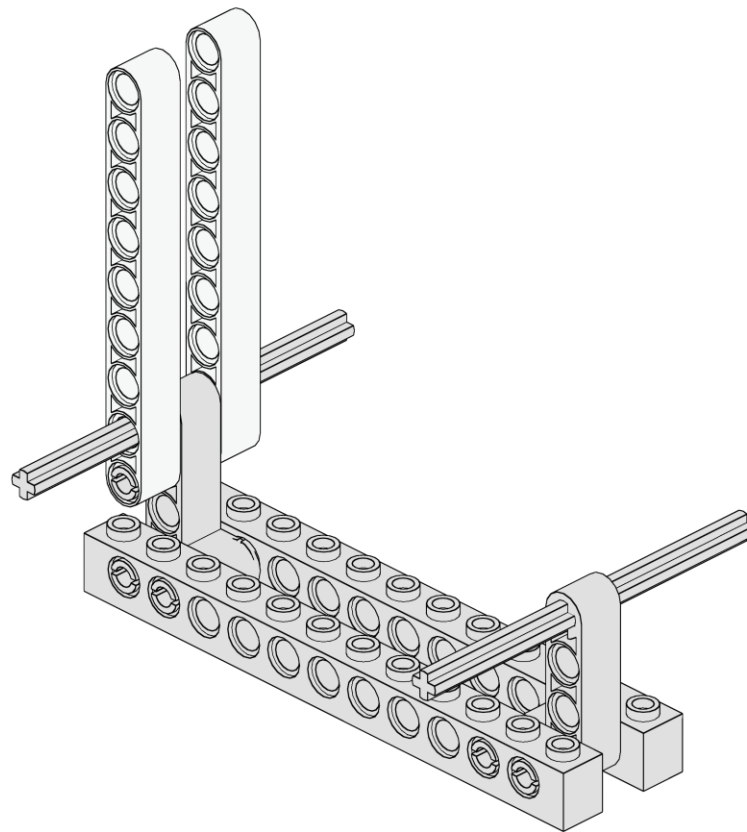
6
of 17

2x



Liftarm 1x9

White



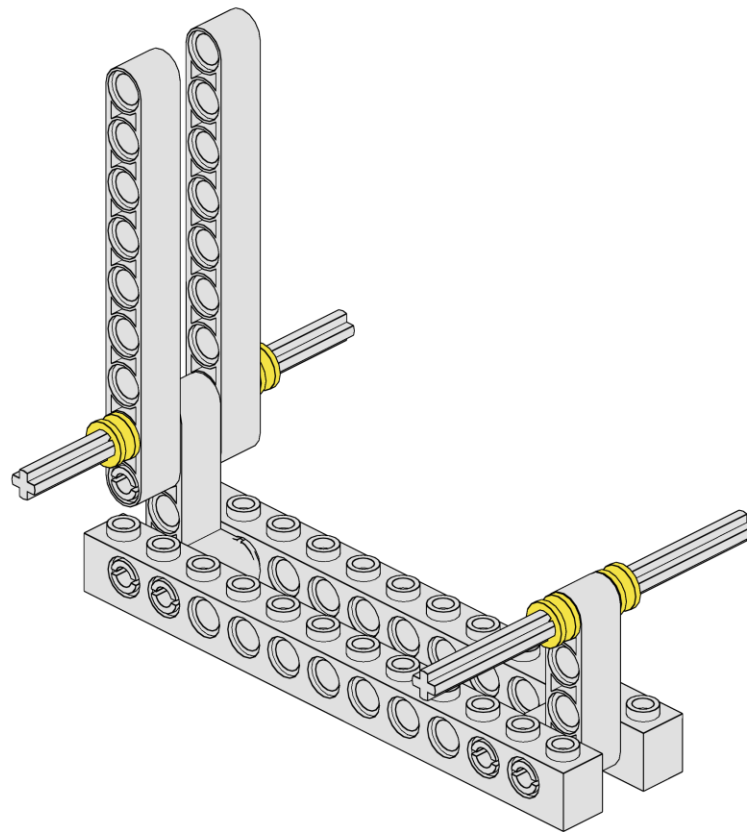
Executive Carrier

7
of 17

4x



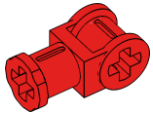
Bushing
1/2
Yellow



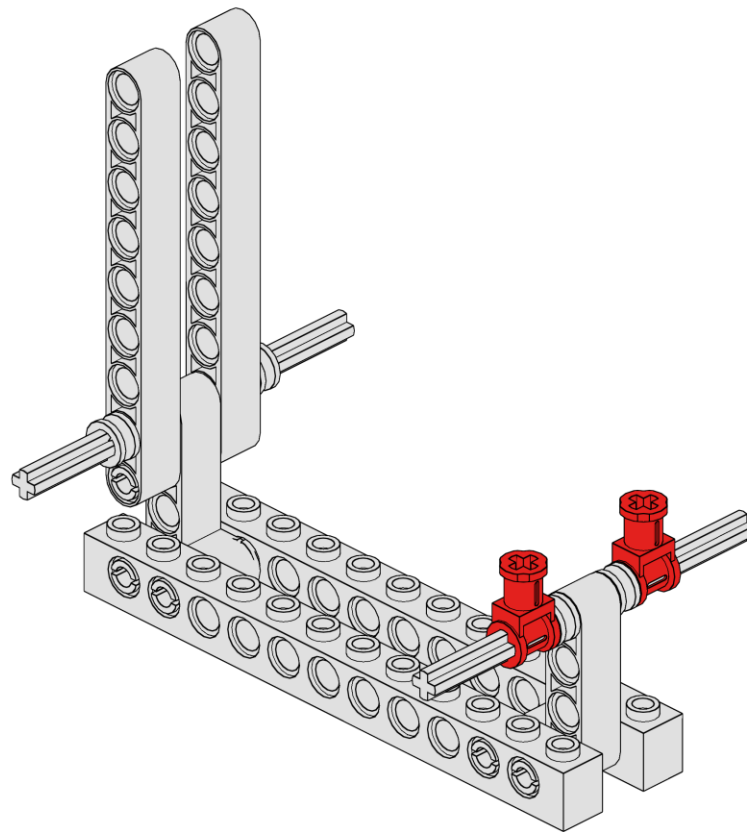
Executive Carrier

8
of 17

2x



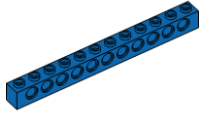
Connector 1x2
90 Degree
Red



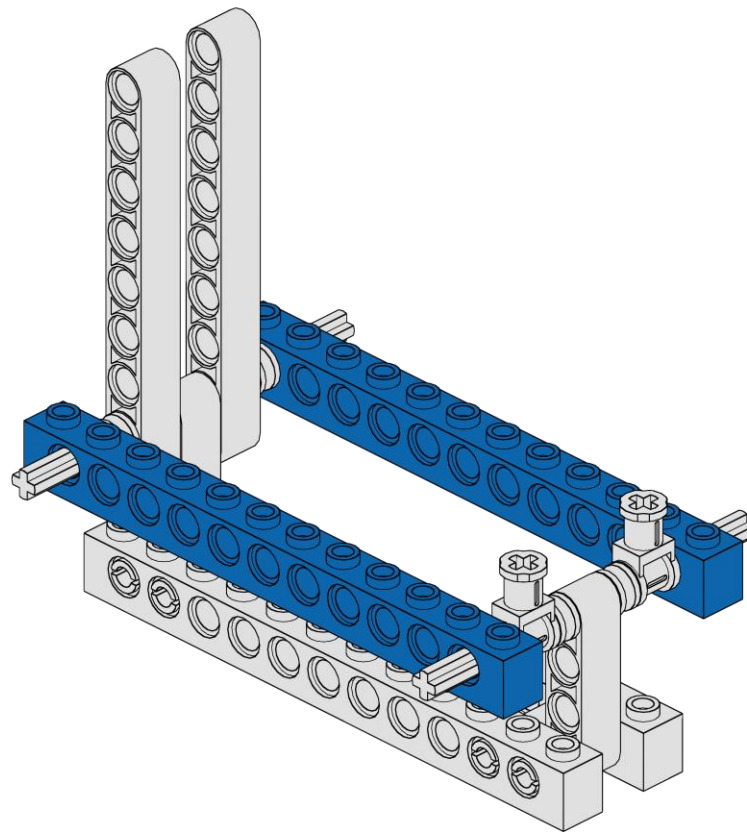
Executive Carrier

9
of 17

2x



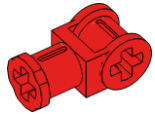
Brick 1x12
Holes
Blue



Executive Carrier

10
of 17

2x

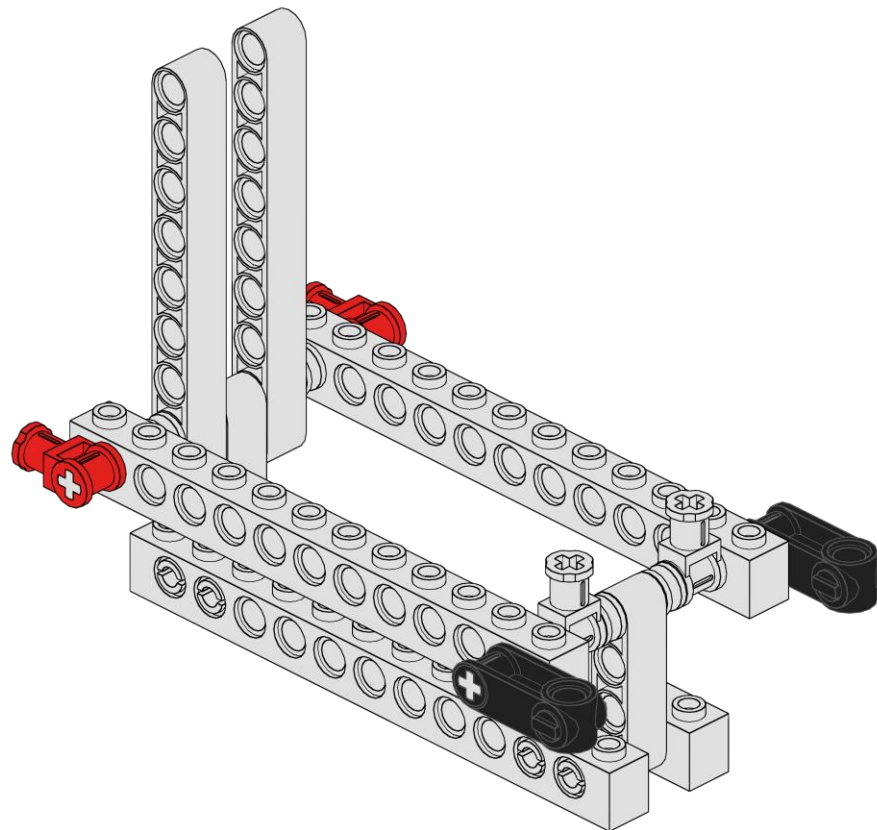


Connector 1x2
90 Degree
Red

2x



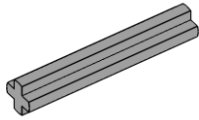
Connector 1x3
90 Degree
Black



Executive Carrier

11
of 17

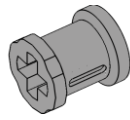
2x



Axle 3

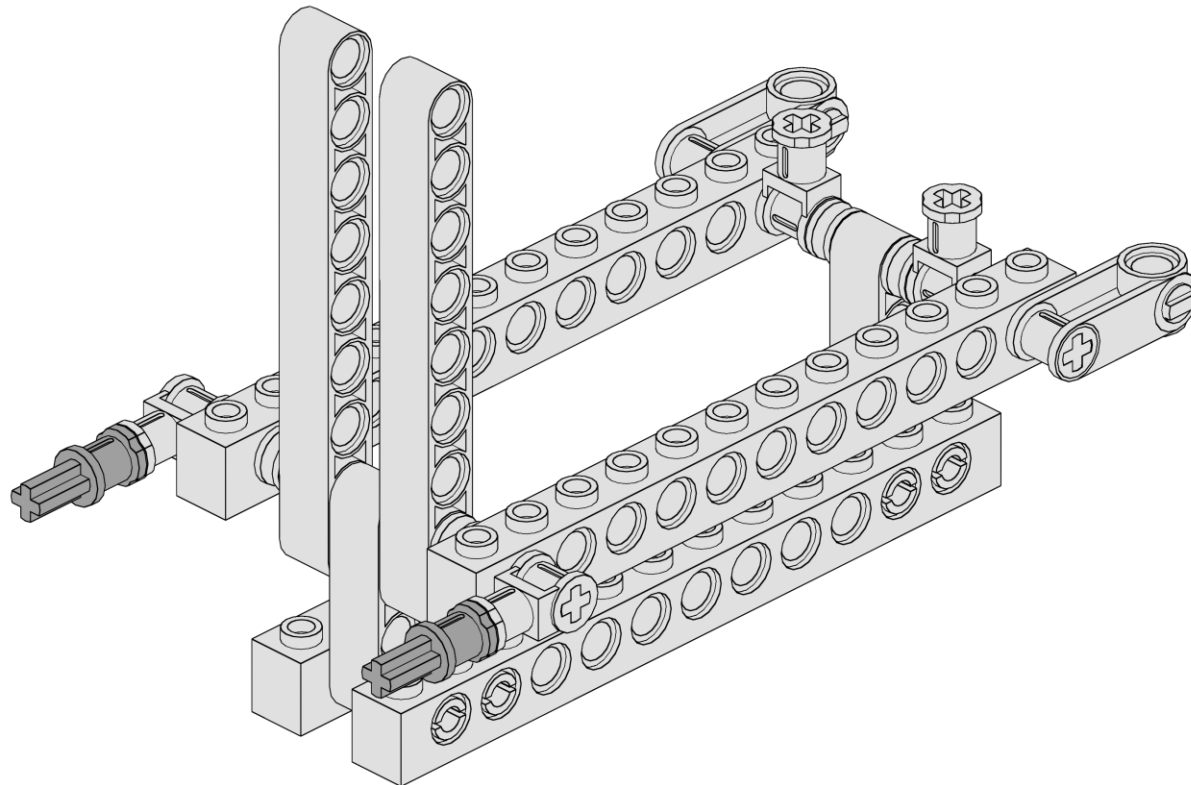
Light Gray

2x



Bushing

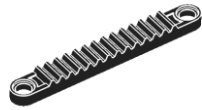
Light Gray



Executive Carrier

12
of 17

1x



Gear - Rack 1x8

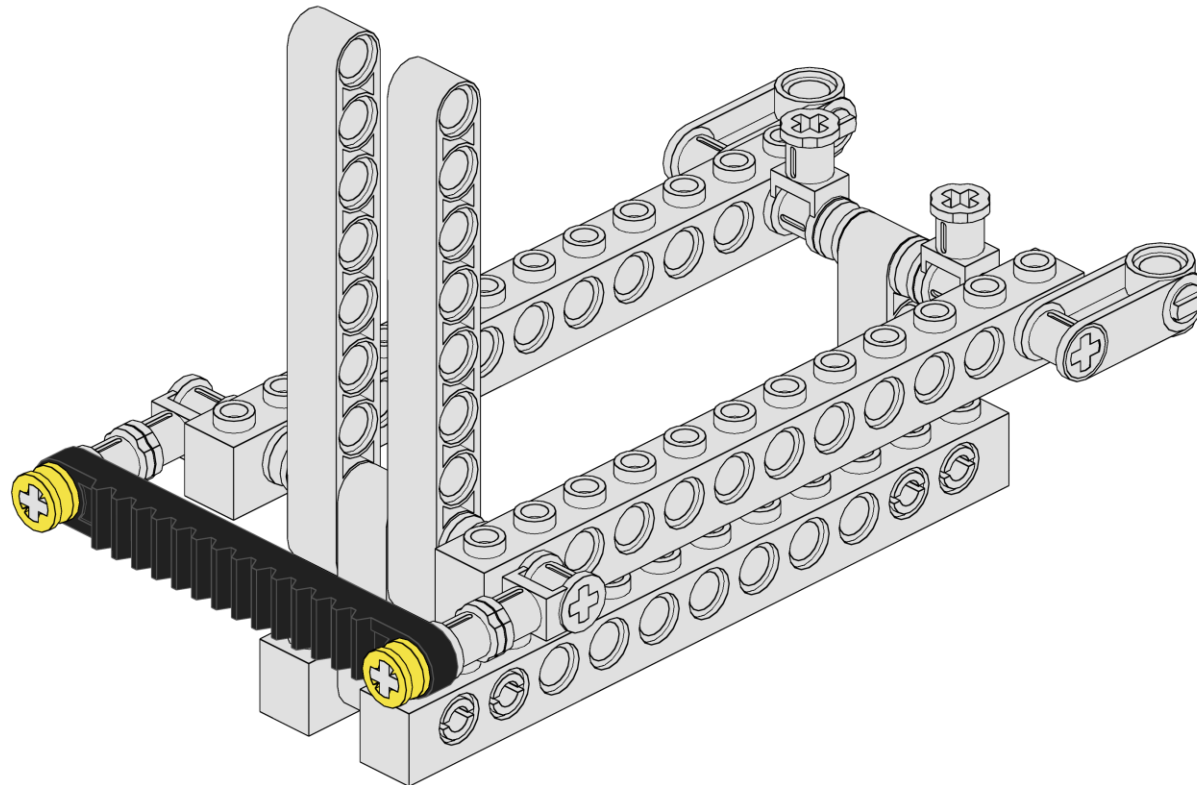
Black

2x



Bushing
1/2

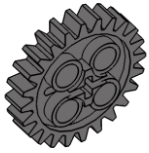
Yellow



Executive Carrier

13
of 17

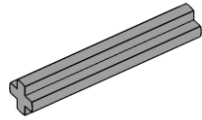
1x



Gear - 24 Tooth

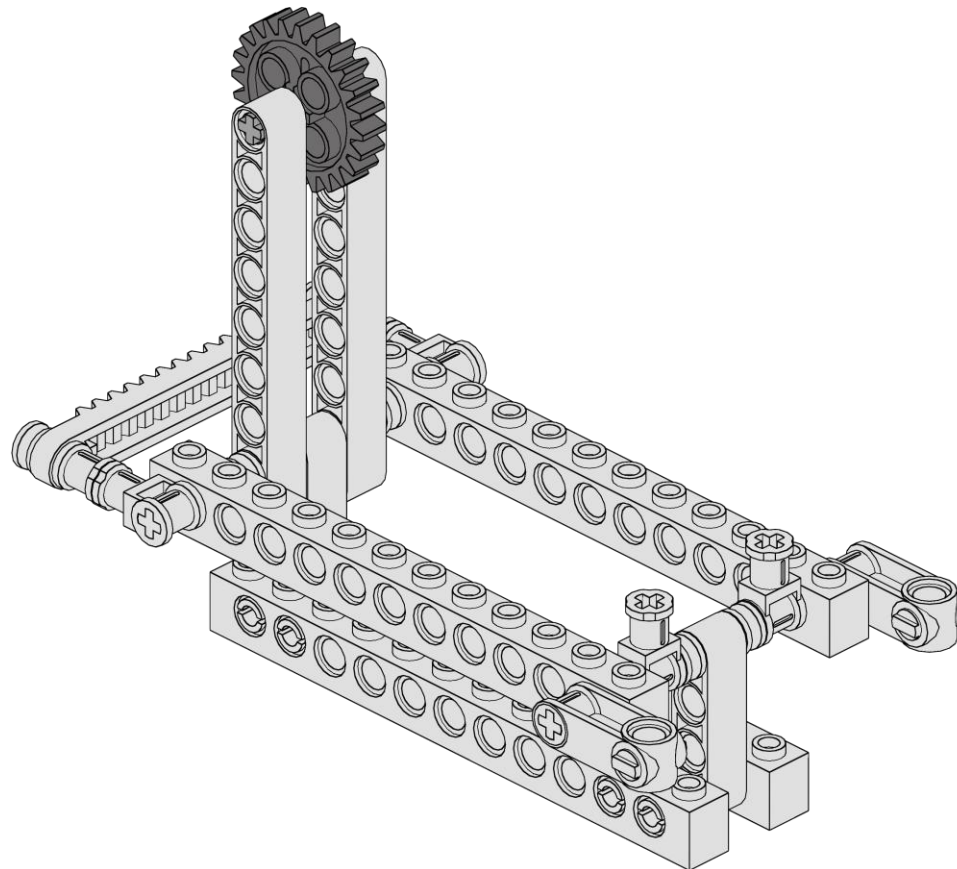
Dark Gray

1x



Axle 3

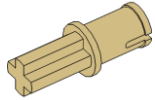
Light Gray



Executive Carrier

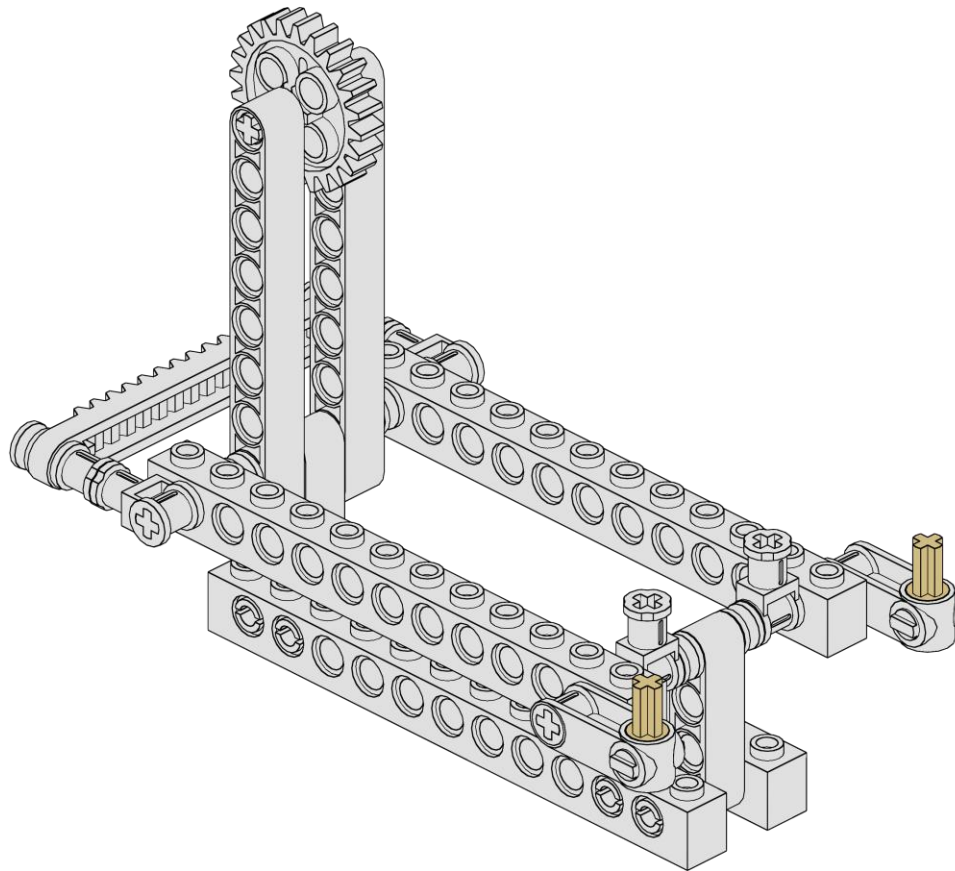
14
of 17

2x

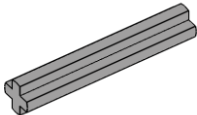



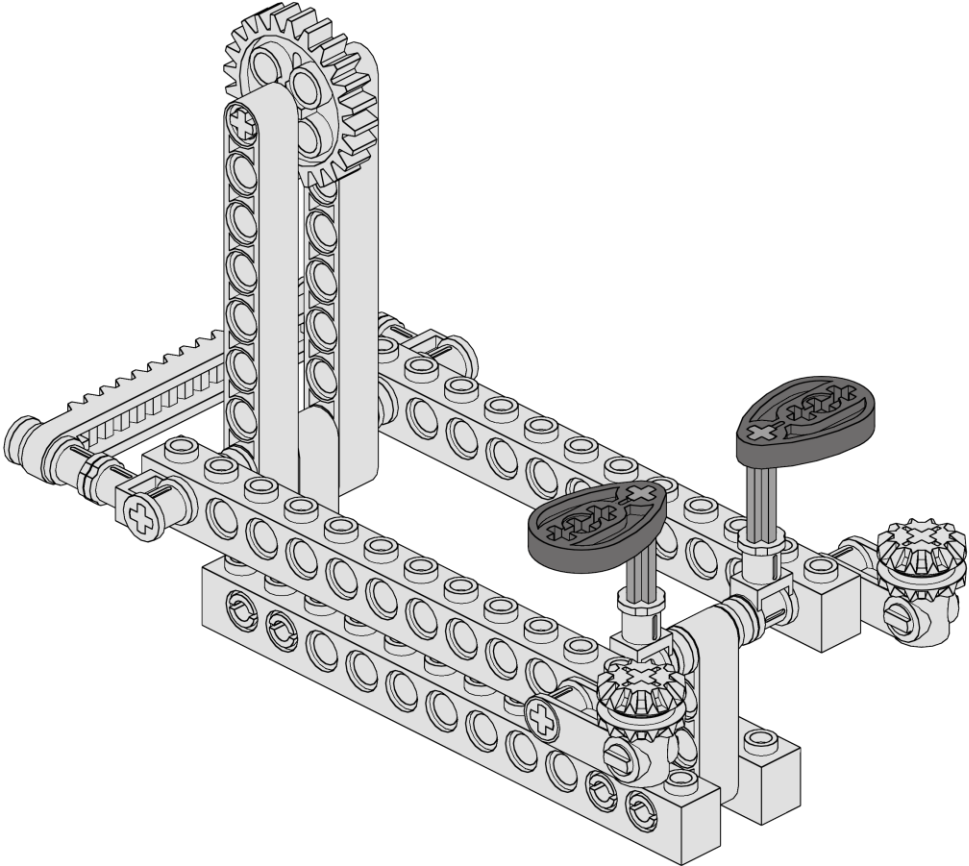
Pin - Axle

Tan



Executive Carrier

<p>16 of 17</p>	<p>2x</p>  <p>Axle 3 Light Gray</p>	<p>2x</p>  <p>Cam Dark Gray</p>	
---------------------	--	--	--

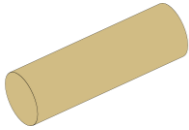


The diagram illustrates the assembly step. A vertical axle is inserted into a hole in a light gray Technic beam. A horizontal axle is inserted into a hole in another light gray Technic beam. Two dark gray cam pieces are being pushed onto the horizontal axle. The assembly includes various gears, pins, and other Technic components.

Executive Carrier

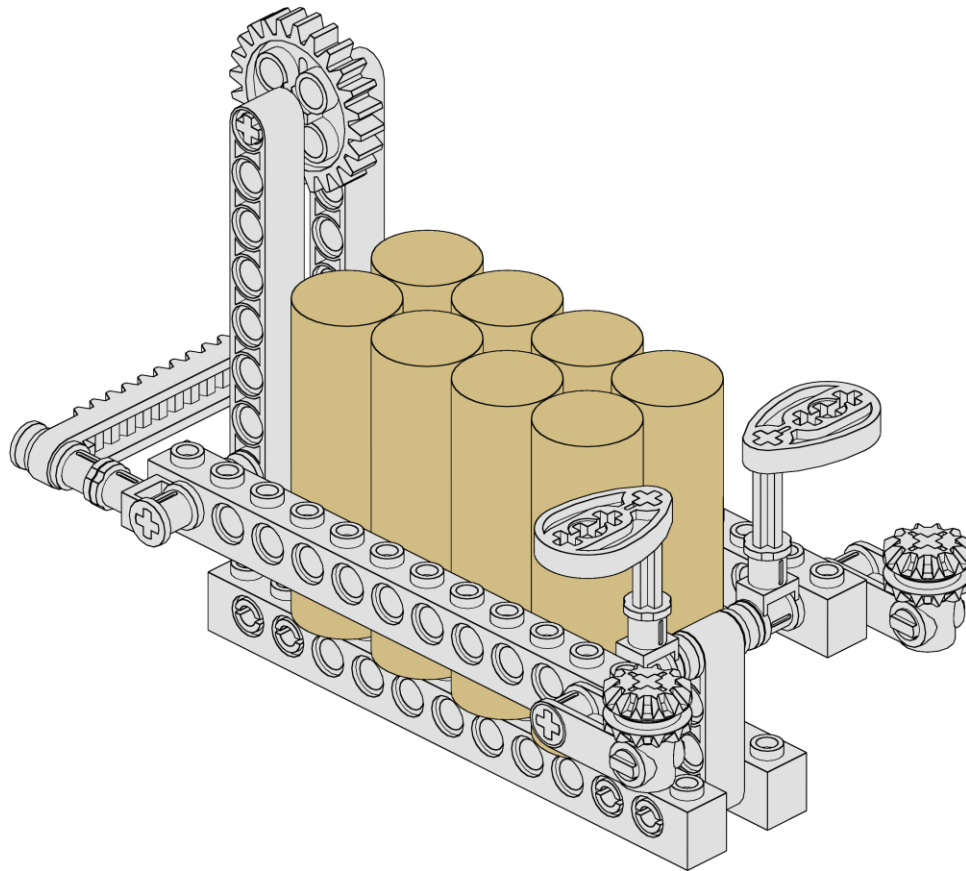
17
of 17

8x

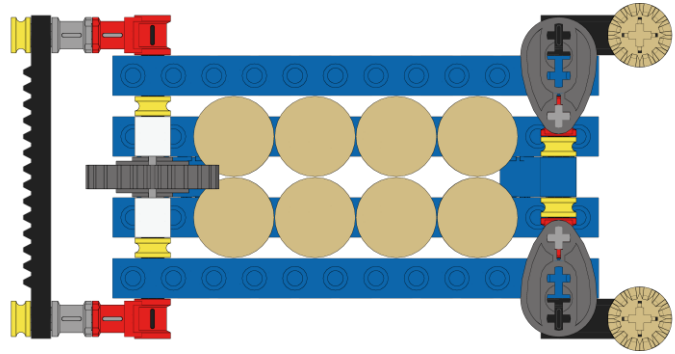


Law

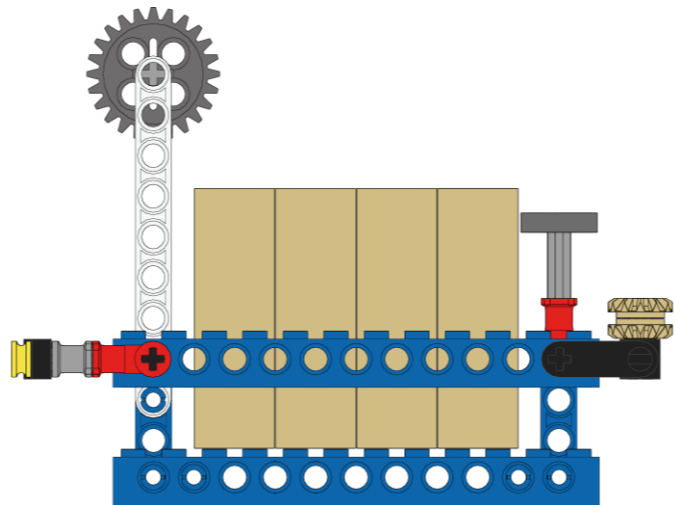
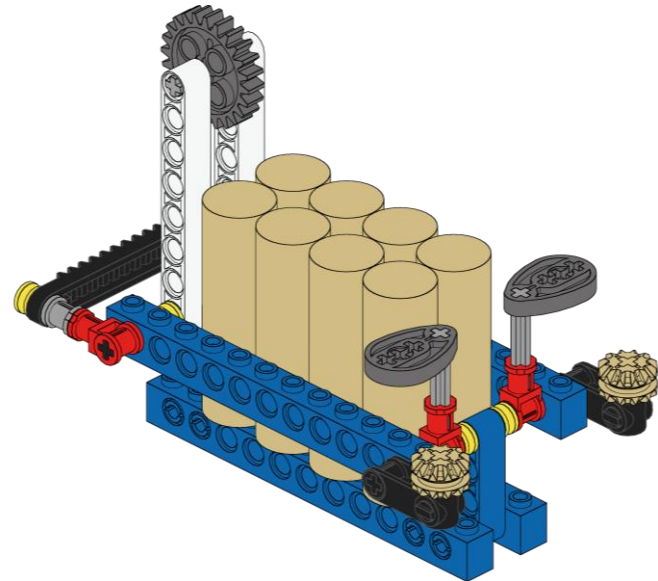
Wood



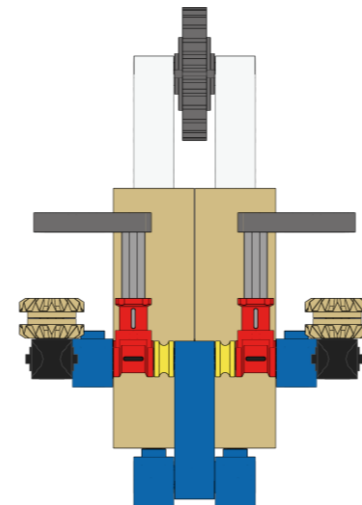
Executive Carrier



Top View



Side View



Front View