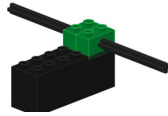


Vegetable Carrier

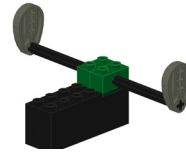
1



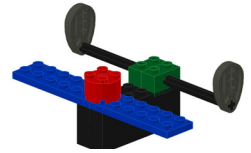
2



3

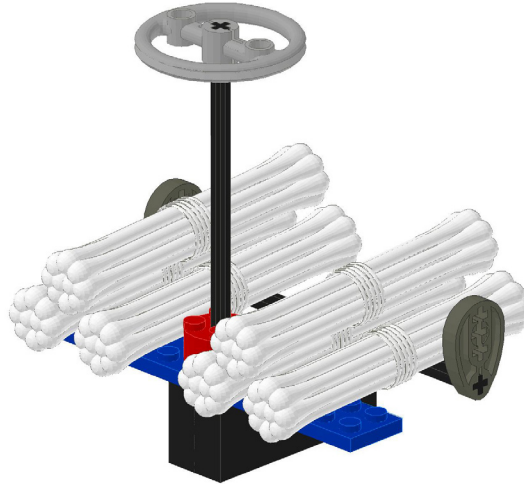


4

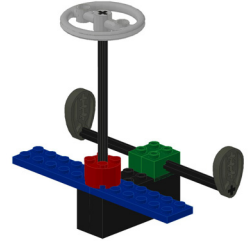


Parts List

Step	Qty	Description
1	1	Weight 2x6x2
2	1	Axle 12
2	2	Brick 1x2 – axle-hole
3	2	Cam - axle
4	2	Plate 2x6
4	1	Brick 2x2 - Round
5	1	Axle 10
5	1	Pulley - Large
6	6	Crop Bale



5



6

