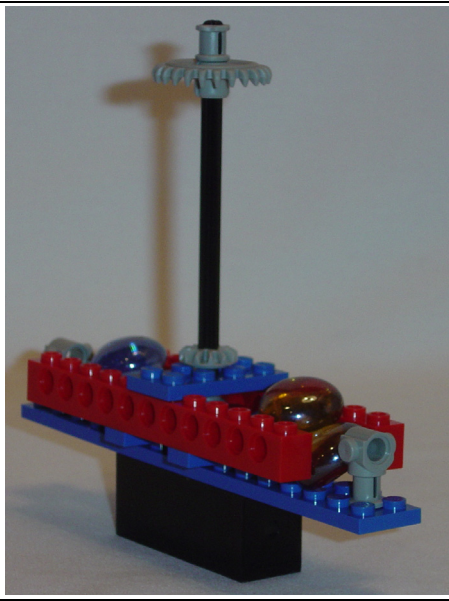


# Surveyor Carrier

1	2	3	4																																														
<p><b>Parts List</b></p> <table border="1"> <thead> <tr> <th>Step</th> <th>Qty</th> <th>Description</th> </tr> </thead> <tbody> <tr> <td>1</td> <td>1</td> <td>Weight 2x6x2</td> </tr> <tr> <td>2</td> <td>2</td> <td>Plate 2x8 -holes</td> </tr> <tr> <td>3</td> <td>1</td> <td>Brick 2x2 - Round</td> </tr> <tr> <td>4</td> <td>1</td> <td>Axle 12</td> </tr> <tr> <td>5</td> <td>1</td> <td>Bushing - 1/2</td> </tr> <tr> <td>6</td> <td>1</td> <td>Plate 2x4 - holes</td> </tr> <tr> <td>7</td> <td>1</td> <td>Gear - 12 Tooth - Bevel</td> </tr> <tr> <td>8</td> <td>1</td> <td>Gear - 24 Tooth - Crown</td> </tr> <tr> <td>8</td> <td>1</td> <td>Bushing</td> </tr> <tr> <td>9</td> <td>2</td> <td>Brick 1x12 - holes</td> </tr> <tr> <td>10</td> <td>2</td> <td>Plate 1x4</td> </tr> <tr> <td>11</td> <td>2</td> <td>Connector</td> </tr> <tr> <td>12</td> <td>3</td> <td>Blue Moon Rock</td> </tr> <tr> <td>12</td> <td>3</td> <td>Amber Moon Rock</td> </tr> </tbody> </table>		Step	Qty	Description	1	1	Weight 2x6x2	2	2	Plate 2x8 -holes	3	1	Brick 2x2 - Round	4	1	Axle 12	5	1	Bushing - 1/2	6	1	Plate 2x4 - holes	7	1	Gear - 12 Tooth - Bevel	8	1	Gear - 24 Tooth - Crown	8	1	Bushing	9	2	Brick 1x12 - holes	10	2	Plate 1x4	11	2	Connector	12	3	Blue Moon Rock	12	3	Amber Moon Rock	5	6	7
Step	Qty	Description																																															
1	1	Weight 2x6x2																																															
2	2	Plate 2x8 -holes																																															
3	1	Brick 2x2 - Round																																															
4	1	Axle 12																																															
5	1	Bushing - 1/2																																															
6	1	Plate 2x4 - holes																																															
7	1	Gear - 12 Tooth - Bevel																																															
8	1	Gear - 24 Tooth - Crown																																															
8	1	Bushing																																															
9	2	Brick 1x12 - holes																																															
10	2	Plate 1x4																																															
11	2	Connector																																															
12	3	Blue Moon Rock																																															
12	3	Amber Moon Rock																																															
		8	9	10																																													
12	11	10	9																																														