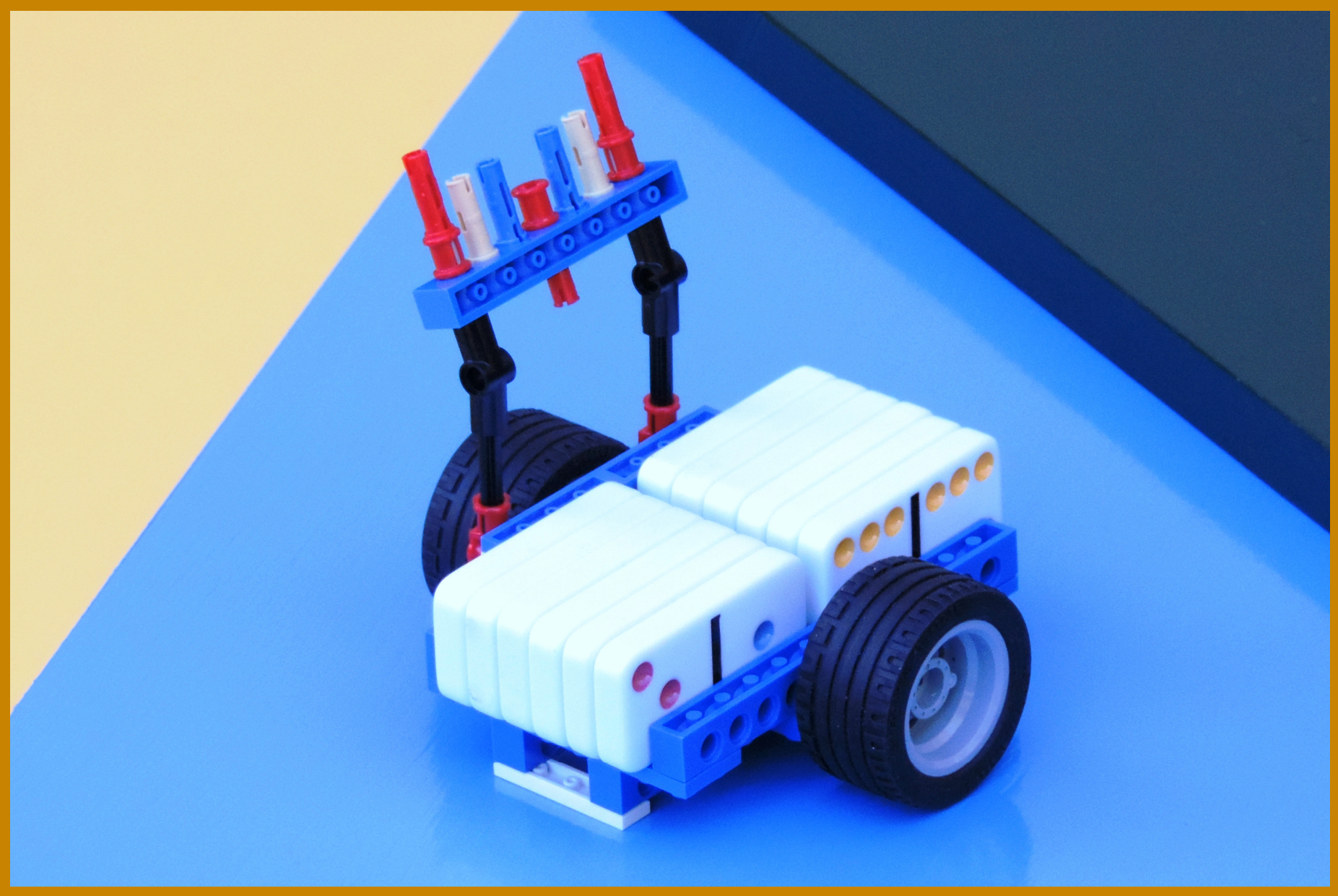
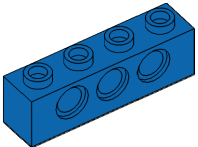
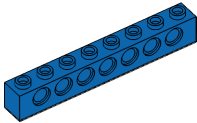
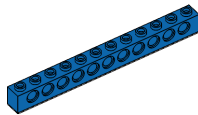
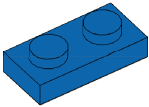
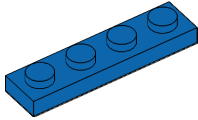
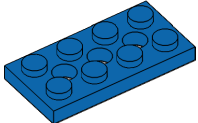
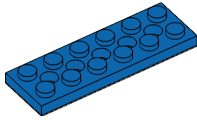
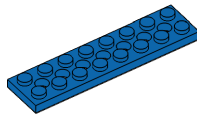
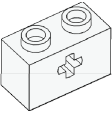
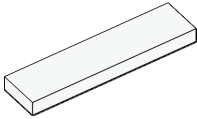
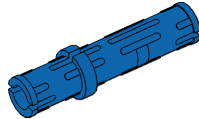
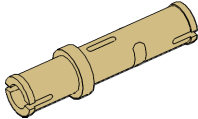
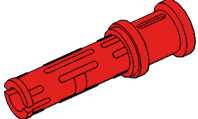
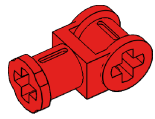

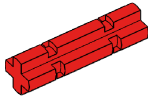
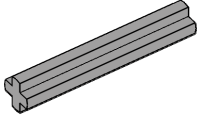

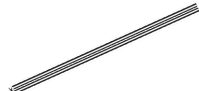

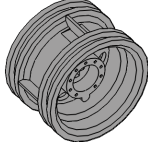

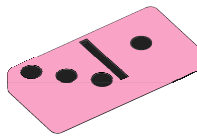


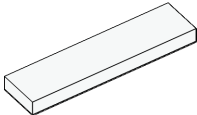
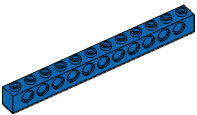
Abacus Carrier



Abacus Carrier

<p>1x</p>  <p>Brick 1x4 Holes Blue</p>	<p>1x</p>  <p>Brick 1x8 Holes Blue</p>	<p>4x</p>  <p>Brick 1x12 Holes Blue</p>	<p>4x</p>  <p>Plate 1x2 Blue</p>	<p>2x</p>  <p>Plate 1x4 Blue</p>	<p>2x</p>  <p>Plate 2x4 Holes Blue</p>	<p>2x</p>  <p>Plate 2x6 Holes Blue</p>	<p>2x</p>  <p>Plate 2x8 Holes Blue</p>
<p>2x</p>  <p>Brick 1x2 Axle Hole White</p>	<p>2x</p>  <p>Plate 1x4 Tile White</p>		<p>2x</p>  <p>Pin - Long Slots Blue</p>	<p>2x</p>  <p>Pin - Long Tan</p>	<p>3x</p>  <p>Pin - Long Axle Hole Red</p>	<p>2x</p>  <p>Connector 1x2 90 Degree Red</p>	<p>2x</p>  <p>Connector 30 Degree Black</p>
<p>2x</p>  <p>Axle 2 Notched Red</p>	<p>2x</p>  <p>Axle 3 Light Gray</p>	<p>2x</p>  <p>Axle 4 Black</p>	<p>1x</p>  <p>Axle 12 Black</p>		<p>2x</p>  <p>Gear - 8 Tooth Dark Gray</p>		
<p>2x</p>  <p>Wheel - Rim Large Light Gray</p>	<p>2x</p>  <p>Wheel - Tire Large Black</p>					<p>12x</p>  <p>DigBot</p>	

Abacus Carrier

<p>1 of 14</p>	<p>2x</p>  <p>Plate 1x4 Tile White</p>	<p>2x</p>  <p>Brick 1x12 Holes Blue</p>	
---------------------------	---	--	--

Abacus Carrier

2
of 14

2x

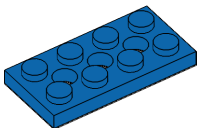
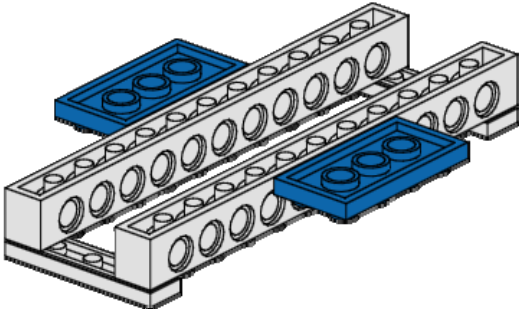
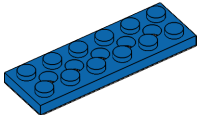
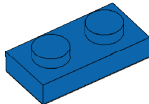
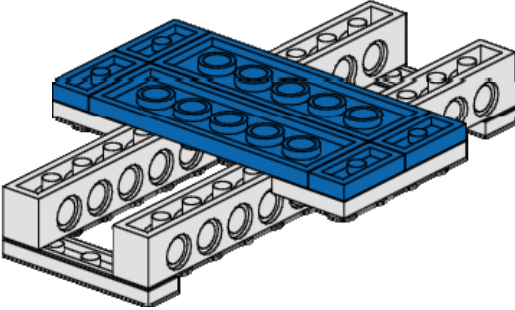


Plate 2x4
Holes
Blue



Abacus Carrier

<p>3 of 14</p>	<p>2x</p>  <p>Plate 2x6 Holes Blue</p>	<p>4x</p>  <p>Plate 1x2 Blue</p>	
--------------------	---	---	--



Abacus Carrier

4
of 14

2x

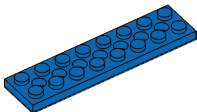
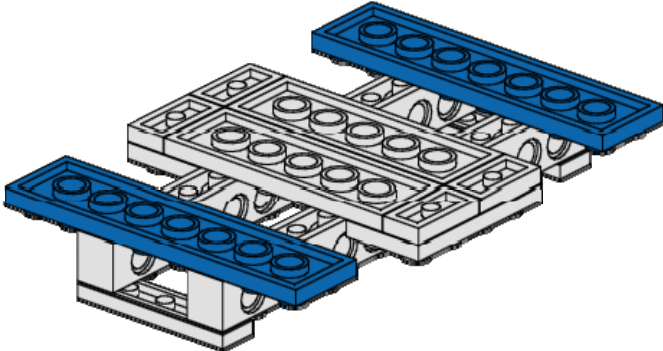


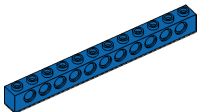
Plate 2x8
Holes
Blue



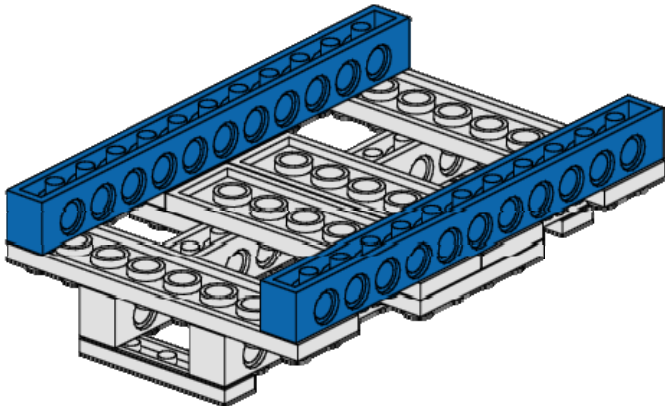
Abacus Carrier

5
of 14

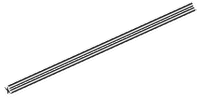

2x



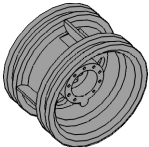

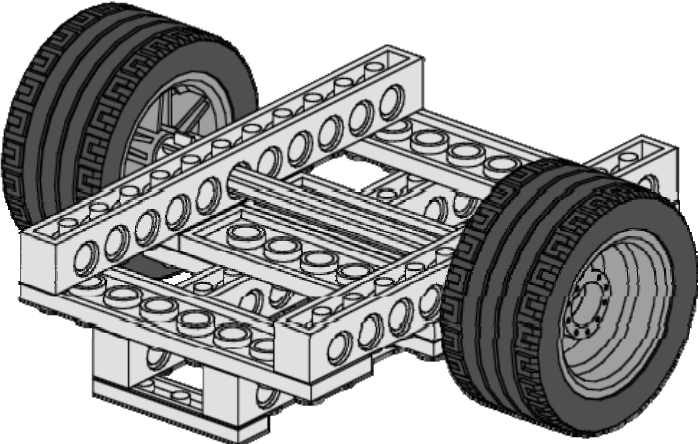
Brick 1x12
Holes
Blue



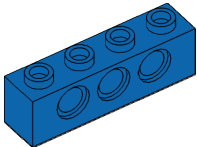
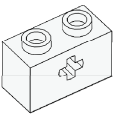
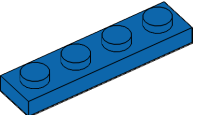
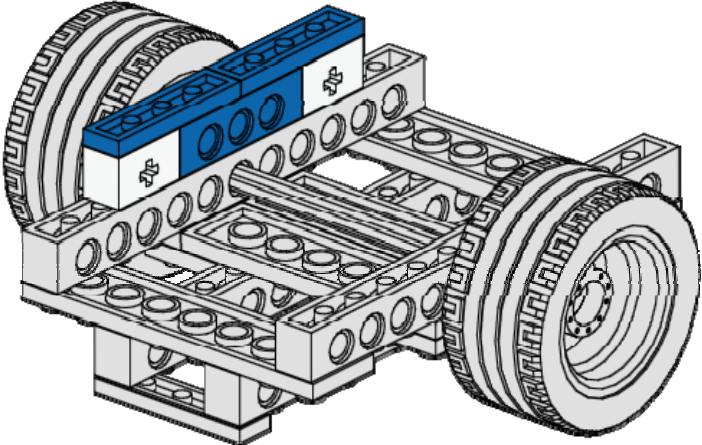
Abacus Carrier

<p>6 of 14</p>	<p>1x</p>  <p>Axle 12 Black</p>	<p>2x</p>  <p>Gear - 8 Tooth Dark Gray</p>	
--------------------	--	---	--

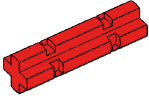
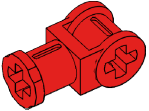
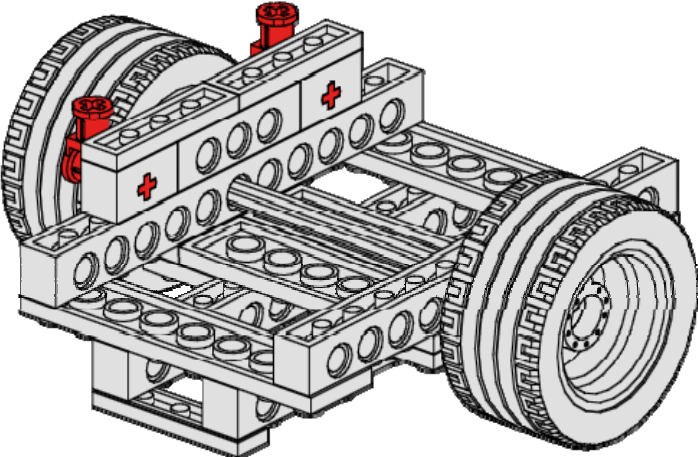
Abacus Carrier

<p>7 of 14</p>	<p>2x</p>  <p>Wheel - Rim Large Light Gray</p>	<p>2x</p>  <p>Wheel - Tire Large Black</p>	
			



Abacus Carrier

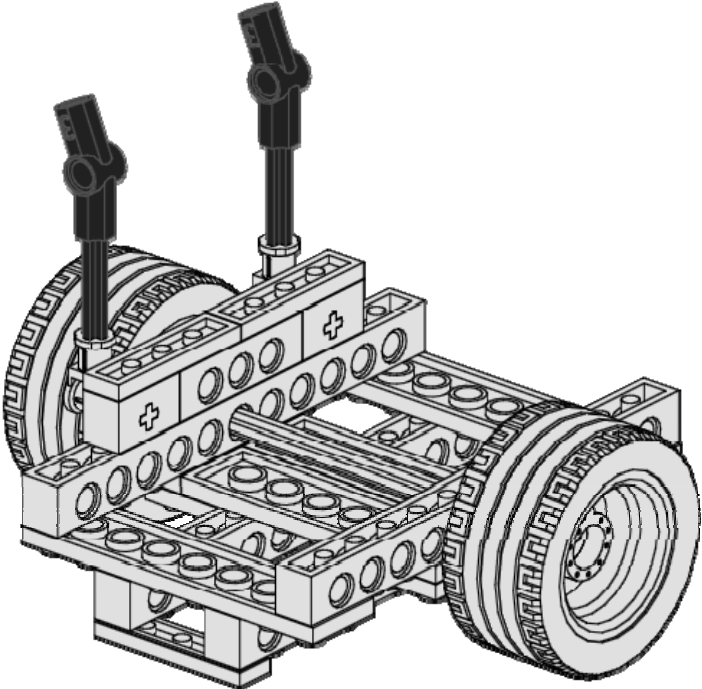
<p>8 of 14</p>	<p>1x</p>  <p>Brick 1x4 Holes Blue</p>	<p>2x</p>  <p>Brick 1x2 Axle Hole White</p>	<p>2x</p>  <p>Plate 1x4 Blue</p>	
				

Abacus Carrier

<p>9 of 14</p>	<p>2x</p>  <p>Axle 2 Notched Red</p>	<p>2x</p>  <p>Connector 1x2 90 Degree Red</p>	
			

Abacus Carrier

<p>10 of 14</p>	<p>2x</p>  <p>Axle 4 Black</p>	<p>2x</p>  <p>Connector 30 Degree Black</p>	
---------------------	---	--	--

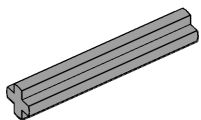


The diagram illustrates the assembly of the Abacus Carrier. It shows a complex LEGO structure with two large gears. Two black axles are being inserted into the structure. Each axle is secured with a black 30-degree connector. The axles are positioned to engage with the gears, which are part of a larger mechanism. The structure is built using various LEGO bricks and connectors, including a 1x6 Technic brick with a cross symbol and a 1x4 Technic brick with a cross symbol.

Abacus Carrier

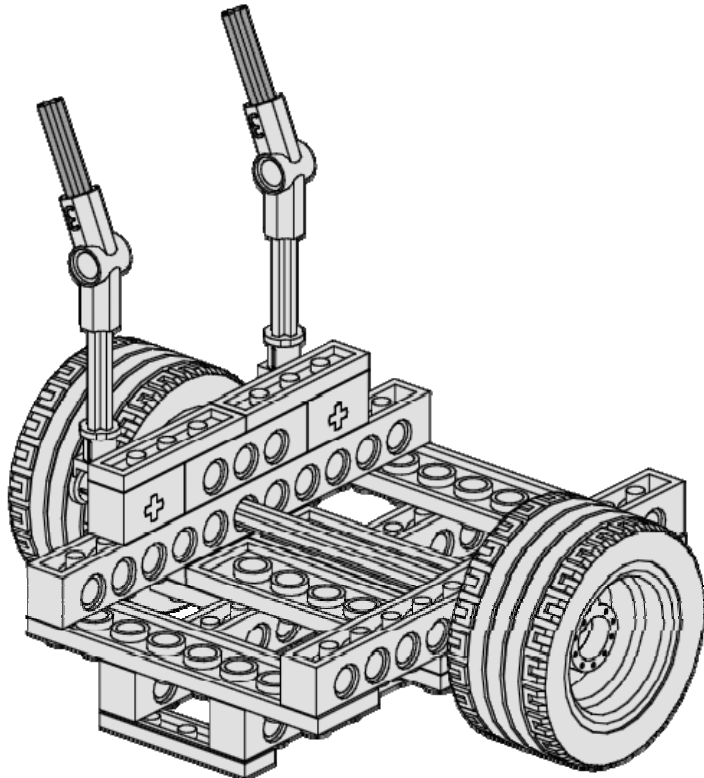
11
of 14

2x

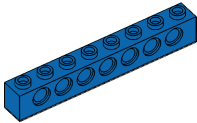
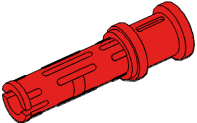


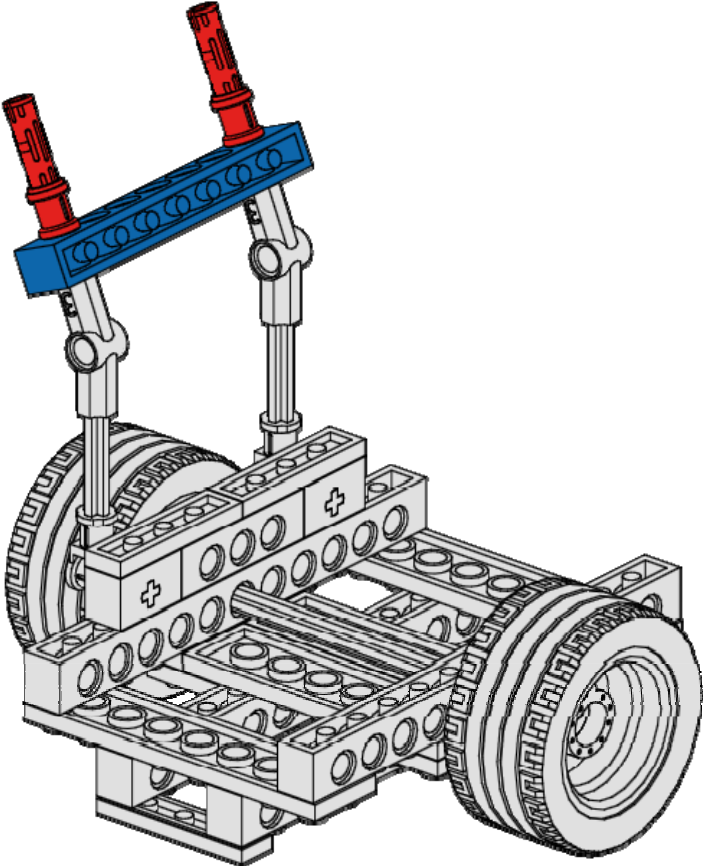
Axle 3

Light Gray



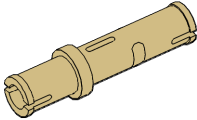
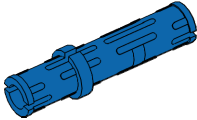
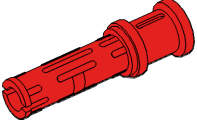
Abacus Carrier

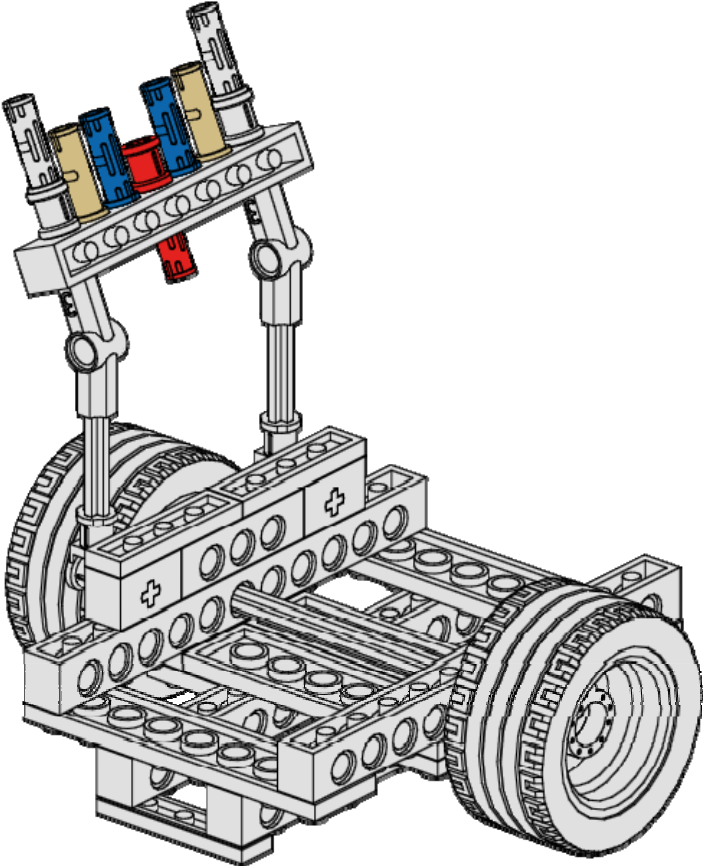
<p>12 of 14</p>	<p>1x</p>  <p>Brick 1x8 Holes Blue</p>	<p>2x</p>  <p>Pin - Long Axle Hole Red</p>	
---------------------	---	---	--



The diagram illustrates the assembly step. A blue 1x8 brick is being placed on top of a grey frame. Two red pins are being inserted into the holes of the brick. The pins are also inserted into the frame. The frame includes two gears on the right side and a central axle. The pins are positioned to secure the brick to the frame.

Abacus Carrier

<p>13 of 14</p>	<p>2x</p>  <p>Pin - Long Tan</p>	<p>2x</p>  <p>Pin - Long Slots Blue</p>	<p>1x</p>  <p>Pin - Long Axle Hole Red</p>	
---------------------	---	--	--	--

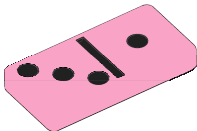


The diagram illustrates the assembly step for the Abacus Carrier. It shows a grey LEGO Technic sub-assembly with two large gears. A horizontal grey Technic beam is positioned across the top of the mechanism. Four pins are being inserted into the holes of this beam: a tan pin, a blue pin, a red pin, and another tan pin. The red pin is specifically being inserted into the axle hole of the mechanism.

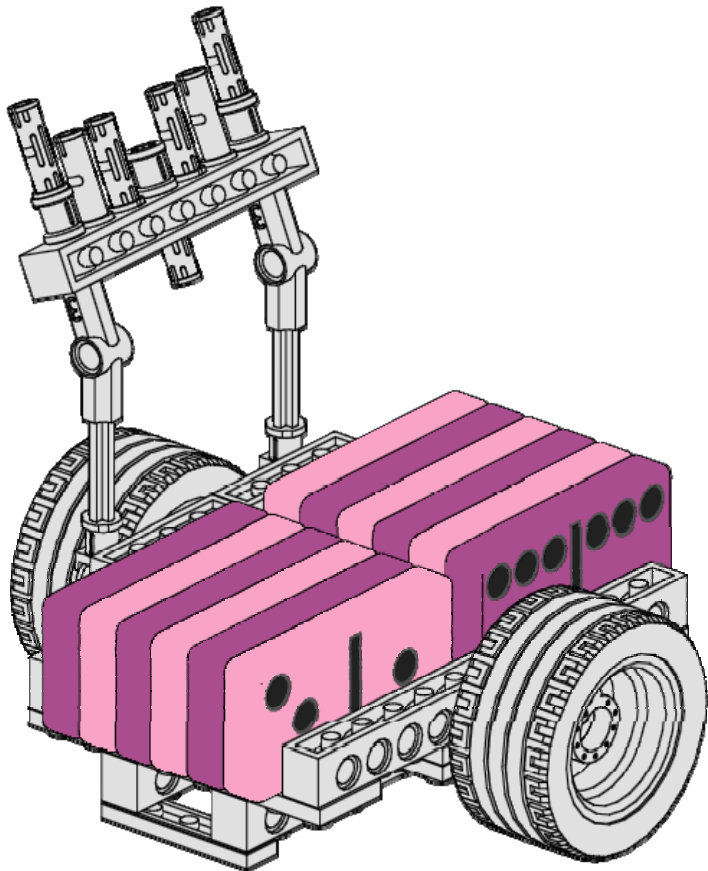
Abacus Carrier

14
of 14

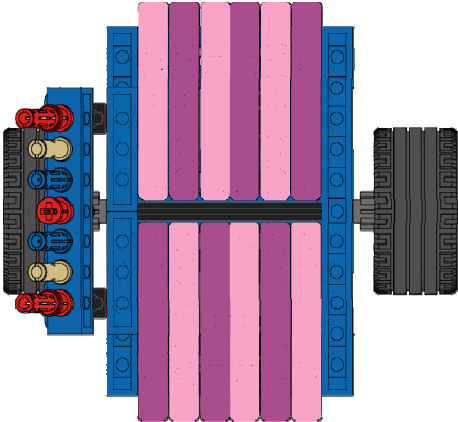
12x



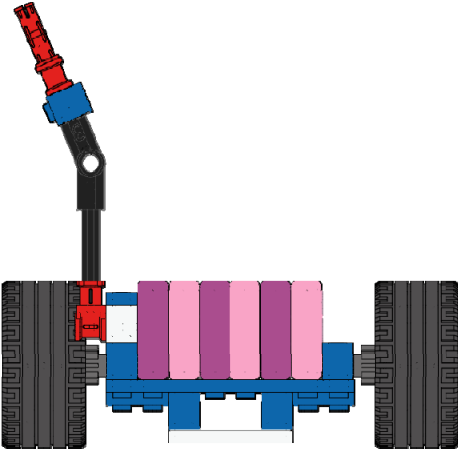
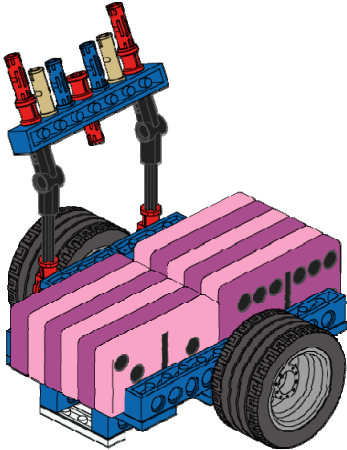
DigBot



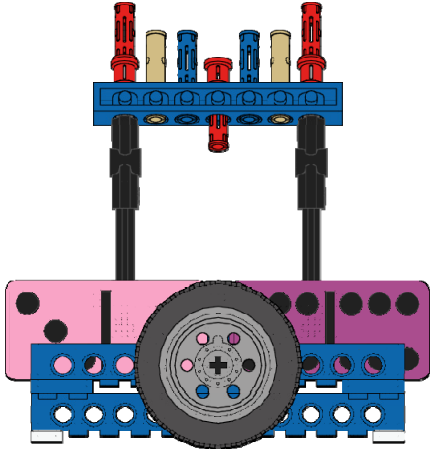
Abacus Carrier



Top View



Front View



Side View